

**BREMER COUNTY, IOWA SUBDIVISION ORDINANCE
(UNINCORPORATED AREAS)**

ORDINANCE NUMBER 22-06

AN ORDINANCE REPEALING ORDINANCE NUMBER V, CHAPTER 4 OF THE BREMER COUNTY CODE OF ORDINANCES AND ANY AMENDMENTS THERETO; AND ENACTING IN LIEU THEREOF A NEW ORDINANCE ENTITLED THE BREMER COUNTY, IOWA SUBDIVISION ORDINANCE, ORDINANCE NUMBER 22-06.

THE FOLLOWING SUBDIVISION ORDINANCE IS ENACTED AS NEW ORDINANCE NUMBER 22-06, AND SHALL BE KNOWN AS THE, "BREMER COUNTY, IOWA SUBDIVISION ORDINANCE". THIS IS AN ORDINANCE CREATING SUBDIVISION REGULATIONS FOR THE PURPOSE OF PROTECTING HEALTH, WELFARE, AND PUBLIC SAFETY IN THE UNINCORPORATED AREAS OF BREMER COUNTY, IOWA.

PUBLIC HEARING AND RECOMMENDATION FOR ADOPTION BY
THE BREMER COUNTY PLANNING & ZONING COMMISSION

ON:
April 19, 2022

ADOPTED BY
THE BREMER COUNTY BOARD OF SUPERVISORS

ON:
Public Hearing and First Reading: May 9, 2022
Second Public Hearing and Second Reading: May 16, 2022
Third Public Hearing and Final Reading: May 31, 2022

EFFECTIVE DATE:
June 8, 2022

PREPARED BY THE
IOWA NORTHLAND REGIONAL COUNCIL OF GOVERNMENTS

TABLE OF CONTENTS

Section	Page
5-4-1 Title and Purpose.....	1
5-4-2 Definitions.....	1
5-4-3 General Provisions.....	6
5-4-4 Subdivision Design Standards.....	7
5-4-5 Preliminary Plat Requirements and Procedures (Major Subdivision).....	15
5-4-6 Final Plat Requirements and Procedures (Major Subdivision).....	18
5-4-7 Minor Subdivision Requirements and Procedures.....	21
5-4-8 Agricultural Subdivision Plat Requirements and Procedures.....	22
5-4-9 Places.....	25
5-4-10 Issuance of Building Permits and Certificates of Occupancy.....	26
5-4-11 Vacation of Plats, Streets, and Other Private Lands.....	26
5-4-12 Fees.....	27
5-4-13 Variations and Exceptions.....	28
5-4-14 Enforcement.....	28
5-4-15 Subdivision Ordinance Changes and Amendments.....	28
5-4-16 Repealer.....	29
5-4-17 Severability.....	29
5-4-18 Procedural Guidelines for Subdivision Platting in the Unincorporated Areas of Bremer County.....	29
5-4-19 Effective Date.....	33

LIST OF FIGURES

Figure	Page
1. Typical Driveway Cross-Section.....	3
2. Typical Rural Road Cross-Section (Pavement with Open Ditches).....	13
3. Typical Urban Road Cross-Section (Pavement with Curb and Gutter).....	13
4. Typical Private Street Cross-Section.....	14

5-4-1 **TITLE AND PURPOSE**

Title: Bremer County, Iowa, Subdivision Ordinance.

This Ordinance shall be known and may be cited and referred to as the "Bremer County, Iowa, Subdivision Ordinance". This is an ordinance repealing **Ordinance Number V Chapter 4** of the Bremer County Code of Ordinances and any amendments thereto; and enacting in lieu thereof a new ordinance entitled the Bremer County, Iowa Zoning Ordinance, ordinance number 22-06.

Purpose

To provide procedures and guidance for the approval of subdivisions, resubdivision, or dedications in the unincorporated areas of Bremer County; prescribing minimum standards for the design layout and development thereof; providing for the preliminary and final approval or disapproval thereof; providing for the enforcement and penalties for the violation thereof; all for the purpose of promoting the adequacy, safety and efficiency of the street and road system, and for the purpose of improving the health, safety, and general welfare of the citizens; and repealing all other ordinances or resolutions in conflict herewith. This Ordinance is permitted and specifically authorized in Chapter 354, Platting - Division and Subdivision of Land, Code of Iowa, as amended.

5-4-2 **DEFINITIONS**

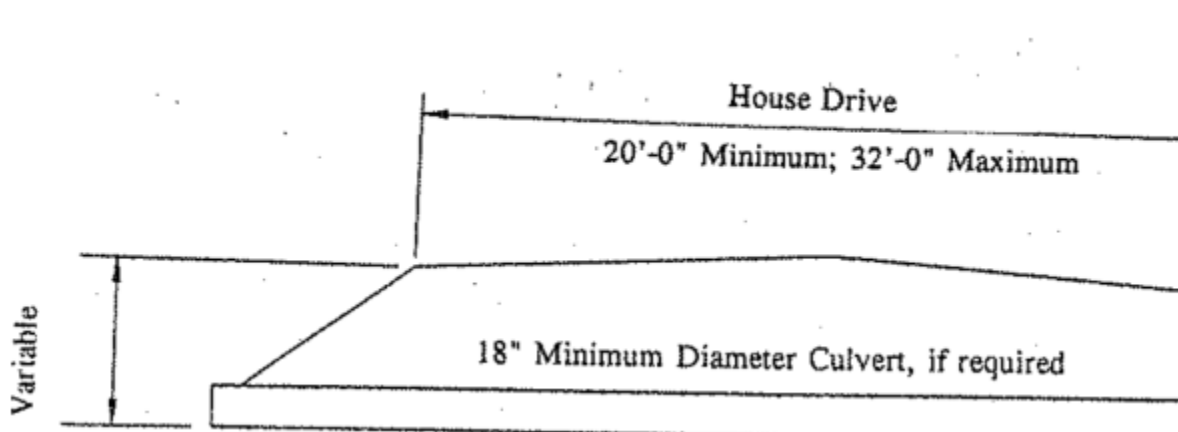
For the purpose of this Ordinance, certain words and terms are hereby defined. Words used in the present tense shall include the future, the singular number shall include the plural and the plural the singular; the word shall is mandatory; the word may is permissive.

1. Acquisition Plat: The graphical representation of the division of land or rights in land, created as a result of a conveyance or condemnation for right-of-way purposes by an agency of the government or other persons having the power of eminent domain.
2. Aliquot Part: A fractional part of a section within the United States public land survey system. Only the fraction parts one-half (1/2), one-quarter (1/4), one-half (1/2) of one-quarter (1/4), or one-quarter (1/4) of one-quarter (1/4) shall be considered an aliquot part of a section.
3. Alley or Lane: A public or private way not less than twenty (20) feet nor more than thirty-three (33) feet wide affording generally secondary means of access to abutting property and not intended for general traffic circulation.
4. Auditor's Plat: A subdivision plat required by either the County Auditor or the County Assessor, prepared by a surveyor under the direction of the County Auditor.
5. Board/Board of Supervisors: The Board of Supervisors of Bremer County, Iowa.
6. Block: An area of land within a subdivision that is entirely bounded by streets,

highways or ways, except alleys, and the exterior boundary or boundaries of the subdivision.

7. Building Line: Building lines shall be shown on all lots whether intended for residential, commercial, or industrial use. Such building lines shall not be less than required by the Zoning Ordinance of Bremer County, Iowa.
8. Commission/Planning and Zoning Commission: The Bremer County Planning and Zoning Commission.
9. Conveyance: An instrument filed with the County Recorder as evidence of the transfer of title to land, including any form of deed or contract.
10. County: Bremer County, Iowa.
11. Cul-de-sac: A street having one end open to motor traffic, the other end being permanently terminated by a vehicular turn-a-round.
12. Developer: The legal or beneficial owner or owners of a lot or of any land included in a proposed development including the holder of an option or contract to purchase, or other persons having enforceable proprietary interests in such land.
13. Development: Any man-made change to improved or unimproved real estate, including but not limited to buildings or other structures, mining, dredging, filling, grading, paving, excavation or drilling operations.
14. Division: Dividing a tract or parcel of land into two (2) parcels of land by conveyance or for tax purposes. The conveyance of an easement, other than a public highway easement, shall not be considered a division for the purposes of this Ordinance.
15. Driveway: A private property access to either a private or public street, road, alley, highway, or freeway. A typical driveway cross-section is shown in [Figure 1](#).

Figure 1: Typical Driveway Cross-Section*.



* Or current standard available in the Bremer County Engineer's Office.

16. Easement: A grant by the property owner of the use for a specific purpose of a strip of land by the general public, a corporation, or a certain person or persons, and within the limits of which the owner shall not erect any permanent structures but shall have the right to make any other use of the land subject to such easements which is not inconsistent with the rights of the grantee. Public utilities shall have the right to trim or remove trees, which interfere with the use of such easements.
17. Engineer: An engineer is a registered civil engineer authorized and licensed to practice engineering in the State of Iowa.
18. Farm: An area comprising twenty (20) contiguous acres, exclusive of streets and roads, or more which is used primarily for agricultural purposes and the growing and production of all agricultural products thereon, and their storage on the area, or for the raising thereon of livestock.
19. Farmstead: The buildings and adjacent service areas of a farm, including sites where the buildings have been removed provided the land has not been cultivated.
20. Final Plat: The final map or plan of record of a subdivision and any accompanying material, as described in Section 6.
21. Improvements: Addition of any facility or construction on land necessary to prepare land for building sites including road paving, drainage ways, sewers, water mains, wells, and other works and appurtenances.
22. Lot: For the purposes of this ordinance, a lot is a parcel of land of sufficient size to meet minimum zoning requirements for use, coverage and area to provide such yards and other open space as are herein required. Said lot shall have frontage on

or access to a public street or private street and may consist of:

- a. A single lot of record;
 - b. A portion of a lot of record;
 - c. A combination of complete lots of record, or complete lots of record and portions of lots of record, or of portions of lots of record;
 - d. A parcel of land described by metes and bounds, provided that in no case of division or combination shall any residual lot or parcel be created which does not meet the requirements of this ordinance.
23. Major Subdivision: All subdivisions not classified as minor subdivisions, including, but not limited to, any size subdivision requiring any new public or private street, extension of local government facilities, or the creation of any public improvements.
24. Metes and Bounds: The method used to describe a tract of land that uses distance and angles, uses distances and bearings, or describes the boundaries of the parcel by reference to survey monuments or physical features of the land.
25. Minor Plat: A plat replacing a preliminary and final subdivision plat in the case of minor subdivisions to enable the subdivider to save time and expense in reaching a general agreement as to the form of the plat and the objectives of [Section 7](#).
26. Minor Subdivision: Any subdivision which contains or creates not more than two (2) parcels fronting an existing road, not involving any new road or street, or the extension of municipal facilities or the creation of any public improvements or the dedication of lands to the county, and not adversely affecting the remainder of the parcel or adjoining property and not in conflict with any provision of the Comprehensive Plan, Zoning Ordinance, or this Ordinance may be classified as a minor subdivision and must meet the appropriate provisions of this Ordinance.
27. Non-residential Subdivision: A subdivision whose intended use is other than residential, such as commercial or industrial. Such subdivision shall comply with the applicable provisions of this Ordinance.
28. Official Plat: Either an Auditor's plat or a major or minor subdivision plat that meets the requirements of the Code of Iowa and has been filed for record in the offices of the County Recorder, County Auditor, and County Assessor.
29. Owner: The legal entity holding title to the property being subdivided, or such representative or agent as is fully empowered to act on its behalf.
30. Parcel: A part of a tract of land.
31. Permanent Real Estate Index Number: A unique number or combination of numbers assigned to a parcel of land pursuant to Section 441.29 of the Code of

Iowa.

32. Plat: A map, drawing, or chart, on which the subdivider's plan of the subdivision is presented and which he submits for approval and intends in final form to record.
33. Preliminary Plat: The proposed map or plan of record of a subdivision and any accompanying material, as described in Section 5.
34. Resubdivision: A change in a map of an approved or recorded subdivision plat if such change affects any street layout on such map or area reserved thereon for public use or any lot line, or if such a change affects any map or plan legally recorded prior to the effective date of this Ordinance.
35. Street Line: A dividing line between a lot, tract or parcel of land and a contiguous street.
36. Street, Road, Drive, Alleys, or Entrance (Private): All property intended for use by vehicular traffic, but not dedicated to the public nor controlled and maintained by a political subdivision.
37. Street, Road, Alleys, Drive or Entrance (Secondary Road System): All property intended for use by vehicular traffic which has been dedicated to the public and meets requirements of the Code of Iowa and has been accepted into the county system by the Board of Supervisors.
38. Subdivider: The owner of the property being subdivided, or such other person or entity empowered to act on the owner's behalf.
39. Subdivision: Any land, vacant or improved, which is divided or proposed to be divided into two (2) or more lots, parcels, sites, units, plots, or interests for the purpose of sale, including a sale on contract or the making of a gift, or lease, or development, including resubdivision. 'Subdivision' includes the division or development of residential or non-residential zoned land, whether by deed, sale on contract, devise, intestate succession, lease, map, plat, or other recorded instrument.
40. Subdivision Agent: Any person who represents, or acts for or on behalf of a subdivider or developer, in selling, leasing or developing, or offering to sell, lease or develop any interest, lot, parcel, unit, site or plat in a subdivision.
41. Subdivision Plat: The geographical representation of the subdivision of land, prepared by a registered land surveyor, having a number or letter designation for each lot within the plat and a succinct name or title that is unique for the County where the land is located.
42. Surveyor: A registered land surveyor authorized and licensed to practice surveying in the State of Iowa, pursuant to Chapters 355 and 542B of the Code of Iowa.
43. Tract: An aliquot part of a section, a lot within an official plat, or a government lot.

44. Zoning Administrator: The administrative officer designated or appointed by the Board of Supervisors to administer and enforce the regulations contained in this Ordinance.

5-4-3 GENERAL PROVISIONS

1. Application. This Ordinance shall apply to all plats, replats, and divisions of land into parcels, any of which are less than thirty-five (35) acres or the aliquot part one-quarter (1/4) of one-quarter (1/4) section, and lying in the unincorporated area of Bremer County, Iowa, including the subdivision of land within two (2) miles of any city. The division of land which can be adequately described by not less than the aliquot parts of one half (1/2) of one-quarter (1/4) of one-quarter (1/4) section shall not be subject to these regulations. The provisions of this Ordinance shall apply to the division of any lot or parcel of land entered of record in the office of the County Recorder as a single lot or parcel after the effective date of this Ordinance.
2. Plats within Two Miles of a City or Town. For preliminary and final plats of land within two (2) miles of a city or town which has adopted ordinances regulating divisions of land within and outside of the city's boundaries, up to a limit of two (2) miles, the plats shall be filed by the developer or their agent with the municipality in accordance with the provisions of Sections 354.9 and 354.10 of the 2022 Code of Iowa or its successor, prior to or at the same time as filing with the County. Approval by one (1) political entity does not automatically constitute approval by the others unless the political entities have so agreed.
3. Subdivision Classification. Any proposed subdivision or re-subdivision shall be classified as a minor subdivision or a major subdivision by the Zoning Administrator. To aid in this, the subdivider shall submit in writing or other appropriate documentation the principle features of access, relationship and location of existing roads, proposed water and sanitary sewer systems, public utilities and improvements, the number and location of the proposed lots and other pertinent data or information. Any subdivision may be classified as a major subdivision at the subdivider's request.
4. Zoning. Any property proposed for subdivision shall be correctly zoned to accommodate the proposed use(s) before the subdivision process is begun.
5. Review by Agencies. All plats shall be submitted to the Zoning Administrator for review prior to recording. The Zoning Administrator shall refer one (1) copy each to the: County Auditor, County Assessor, County Engineer, and County Board of Health offices. Each of the aforementioned offices shall examine the plat as to its compliance with the ordinances and regulations of Bremer County, as well as the State of Iowa, and submit their findings to the Zoning Administrator as soon as is possible, but within ten (10) days of receipt of the copy.
6. Waiver of Provisions. Throughout the process, the Bremer County Board of Supervisors retains authority to waive or modify by formal Resolution on a case-

by-case basis each and any provision of this general ordinance upon a finding that such waiver or modification is consistent with applicable Sections of the Code of Iowa and that such waiver or modification will facilitate development without undue harm to the overall public interest.

5-4-4 SUBDIVISION DESIGN STANDARDS

The standards and details of design herein contained are intended only as the minimum requirements so that the general arrangement and layout of a subdivision may be adjusted to a wide variety of circumstances. However, in the design and development of the plat, the subdivider should use standards consistent with the site conditions so as to assure an economical, pleasant and desirable neighborhood, and shall conform with design standards as approved by the Board of Supervisors.

1. GENERAL REQUIREMENTS

A. LAND SUITABILITY

No land shall be subdivided for residential purposes which is found to be unsuitable for subdividing by reason of flooding, ponding, poor drainage, adverse soil conditions, adverse geological formations, unsatisfactory topography or other features likely to be harmful to the health, safety or general welfare unless such unsuitable conditions are corrected to the satisfaction of the County.

(1) If a subdivision is found to be unsuitable for any of the reasons cited in this section the Planning and Zoning Commission shall state its reasons in writing and afford the subdivider an opportunity to present data regarding such unsuitability. Thereafter, the Planning and Zoning Commission may re-affirm, modify or withdraw its determination of unsuitability.

(2) Flood land. All lots located within a flood plain shall contain adequate area above the elevation of flooding for essential and planned installations. The disposition of all land in a subdivision which lies in a flood plain shall be as follows:

aa. Included within individual lots in the subdivision, or

bb. Reserved in open space for use by all owners of lots in the subdivision with an appropriate instrument providing for its care by such owners.

(3). Subdivisions (including mobile home parks and subdivisions) shall be consistent with the need to minimize flood damages and shall have adequate drainage provided to reduce exposure to flood damage. Development associated with subdivision proposals shall

meet the applicable performance standards. Subdivision proposals intended for residential development shall provide all lots with a means of vehicular access that will remain dry during occurrence of a one hundred (100) year flood.

B. STREETS

- (1) Private Streets. Private streets, not dedicated to and accepted by the County, that are proposed after the effective date of this Ordinance are discouraged. If private streets are utilized, they shall be platted as such and be under the control of the subdivision, homeowners association, and/or subdivider. Private streets may be built according to the minimum standards outlined in Figure 4 and Section 4(4)(A).
- (2) Continuation of Existing Streets. Proposed streets shall provide for continuation or completion of any existing streets (constructed or recorded) in adjoining property, at equal or greater width, but not less than a sixty-six (66) foot right-of-way width, and in similar alignment, unless variations are recommended by the Planning & Zoning Commission and approved by the Board of Supervisors
- (3) Circulation. The street pattern shall provide ease of circulation within the subdivision as well as convenient access to adjoining streets, thoroughfares, or unsubdivided land as may be required by the Planning and Zoning Commission. In a case where a street will eventually be extended beyond the plan but is temporarily dead-ended, an interim turn-a-round shall be required.
- (4) Street Intersections. Street intersections shall be as near to right angles as possible.
- (5) Cul-de-sac. Whenever a cul-de-sac is permitted, such street shall be no longer than six hundred (600) feet and shall be provided at the closed end with a turn-a-round having a street property line diameter of at least one hundred twenty (120) feet in the case of residential subdivisions. The right-of-way width of the street leading to the turn-a-round shall be a minimum of sixty-six (66) feet. The property line at the intersection of the turn-a-round and the lead-in portion of the street shall be rounded at the radius of not less than thirty (30) feet. A paved cul-de-sac without curb and gutter shall have a minimum paved diameter of eighty-two (82) feet with a minimum shoulder width of four (4) feet of rock. A paved cul-de-sac with concrete curb and gutter shall have a minimum paved diameter of eighty-eight (88) feet measured from the back of curb to back of curb.
- (6) Street Names. All newly platted streets shall be named in a manner consistent with the present street name system. A proposed

street that is obviously in alignment with other existing streets, or with a street that may be logically extended though the various portions be at a considerable distance from each other, shall bear the same name. New street names shall be subject to Auditor's review and the approval of the Planning and Zoning Commission and Board of Supervisors so as to avoid duplication or similarity of names.

(7) Physical and Cultural Features. In general, streets shall be platted with appropriate regard for topography, creeks, wooded area, and other natural features which would lend themselves to attractive treatment.

(8) Half Streets. Dedication of half streets will be prohibited unless there exists a dedicated or platted half street or alley adjacent to the tract to be subdivided, the other half shall be platted if deemed necessary by the Planning and Zoning Commission.

(9) Alleys. Alleys may be required in business areas and industrial districts for adequate access to block interiors and for off-street loading and parking purposes. Except where justified by unusual conditions, alleys will not be approved in residential districts. Dead-end alleys shall be provided with a means of turning around at the dead-end thereof.

(10) Easements.

a. Easements for utilities, when necessary, shall be provided along rear or side lot lines or along alleys. The width of such easement shall be not less than ten (10) feet in total width. In the event that there exists an easement in an adjacent subdivision, the ten (10) foot requirement may be reduced to five (5) feet to allow for a minimum ten (10) foot total easement.

b. Whenever a subdivision is traversed by a water course, channel, drainage way or stream, storm water drainage structure, a storm water easement or drainage easement may be required. The width of such easement shall be adequate for the anticipated drainage but not less than thirty (30) feet and shall be shown on the plat.

c. Any lot that has no frontage upon a public or private street shall be provided with an easement for access to a public or private street. The width of such easement shall not be less than thirty-three (33) feet.

d. Easements to the County for road purposes shall not be allowed.

11. Neighborhood Plan. If any overall plan has been made by the Commission for the neighborhood in which the proposed subdivision is located, the street system of the latter shall conform in general thereto.

12. Unsubdivided Portion of Plat. Where the plat to be submitted includes only part of the tract owned by the subdivider, the Planning and Zoning Commission may require a sketch of the prospective future system of the unsubmitted part. The street system of the part submitted shall be correlated with the street system of the part not submitted.

13. Major Thoroughfares. Where a new subdivision, except where justified by limiting conditions, involves frontage on a heavy traffic way, limited access way, freeway, or parkway, the street layout shall provide motor access to such frontage by one of the following means:

a. Be so arranged as to permit, where necessary, future grade separations at highway crossings.

b. Border the highway with a parallel street at a sufficient distance from it to permit deep lots to go back onto the highway; or form a buffer strip for park, commercial, or industrial use.

14. Street Right-of-Way Width. The width of minor or residential street right-of-way shall not be less than sixty-six (66) feet.

15. Street Alignments. Streets and alleys shall be completed to grades which have been officially determined or approved by the Board of Supervisors. All streets shall be graded to within two (2) feet of the right-of-way and adjacent sides slopes graded to blend with the natural ground level. The maximum grade shall not exceed seven (7) percent for main and secondary thoroughfares, or eight (8) percent for minor or local service streets. All street alignments, both horizontally and vertically, shall meet design criteria as specified in the current American Association of State Highway and Transportation Officials (AASHTO) Policy on Geometric Design of Highways and Streets.

16. Culverts and Crossroad Drainage Structures. Driveway culverts shall be designed for a twenty-five (25) year flood, or a minimum of eighteen (18) inches in diameter. Crossroad drainage structures shall be designed for a fifty (50) year flood, or a minimum of twenty-four (24) inches in diameter.

2. BLOCKS

A. No Block shall be longer than one thousand three hundred twenty (1,320) feet.

B. At street intersections, block corners shall be rounded with a radius of not less than twenty-five (25) feet. However, where a curve radius has been previously established, such radius shall be used as standard if greater than twenty-five (25) feet.

3. LOTS

A. Corner lots shall have a minimum width that will permit required building setbacks on both front and side streets.

B. Double frontage lots, other than corner lots, shall be prohibited except where such lots back onto a major street or highway.

C. For the purpose of complying with minimum health standards and zoning requirements, the following minimum lot sizes shall be observed:

(1) Lots which cannot be reasonably served by a public sanitary sewer system and public water supply mains shall have a minimum width of one hundred fifty (150) feet, measured at the building line, and an area of not less than two (2) acres. On lots served by private on-site sewage disposal systems and private water supplies, the developer is encouraged to utilize a well-sharing system in order to maximize separation distances.

D. Side lot lines shall be approximately at right angles to the street or radial to curved streets. On large size lots and except when indicated by topography, lot lines shall be straight.

4. IMPROVEMENTS

A. STREETS AND ROADS

In addition to Section 4(1)(B), all streets or roads intended to be dedicated to public use and accepted into the County secondary road system shall meet the following criteria:

(1) All streets shall be put to grade and standard cross-section according to the plans approved by the County Engineer and Board of Supervisors prior to construction. Either a rural (see Figure 2) or urban (see Figure 3) type cross-section may be used. Both plan and profile view details shall be drawn to a scale of one-inch equals one hundred feet (1"=100') horizontal and one inch equals ten feet (1"=10') vertical.

(2) Paved streets without curb and gutter that incorporate open ditches as a

means of storm water drainage shall have a minimum surfaced width of twenty-four (24) feet with a minimum shoulder width of four (4) feet of rock (see Figure 2). Paved streets with concrete curb and gutter shall have a minimum width of thirty-one (31) feet measured from the back of curb to back of curb (see Figure 3).

- (3) All streets shall be paved with one of the following in accordance with specifications approved by the Board of Supervisors and County Engineer:
 - aa. Class B Portland Cement Concrete (PCC) paving with a minimum six (6) inch thickness with a three (3) percent crown measured from the centerline of the street to the gutter or shoulder of the road.
 - bb. Asphaltic Cement Concrete (ACC) paving with a minimum six and one-half (6.5) inch thickness of Type B asphaltic concrete with a three (3) percent crown measured from the centerline of the street to the gutter or shoulder of the road.

The sub-base shall be as follows:

 - (1) Sub-base course: four (4) inches of soil aggregate.
 - cc. Other alternative construction materials and specifications acceptable to the Board of Supervisors and County Engineer.
 - dd. All construction and materials shall conform to the current Iowa Department of Transportation standard specifications and special provisions.
- (4) Private streets not intended to be added to the secondary road system are to be surfaced with the same material so as to match the adjoining county road at the time of development.
- (5) Advance notice of construction is required.
- (6) All designs, specifications, materials, inspection results, and procedure shall be certified to the County Engineer by a duly registered engineer. All roads to be dedicated to the County shall be inspected by the County, with the cost of said inspection being reimbursed to the County.

Figure 2. Typical Rural Road Cross-Section (Pavement with Open Ditches).

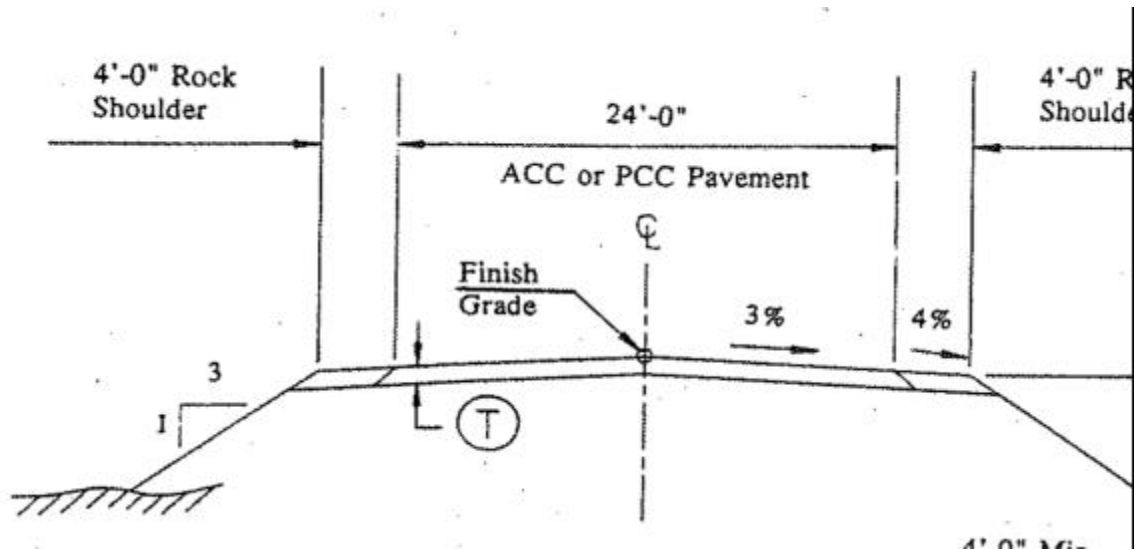


Figure 3. Typical Urban Road Cross-Section (Pavement with Curb and Gutter).

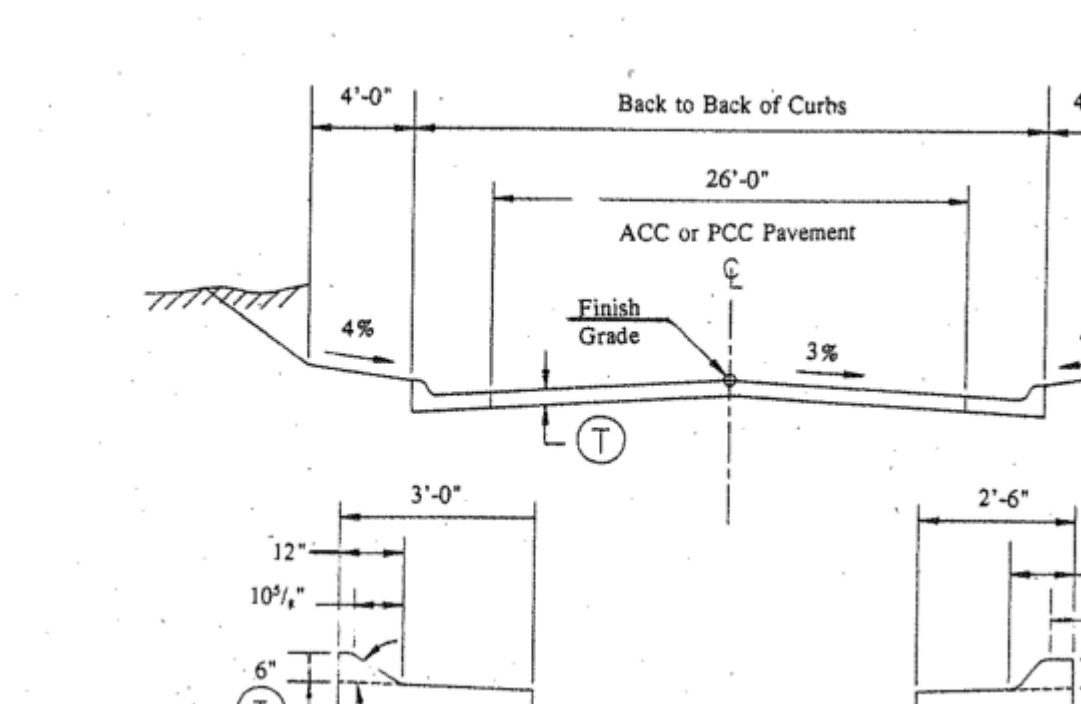
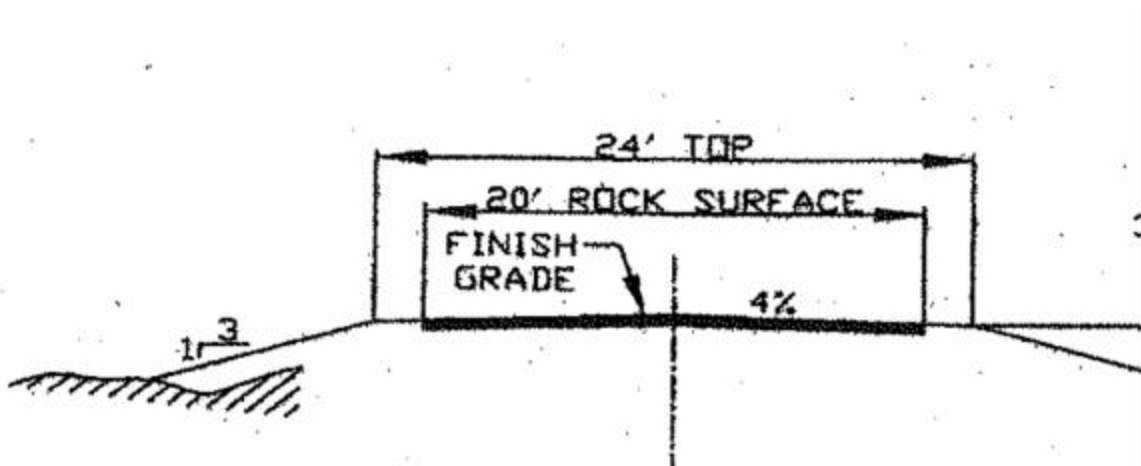


Figure 4. Typical Private Street Cross-Section.



B. UTILITY SERVICE SYSTEMS

- (1). Public sanitary sewers and water systems shall be installed within the street or right-of-way or established easements as required by the State and local ordinances.
- (2). Gas mains shall be installed within the street right-of-way or an established easement.
- (3). Electric and telephone lines shall be installed within the street right-of-way or established easements.
- (4). All utility service systems shall be subject to approval by the County Engineer and Board of Supervisors.

C. STORM DRAINAGE

- (1). Adequate storm sewers and inlets shall be provided where necessary.
- (2). Natural waterways shall be maintained and protected.
- (3). All storm water facilities shall be subject to approval by the County Engineer and Board of Supervisors.
- (4). If the development covers an area of one (1) or more acres, the applicant must have the necessary Iowa Department of Natural Resources permit(s).

D. UTILITY LOCATIONS

The proposed location, alignment and sizes of all utilities, whether

underground or overhead, and the type of street construction shall be shown on the preliminary plat. Approval of the preliminary plat will form the basis for final designs of all improvements.

All underground utilities to be located within the street right of way shall be constructed and service provided to each lot before paving of the street.

E. SIGNS AND TRAFFIC CONTROL DEVICES

To ensure uniformity with Bremer County's street signage system, all street name signs and traffic control signs shall be erected in conformance with the Manual of Uniform Traffic Control Devices (MUTCD) and the Bremer County E-911 Ordinance. The Developer will be responsible for all costs associated with sign erection. Maintenance of all signs will remain the responsibility of the developer until, or unless, the streets or roads are accepted into the Bremer County secondary road system.

F. MAILBOXES, INCLUDING NEWSPAPER BOXES

Mailboxes and mailbox construction shall conform to Bremer County Engineer and United States Postal Service standards.

G. PARKING

The depth and width of properties reserved and designed for residential, commercial, or industrial purposes shall be adequate to provide for the off-street parking and loading facilities required for the type of use and development contemplated, as established in the Bremer County Zoning Ordinance.

5-4-5 PRELIMINARY PLAT REQUIREMENTS AND PROCEDURES (MAJOR SUBDIVISION)

1. PRE-PRELIMINARY PLAN

Each subdivider of land is encouraged to confer with the Zoning Administrator before preparing the preliminary plat in order to become familiar with County regulations affecting the territory in which the proposed subdivision lies. A pre-preliminary plat may be presented at that time

2. NUMBER OF COPIES

Whenever the owner of any tract or parcel of land within the unincorporated area of the County wishes to subdivide or plat the same, he/she shall cause to be prepared a

preliminary plat of said subdivision, and shall submit six (6) copies of said preliminary plat and supportive information to the Zoning Administrator for preliminary study and approval.

3. REFERRAL OF PRELIMINARY PLAT

The Zoning Administrator shall refer one (1) copy each to the County Auditor, County Assessor, County Engineer, and County Board of Health. The developer or their agent shall provide one (1) copy of the preliminary plat to any City within two (2) miles of the subdivision for their comments and recommendations. Each of the aforementioned offices shall examine the plat as to its compliance with the laws and regulations of Bremer County and submit their findings to the Zoning Administrator as soon as possible, but within thirty (30) days.

4. CONTENTS OF PRELIMINARY PLAT

Preliminary plats shall contain, include, or show the following requirements.

- a. Name of subdivision, date, an arrow indicating the northern direction, and the legal description of the property being platted.
- b. Plats shall be drawn on sheets not larger than twenty-four (24) inches by thirty-six (36) inches. The scale of the plat, preferably one-inch equals one hundred feet (1"=100'), shall be clearly stated and graphically illustrated by a bar scale on every plat sheet. Larger subdivisions that require more than one (1) sheet shall show match lines and references.
- c. Name and address of recorded owner and developer, if different than the owner.
- d. Name and address of developer's engineer or surveyor, as well as the seal and certificate thereof.
- e. Existing buildings, railroads, utilities, and other rights-of-way.
- f. Location, names and widths of all existing and proposed roads, alleys, streets, and highways in or adjoining the area being subdivided.
 - g. Location and names of adjoining subdivisions as well as a list of property owners within five hundred (500) feet of the property to be subdivided.
- h. Proposed lot lines with approximate dimensions and the square foot area of each lot.
- i. Areas dedicated for public use, such as schools, parks and playgrounds.
- j. Contour lines shown at intervals of two (2) feet.

- k. Building setback lines.
- l. Boundaries of the proposed subdivision shall be indicated by a heavy black line.
 - m. Existing and proposed zoning of the proposed subdivision, as well as the existing zoning of the adjoining property or properties.
- n. Proposed utility service:
 - a. Source of water supply.
 - b. Provision for sewage disposal, storm water drainage, and flood control, if applicable.
 - o. A vicinity sketch at a legible scale showing the relationship of the Plat to its general surroundings.
- p. Lots shall be numbered in a way that is acceptable to the County Auditor's office.
- q. Existing and proposed easements showing widths and purposes of said easements.
 - r. If applicable, the regulatory flood elevation data; limits of the one hundred-year flood plain boundaries, original and revised, must be shown.
 - s. Environmental studies may be required if a proposed subdivision is located in, or near, an environmentally sensitive area.

5. ACCOMPANYING MATERIAL

Results of soil percolation tests on each lot made by the developer's engineer shall accompany any plat that cannot feasibly be served by public sewer. Such tests shall be made in accordance with the Bremer County Board of Health requirements.

6. REVIEW BY THE PLANNING AND ZONING COMMISSION

- a. Upon receipt of the report of the various offices referred to in Section 5(3) above, as soon as possible, but not more than sixty (60) days after initial receipt of the plat by the Zoning Administrator, the Planning and Zoning Commission shall review said plat, consider said reports, negotiate with the subdivider on changes deemed advisable and the kind and extent of improvements to be made, and take action upon the preliminary plat as originally submitted or modified. If a subdivision is not recommended for approval, the Planning and Zoning Commission shall give written reasons therefor. The preliminary plat may require more than one (1) Planning and

Zoning Commission review.

- b. Before approving a preliminary plat, the Planning and Zoning Commission may at its discretion hold a public hearing, notice of which shall be given by publication in a local newspaper at least seven (7), but not more than twenty (20), days before said public hearing.
- c. If a public hearing is scheduled, as a courtesy, property owners and lessees within five hundred (500) feet may be notified of said public hearing.

7. REVIEW BY THE BOARD

- a. The Board of Supervisors shall then take action upon the preliminary plat, certifying its approval or disapproval. In case of disapproval, the Board shall give written reasons therefore. If approved, the preliminary plat shall be certified by resolution.
- b. The approval of the preliminary plat by the Board of Supervisors does not constitute acceptance of the subdivision, but shall authorize the developer to proceed with the preparation of the final plat.
- c. The approval of a preliminary plat by the Board of Supervisors shall be valid for a period of one (1) year from the date of such approval, except upon application for and approval of an extension of such period of validity, by the Board of Supervisors.

5-4-6 FINAL PLAT REQUIREMENTS AND PROCEDURES (MAJOR SUBDIVISION)

1. NUMBER OF COPIES

Within one (1) year of approval of the preliminary plat, or extension thereto, by the Board of Supervisors, the subdivider shall submit seven (7) copies of the final plat for review by the Zoning Administrator. Final plat review shall not begin until, or unless, all copies of the final plat and accompanying materials have been submitted.

2. REFERRAL OF FINAL PLAT

The Zoning Administrator shall refer one (1) copy each to the County Auditor, County Recorder, County Assessor, County Engineer, and County Board of Health. The developer or their agent shall provide one (1) copy of the final plat to any City within two (2) miles of the subdivision for their comments and recommendations. Each of the aforementioned offices shall examine the plat as to its compliance with the laws and regulations of Bremer County and submit their findings to the Zoning Administrator as soon as possible, but within thirty (30) days.

3. CONTENTS OF FINAL PLAT

Final plats shall contain, include, or show the following requirements

- a. Name of subdivision and developer.
- b. Plats shall be drawn on sheets not larger than twenty-four (24) inches by thirty-six (36) inches. The scale of the plat, preferably one-inch equals one hundred feet (1"=100'), shall be clearly stated and graphically illustrated by a bar scale on every plat sheet. Larger subdivisions that require more than one (1) sheet shall show match lines and references.
- c. An arrow indicating the northern direction.
- d. Curve data including delta angle, length of arc, degree of curve, and the length and direction of the chord.
- e. Boundary lines of subdivided area with accurate distances, bearings, and boundary angles. The unadjusted error of closure shall not be greater than one (1) in ten thousand (10,000) for subdivision boundaries and shall not be greater than one (1) in five thousand (5,000) for an individual lot. The areas of irregular lots within the plat shall be shown and may be expressed in either acres to the nearest one hundredth acre, or square feet to the nearest ten (10) square feet.
 - f. Exact name, location, width, and designation of all streets within the subdivision. Additionally, alleys, parks, open areas, school property, other areas of public use, or areas within the plat that are set aside for future development shall be assigned a progressive letter and have the proposed use clearly designated.
 - g. The purpose of any easement shown on the plat shall be clearly stated and shall be confined to only those easements pertaining to public utilities including gas, power, telephone, water, sewer, and such drainage or access easements as are deemed necessary for the orderly development of the land encompassed within the plan. All such easements relative to their usage and maintenance shall be approved by the Planning and Zoning Commission prior to the recording of the plat.
- h. Building setback lines with dimensions.
- i. Legal description of the property being subdivided.
- j. Lot numbers.
- k. Certificate of Survey.
 - l. Description and location of all permanent monuments set in the subdivision, including ties to original Government corners.
- m. A table listing coordinate values for all property corners.

4. ACCOMPANYING MATERIAL

- a. Any restrictive covenants shall be submitted for review and recommendation by the County Attorney.
- b. Any dedication or easement to the County for any property intended for public use.
- c. A proposed schedule of improvements to be made.

5. REVIEW BY THE PLANNING AND ZONING COMMISSION

The Planning and Zoning Commission shall review the final plat in the same manner that they addressed preliminary plats, Section 5(6), and forward its recommendation to the Board of Supervisors.

6. ACTION BY THE BOARD

a. Upon receipt of the final plat and the required documents from the Commission, the Board will consider the recommendations of the reviewing offices. The Board shall approve or disapprove the final plat by resolution.

b. The Board may refuse to approve any plats for proposed subdivisions which include improvements or facilities that are subject to regulations and ordinances of the County Board of Health unless such improvements or facilities have been approved by that Department. The Board may disapprove a final plat for lots to be served by residential on-site sewage treatment systems which includes any lot having an area less than the minimum area required by such applicable regulations and ordinances. In case of disapproval, the Board shall give written reasons therefor.

c. The passage of a resolution by the Board accepting the plat shall constitute final platting approval of the area shown on the final plat. The subdivider or owner shall cause such plat to be recorded as required by Chapter 354, Code of Iowa, before the County shall recognize the plat as being in full force and effect. In addition, six (6) copies of the approved final plat and adopting resolution as well as one (1) copy of the completed plat proceedings with restrictive covenants shall be submitted to the Zoning Administrator by the developer or their agent.

7. IMPROVEMENTS

a. All standards and improvements described in Section 4 shall be installed in accordance with the approved plans and specifications after acceptance of the final plat by the Board of Supervisors but prior to

recording with the County Recorder. All improvements shall be inspected by the developer's engineer and County Engineer and certified to the Board of Supervisors with the cost of said inspection by the County Engineer being reimbursed to the County.

- b. Subdivisions may be developed in phases.
- c. After acceptance of the final plat by the Board of Supervisors, but prior to recording with the County Recorder, the developer shall enter into an agreement with the Board of Supervisors to ensure the completion of the improvements within a specific time period. The agreement shall specify the improvements to be constructed, the schedule for completion of construction (each phase not to exceed three (3) years) and shall be accompanied with a performance bond, corporate surety bond, cash, or other surety approved by the County Attorney in an amount equal to one hundred (100) percent of the estimated cost of said improvements.
- d. The owner and subdivider of the land being platted shall be required to provide to the County property maintenance bonds, or other means satisfactory to the County Engineer and County Attorney, so as to insure that for a period of two (2) years from the date of acceptance and completion of any improvement, the owner and subdivider shall be responsible to maintain the improvements in good repair.

5-4-7 MINOR SUBDIVISION REQUIREMENTS AND PRODEDURES

1. A copy of the proposed minor subdivision plat shall be prepared and submitted to the Zoning Administrator, said plat shall contain such information as required by this Ordinance or as may be specified by the Zoning Administrator.
2. If the Zoning Administrator shall determine that the "Minor Subdivision Plat" contains sufficient data and elements to furnish a basis for review, then the Zoning Administrator shall forward copies of the submitted plat to the County Engineer, County Board of Health, County Auditor, County Assessor, and to such other agencies or persons as he/she may deem appropriate and necessary. The developer or their agent shall provide one (1) copy of the minor plat to any City within two (2) miles of the subdivision for their comments and recommendations. Minor plat review shall not begin until, or unless, all copies of the final plat and accompanying materials have been submitted.
3. Review by Agencies. Within ten (10) working days following receipt of an application by the Zoning Administrator:
 - a. The County Engineer shall notify the Zoning Administrator that access onto the county road will, or will not, be granted and that other improvements do, or do not, conform to current standards.
 - b. The County Board of Health shall notify the Zoning Administrator that the land so proposed to be subdivided is or is not suitable for the utiliza-

tion of on-site sewage disposal systems or that sanitary sewers or other alternative systems of sewage disposal comply with all applicable Bremer County and State of Iowa standards, and that the proposed or existing system of water supply complies with applicable Bremer County and State of Iowa standards.

- c. Other agencies or persons shall notify the Zoning Administrator upon factors deemed appropriate and necessary.
4. Within twenty (20) working days following the date of receipt of an application, or such additional period as the subdivider may authorize, the Zoning Administrator may schedule a public hearing on the subdivision request with the Board of Supervisors.
5. The Board of Supervisors may approve or disapprove of the subdivision request, or they may refer the request to the Planning and Zoning Commission for their recommendation prior to making consideration of the request. In any case, the Board shall approve or disapprove the minor plat by resolution. If disapproved, the Board shall provide written reasons therefor.
6. Limitations: This section shall not be applicable to a parcel of land of any size which has previously had a subdivision severed from it. For definition purposes of this section only, a parcel of land shall mean any sized contiguous piece of property under same ownership as shown on the Bremer County Auditor's plat books as of the effective date of this Ordinance.

5-4-8 AGRICULTURAL SUBDIVISION PLAT REQUIREMENTS AND PROCEDURES

1. Formal Application Submittal. A copy of the proposed Agricultural Subdivision Plat application shall be prepared and submitted to the Zoning Administrator, said plat shall contain such information as required by this Ordinance or as may be specified by the Zoning Administrator.
 - A. A subdivision may be submitted for review and approval as an Agricultural Subdivision Plat when all of the following are true:
 - a. The lots created by the subdivision are intended to be used for agricultural purposes.
 - b. The subdivision contains no new development lots.
 - c. The subdivision includes no land set apart for new streets, alleys, parks, dedicated open space, school property, or public use.
 - d. The subdivision lies wholly within the A-1 or A-2 Districts.
 - e. No Minor Subdivision Plats have been approved for the tracts being divided after the date of adoption of this Ordinance.

- B. Interdepartmental and Staff Review of Subdivisions. Following submittal of a proposed Agricultural Subdivision Plat application, including applicable filing fee, Planning and Zoning staff shall review submitted materials for compliance with the requirements of Section 5-4-8, as applicable, and other requirements of the Subdivision Ordinance regulations. The Zoning Administrator shall forward copies of the submitted plat to the County Engineer, County Board of Health, County Auditor, County Assessor, and to such other agencies or persons as he/she may deem appropriate and necessary. Agricultural Subdivision Plat review shall not begin until, or unless, all copies of the final plat and accompanying materials have been submitted.
- C. Meeting Notice for Board of Supervisors
- a. Notice to cities within 2 miles. Planning and Zoning staff shall send notice to any city located within two miles of the proposed subdivision outlining the location, time, and date of the public meeting before the Board of Supervisors.
 - b. Notice to Surrounding Property Owners. As a courtesy, Planning and Zoning staff may send a notice via mail to all surrounding property owners within five hundred (500) feet of the proposed Agricultural Subdivision outlining the location, time, and date of the public meeting before the Board of Supervisors.
- D. Discussion, Consideration, and Action by the Board of Supervisors. Following completion of interdepartmental and staff review, the Agricultural Subdivision Plat application, subdivision plat drawing, and other applicable documents, as well as resolution prepared by Planning and Zoning staff, shall be placed on the Board of Supervisors agenda for consideration and action. A staff report setting forth findings concerning the conformance of the application to this section and other Subdivision Ordinance Regulations, as applicable, and any recommendations for requirements or conditions to be imposed on the proposed subdivision, shall be prepared and presented by Planning and Zoning staff at the Board of Supervisors meeting. Any person may submit comments or request to speak on the item prior to the start of the meeting. The meeting shall be scheduled according to standard agenda procedures. The Board of Supervisors shall officially adopt a resolution acting on the proposed subdivision, and such action shall become official upon the recordation of the resolution, plat, and list of items required under Section 354.11 of the *Code of Iowa*.
2. Detailed Submittal Requirements for Agricultural Subdivision Plat. The plat shall be drawn at an appropriate scale to reflect the readability of the subdivision elements. The plat shall be signed by a licensed land surveyor, registered in the State of Iowa. Any application for an Agricultural Subdivision plat not containing all of the following information shall not be considered by the Board of Supervisors.
- A. The following materials shall be shown on the face of the plat:

- a. Those requirements for subdivision plats pursuant to Section 354.6 and 355.8 of the *Code of Iowa*.
- b. The type of subdivision and the title under which the subdivision is to be recorded, with the name and address of the proprietor(s); also arrow indicating the north direction, scale, date, and name and address of the surveyor.
- c. The complete legal description of the property to be platted including descriptive boundaries of the subdivision.
- d. All proposed and remaining easements located on the land to be divided, including (but not limited to) conservation easements, access easements, and septic and well easements.
- e. All dimensions, both linear and angular, necessary for locating boundaries of the subdivided area, or of the lots, existing streets and alleys, easements, and building setbacks, and any other similar public or private use. The linear dimensions shall be expressed in feet and decimals of a foot.
- f. Radii, arc, and chords, points of tangency, central angles for all curvilinear streets and radii for rounded corners.
- g. All lot lines, lot numbers, and building lines in accordance with the applicable zone district requirements.
- h. The location of all structures and setbacks thereof from each proposed lot line, public easement or right-of-way, and the location of existing wells and septic systems and setbacks thereof from existing structures.
- i. The existing adjacent subdivisions and tract lines of acreage parcels together with the names of record owners of parcels of land immediately adjoining the proposed subdivision.
- j. The name, location, width, and dimensions of all existing roads.
- k. The districts in which the land to be subdivided is located, including (but not limited to) drainage districts, emergency services districts (ambulance and fire), school districts, zoning districts, utility districts, and watershed districts.
- l. Established boundaries of the one percent Special Flood Hazard Area (if the property contains any areas wherein a detailed study was completed by FEMA or other entity, the Floodway and Floodway Fringe boundaries shall be depicted.)
- m. Existing Rural 911 addresses.

- i. Existing rural 911 addresses shall be shown on the plat unless it is determined through interdepartmental review that a new 911 address could be more appropriately assigned.
- ii. The plat shall contain the following notation: “All new lots shall require a 911 address for inhabited structures, including residences and businesses, telecommunications towers and facilities, and for any public assembly area including open-air, outdoor activities. 911 addresses shall be assigned by Bremer County at the request of the property owner.”

- n. The plat shall contain the following notation: “Additional divisions of the lots created with this Agricultural Subdivision Plat are not permitted unless the entire subdivision is considered for replatting purposes.”

B. The following material shall accompany the signed plat:

- a. Signed originals of the attachment to subdivision plats required by Section 354.11 of the *Code of Iowa*.
- b. A signed original of any protective covenants or restrictions to be imposed upon the plat shall be submitted for approval.
- c. Other submittal requirements as defined by the Planning and Zoning Department.

5-4-9 PLACES

Where it is desired to subdivide a parcel of land, which because of its size or location, does not permit a normal lot or street area, there may be established a "place". Such a place may be in the form of a court, non-connecting street or other arrangement, provided, however, that proper access shall be given to all lots from a dedicated place (street or court). If any dead-end place, court or cul-de-sac is more than two hundred fifty (250) feet in length, it shall terminate in an open space, preferably circular, having a minimum radius of sixty (60) feet. Except in unusual instances, no dead-end street or place shall exceed six hundred (600) feet in length.

5-4-10 ISSUANCE OF BUILDING PERMITS AND CERTIFICATES OF OCCUPANCY

1. No certificate of occupancy for any building in a subdivision shall be issued prior to the completion of the improvements in a manner which shall be adequate for vehicular access by the prospective occupant and by law enforcement and fire equipment.
2. No building permits shall be issued in the subdivision prior to the time that the streets and easements affecting such lot are brought to the grade established in the construction plans.
3. No building permit shall be issued for the final ten (10) percent of lots, or the final five (5) lots of a subdivision, whichever is greater, until all public improvements

required by the Board of Supervisors for the plat have been fully completed and dedicated to the County.

5-4-11 VACATION OF PLATS, STREETS, AND OTHER PUBLIC LANDS

Prior to consideration by the Board of Supervisors, all vacations of plats, streets, and other public lands shall be reviewed by the Planning and Zoning Commission. A recommendation from the Planning and Zoning Commission shall be forwarded to the Board of Supervisors.

1. Vacation of Plats. The owners of lots within an official plat who wish to vacate any portion of the official plat shall file a petition with the Planning and Zoning Commission for review and recommendation. After review by the Commission, the petition and recommendation are filed with the Board of Supervisors, and they shall set a time and place for a public hearing on the petition. Written notice of the public hearing shall be provided by the petitioner to proprietors and mortgagees within three hundred (300) feet of the area to be vacated. If a portion of the official plat adjoins a river or state-owned lake, the Iowa Department of Natural Resources shall be served written notice of the proposed vacation. Notice of the proposed vacation shall be published twice, with fourteen (14) days between publications, stating the date, time, and place of the public hearing. The official plat or portion of the official plat shall be vacated upon recording of all of the following documents.
 - a. An instrument signed, executed, and acknowledged by all the property owners and mortgagees within the area of the official plat to be vacated, declaring the plat to be vacated. The instrument shall state the existing lot description for each property along with an accurate description to be used to describe the land after the lots are vacated.
 - b. A resolution by the Board of Supervisors approving the vacation and providing for the conveyance of those areas included in the vacation which were previously set aside for dedicated or public use.
 - c. A certificate of the County Auditor that the vacated part of the plat can be adequately described for assessment and taxation purposes without reference to the vacated lots.

The vacation of a portion of an official plat shall not remove or otherwise affect a recorded restrictive covenant, protective covenant, building restriction, or use restriction. Recorded restrictions on the use of property within an official plat shall be modified or revoked by recording a consent to the modification or removal, signed and acknowledged by the proprietors and mortgagees within the official plat.

2. Vacation of Streets and Other Public Lands. The County may vacate a part of an official plat that had been conveyed to the County or dedicated to public which is deemed by the Planning and Zoning Commission and Board of Supervisors to be of no benefit to the public. The County shall vacate by resolution following a public

hearing or by ordinance and the vacating instrument shall be recorded. The County may convey the vacated property by deed or may convey the property to adjoining property owners through the vacation instrument. If the vacating instrument is used to convey property then the instrument shall include a list of adjoining property owners to whom the vacated property is being conveyed along with the corresponding legal description of each parcel being conveyed.

A recorded vacation instrument which conforms to this Section is equivalent to a deed of conveyance and the instrument shall be filed and indexed as a conveyance by the County Recorder and County Auditor. A vacation instrument recorded pursuant to this subsection shall not operate to annul any part of an official plat except as provided for in Section 10(1).

5-4-12 FEES

Non-refundable fees pertaining to permits and actions required by this Ordinance shall be in accord with the Schedule of Fees, as adopted by resolution by the Board of Supervisors. Said fees shall include, but not be limited to, the following:

1. Major Subdivisions.
2. Minor Subdivisions.
3. Vacation of Plats, Street, and Other Public Lands. This fee shall not be administered and collected if the dedication or vacation is processed in the form of a plat and either minor or major subdivision fees are paid in lieu thereof.
4. Recording Fees, per a schedule on file in the County Recorder's Office.

A copy of the Schedule of Fees shall be on file with the Zoning Administrator.

5-4-13 VARIATIONS AND EXCEPTIONS

Whenever the tract proposed to be subdivided is of such unusual topography, size, or shape, or is surrounded by such development or unusual conditions that the strict application of the requirements contained in these regulations would result in substantial hardships or injustices, the Board of Supervisors upon recommendation of the Planning and Zoning Commission, may vary or modify such requirements to allow the subdivider to develop his property in a reasonable manner with due regard for the public welfare so that the interests of the County and surrounding area are protected and the general intent and spirit of this Ordinance is preserved.

5-4-14 ENFORCEMENT

1. After the date of adoption of this Ordinance, no plat or any subdivision shall be

recorded in the County Recorder's office or have any validity until it has been approved in the manner prescribed herein.

2. No road hereafter created in the unincorporated area of Bremer County shall become a part of any road system as defined in Chapter 306 of the Code of Iowa; and no improvements shall be made by Bremer County, nor shall Bremer County incur any expense for maintenance or repair of roads or other facilities on land that has been subdivided after the date of adoption of this Ordinance unless such road or other facility shall have been first approved by the Board of Supervisors in accordance with the provisions of this Ordinance and the dedication thereof accepted as a public road or improvement.
3. Bremer County shall not issue building or repair permits for any structure located on a lot in any subdivision developed after the date of adoption of this Ordinance that is located within the County unless the plat of such subdivision has been first approved in accordance with the provisions contained herein.
3. Violations of the provisions of this Ordinance or failure to comply with any of its requirements shall constitute a County Infraction, the conviction of which shall constitute a misdemeanor authorizing a fine of not more than one hundred dollars (\$100) or imprisonment for not more than thirty (30) days. Each day such violation continues shall be considered a separate offense. Nothing herein contained shall prevent Bremer County from taking such other lawful action as is necessary to prevent or remedy any violation.

5-4-15 SUBDIVISION ORDINANCE CHANGES AND AMENDMENTS

Any provisions of these regulations may be changed and amended from time to time by the Board of Supervisors provided, however, that such changes and amendments should not become effective until after study and recommendation by the Planning and Zoning Commission and in accordance with the provisions of Bremer County and the Code of Iowa.

5-4-16 REPEALER

Any ordinance, resolution, policy, or part thereof, which conflicts with the provisions contained herein is hereby repealed.

5-4-17 SEVERABILITY

Should any section or provision of this Ordinance be declared by a court of competent jurisdiction to be invalid or unconstitutional, that decision shall not affect the validity of the Ordinance as a whole or any part thereof, other than the part so declared to be invalid or unconstitutional.

5-4-18 APROCEDURAL GUIDELINES FOR SUBDIVISION PLATTING IN THE UNINCORPORATED AREAS OF BREMER COUNTY

Major Subdivision Procedure: The division of any lot or parcel of land classified by the Zoning Administrator as a "major subdivision", as defined in the Bremer County Subdivision Ordinance.

1. Check with Zoning Administrator for current zoning ordinances, subdivision regulations, land use zoning classifications, and building code. Property must be correctly zoned before permits can be issued. Check with County Board of Health for water and water pollution control standards. Discuss development concepts and explore alternative solutions.
2. The Zoning Administrator sends notice. The developer or their agent shall provide one (1) copy of the plat(s) to any City within two (2) miles of the subdivision for their comments and recommendations.
3. Bring abstract up to date.
4. Get clear title to the property, becoming legal owner.
5. Hire a licensed engineer or land surveyor to make a survey, prepare a base map, and to set out the lots. The developer may also want to consult a landscape architect or land planner for design considerations and site planning aspects.
6. The petitioner may request a concept review by the Zoning Administrator prior to drafting the preliminary plat. This phase is at the option of the developer.
7. Have a preliminary plat prepared.
8. Submit six (6) copies of the preliminary plat to the Zoning Administrator. The Administrator will date the plat and issue a receipt for filing fees. The developer will need to sign a release authorizing the Zoning Administrator, Planning and Zoning Commissioners and/or the Board of Supervisors to inspect the property.
9. The six (6) preliminary plat copies are reviewed by:
 - a. County Engineer.
 - b. County Board of Health.
 - c. Planning and Zoning Commission and Zoning Administrator.
 - d. County Auditor and Board of Supervisors.
 - e. County Assessor.
 - f. City Official, if the proposed subdivision is within two (2) miles of a municipality. The developer or their agent shall provide one (1) copy of the final plat to any City within two (2) miles of the subdivision for their comments and recommendations.

10. All copies are to be studied and written recommendations sent to the Zoning Administrator. An environmental impact analysis prepared by a qualified professional may be required.
11. The Zoning Administrator refers the preliminary plat to the Planning and Zoning Commission for preliminary review and recommendations. Preliminary plat may require more than one (1) Planning and Zoning Commission review.
12. The preliminary plat is returned to petitioner with any requirements for amendment.
13. The petitioner submits the preliminary plat to the Board of Supervisors for review and consideration.
14. The petitioner submits seven (7) copies of the final plat and accompanying materials to the Zoning Administrator along with a proposed resolution for the Board of Supervisors. Final plat review shall not begin until, or unless, all copies of the final plat and accompanying materials have been submitted.
15. The final plat, if approved, must be signed by:
 - a. County Engineer.
 - b. County Board of Health.
 - c. County Recorder.
 - d. County Assessor.
 - e. Planning and Zoning Commission and Zoning Administrator.
 - f. County Auditor and Board of Supervisors.
 - g. City Official, if the proposed subdivision is within two (2) miles of a municipality. The developer or their agent shall provide one (1) copy of the final plat to any City within two (2) miles of the subdivision for their comments and recommendations.
16. The final plat and all associated legal documents are referred to the Board of Supervisors for review and consideration, after final approval by the Planning and Zoning Commission, and to the city, if within the two (2) mile zone. The resolution may be signed by the Board of Supervisors and the County Auditor. A copy of the final plat with a copy of the resolution by the Board of Supervisors will be sent to each of the following offices:
 - a. County Engineer.
 - b. County Board of Health.
 - c. Planning and Zoning Commission and Zoning Administrator.

- d. County Auditor and Board of Supervisors.
- e. County Recorder.
- f. County Assessor.
- g. City Official, if the proposed subdivision is within two (2) miles of a municipality. The developer or their agent shall provide one (1) copy of the final plat to any City within two (2) miles of the subdivision for their comments and recommendations.
- h. Petitioner.

17. If approved by the Board of Supervisors, the final plat is filed in the County Recorder's Office.

18. The following information shall be required by the County Recorder:

- a. Plat.
- b. A Statement from the Mortgage Holders or Lienholders, if any.
- c. Certificate of Survey.
- d. Deed of Dedication.
- e. Resolution(s) by the County and/or City(ies).
- f. Attorney's Opinion.
- g. Treasurer's Certificate.
- h. Restrictive Covenants, if not included in the Deed of Dedication.

Minor Subdivision Procedure: The division of any lot or parcel of land classified by the Zoning Administrator as a "minor subdivision", as defined in the Bremer County Subdivision Ordinance.

1. Check with Zoning Administrator for current zoning ordinances, subdivision regulations, land use zoning classifications, and building code requirements. Property must be correctly zoned before permits can be issued.
2. Check with County Board of Health for water and water pollution control standards.
3. Submit six (6) copies of the plat to the Zoning Administrator, along with minor subdivision application form and fee payment. Minor plat review shall not

begin until, or unless, all copies of the final plat and accompanying materials have been submitted.

4. The plat will be reviewed by the following departments:
 - a. County Engineer.
 - b. Zoning Administrator.
 - c. County Auditor and Board of Supervisors.
 - d. County Recorder.
 - e. County Assessor.
 - f. City Official, if the proposed subdivision is within two (2) miles of a municipality. The developer or their agent shall provide one (1) copy of the final plat to any City within two (2) miles of the subdivision for their comments and recommendations.
5. Within ten (10) days following submission of all information, all aforementioned departments will submit their findings to the Board of Supervisors, who will either approve or disapprove the request.

5-4-19 EFFECTIVE DATE

This Ordinance, adopted as Ordinance 22-06, shall be in full force and effect on June 8, 2022, after publication and recordation.

Planning and Zoning Commission:

Recommended for Adoption, after a Public Hearing was held, on: April 19, 2022

Board of Supervisors:

Public Hearing and First Reading: May 9, 2022

Second Public Hearing and Second Reading: May 16, 2022

Third Public Hearing and Final Reading: May 31, 2022

Final passage and adoption of this Ordinance was documented on May 31, 2022.

