

**CITY OF CAMARILLO
GENERAL REFERENCE MAP**

SOMIS

CAMARILLO HEIGHTS

STERLING HILLS

LAS POSAS ESTATES

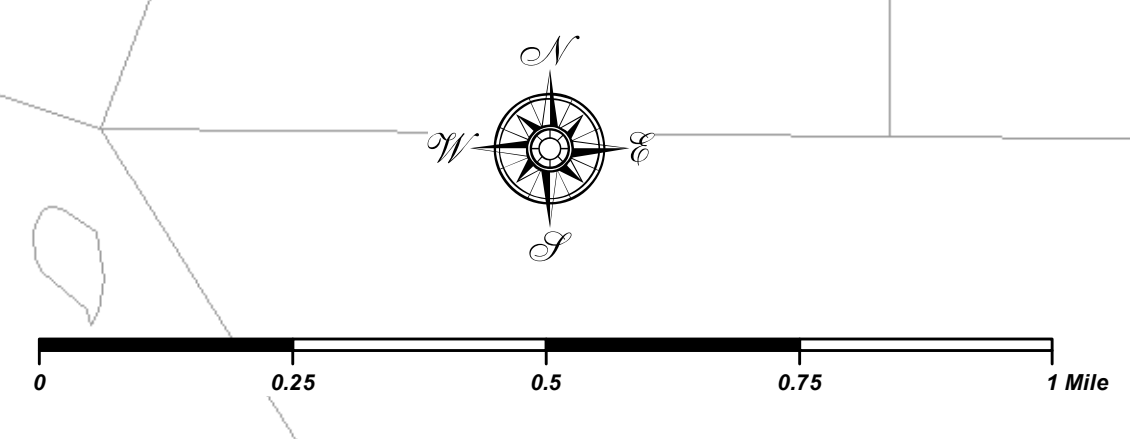
SPANISH HILLS

MISSION OAKS

Santa Rosa Technology Magnet School
4.7 Miles →

Legend

- City boundary
- Park parcel
- School parcel
- Church building footprint
- Commercial/Industrial building footprint
- Public building footprint
- River
- Parcel boundary



CAMARILLO AIRPORT

OLD TOWN

LEISURE VILLAGE

Prepared by Information Systems Division
June 13, 2024

This map was created by the City of Camarillo Geographic Information System, which is designed and operated solely for the convenience of the City and related public agencies. The City does not warrant the accuracy of this map, and no decision involving a risk of economic loss or physical injury should be made in reliance thereon.

