



City of Carlin
Public Works Department
810 Oak Street, PO Box 340
Carlin, NV 89822
Phone 775-754-6515
Fax 775-754-6253
permits@cityofcarlin.com
Director Carlos A Esparza

The City of Carlin is an equal opportunity provider and employer.

STORAGE SHED APPROVED ANCHOR SYSTEMS

General Notes: Foundations – Storage buildings less than 600 square feet may be constructed with walls supporting slab or wood foundation. Slab foundations – The anchor bolts shall be placed 6' o.c. and 12" from each end. A plate washer that is .0229" x 3" x 3" shall be installed on the anchor bolt. The sill plate shall be pressure treated. The anchor bolts shall not be countersunk in the sill plate. Tie down devices may be required where there is less than 4' from a corner to an opening. Each panel end stud shall have a tie-down device fastened to the foundation capable of providing an uplift capacity of not less than 1,800 lbs. Mobile Home (MH) auger style anchors must be installed a minimum of 24" below grade, galvanized or stainless steel strapping and approved bolts must be used, strapping must be installed over pressure treated 4" x 6" shed runners.

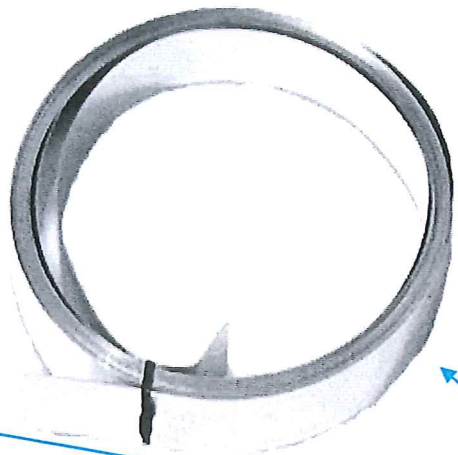
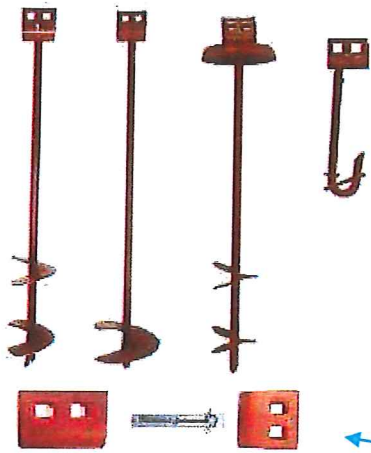
MH style concrete J type anchors may be used, concrete must be a minimum of 24" deep by 8" diameter, the J anchor must be installed with bolt plate extending not more than 1" above top of concrete.

Galvanized or stainless steel strapping may be used with approved bolts and must be installed over 4" x 6" pressure treated shed runners.

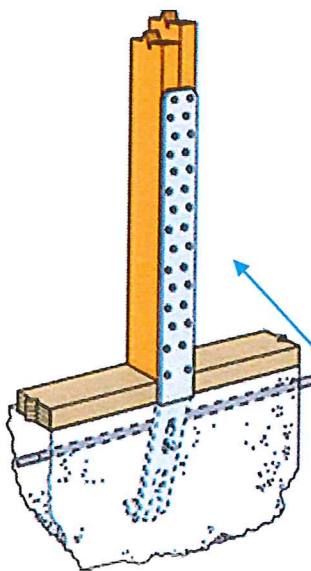
Stainless steel 1/8" cable with approved clamps and turnbuckles may be used, cable must be installed over 4" x 6" pressure treated shed runners.

Simpson type concrete anchors may be used, must be installed in the concrete at each corner of shed and nailed to shed corner supports using approved fasteners, (deck screws are not allowed).

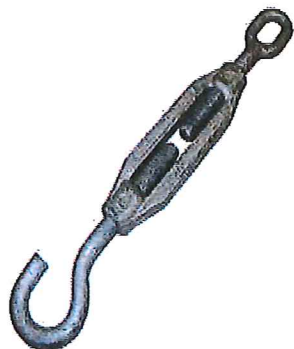
All storage shed installations must meet City of Carlin property line set-back requirements, please call 775-754-6515 with questions regarding zoning set-backs.



MH style
anchors & strapping



Simpson anchor



Turnbuckle & SS Cable/clamps