

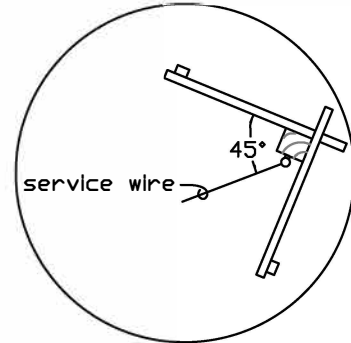
# OVERHEAD SOURCE TEMPORARY SERVICE MINIMUM SPECIFICATIONS

Service Size	Phase (Insulated)		Neutral (Insulated)		Conduit
	Cu.	Al.	Cu.	Al.	
100 amp	#4	#2	#4	#2	2"
200 amp	2/0	4/0	#2	2/0	2"

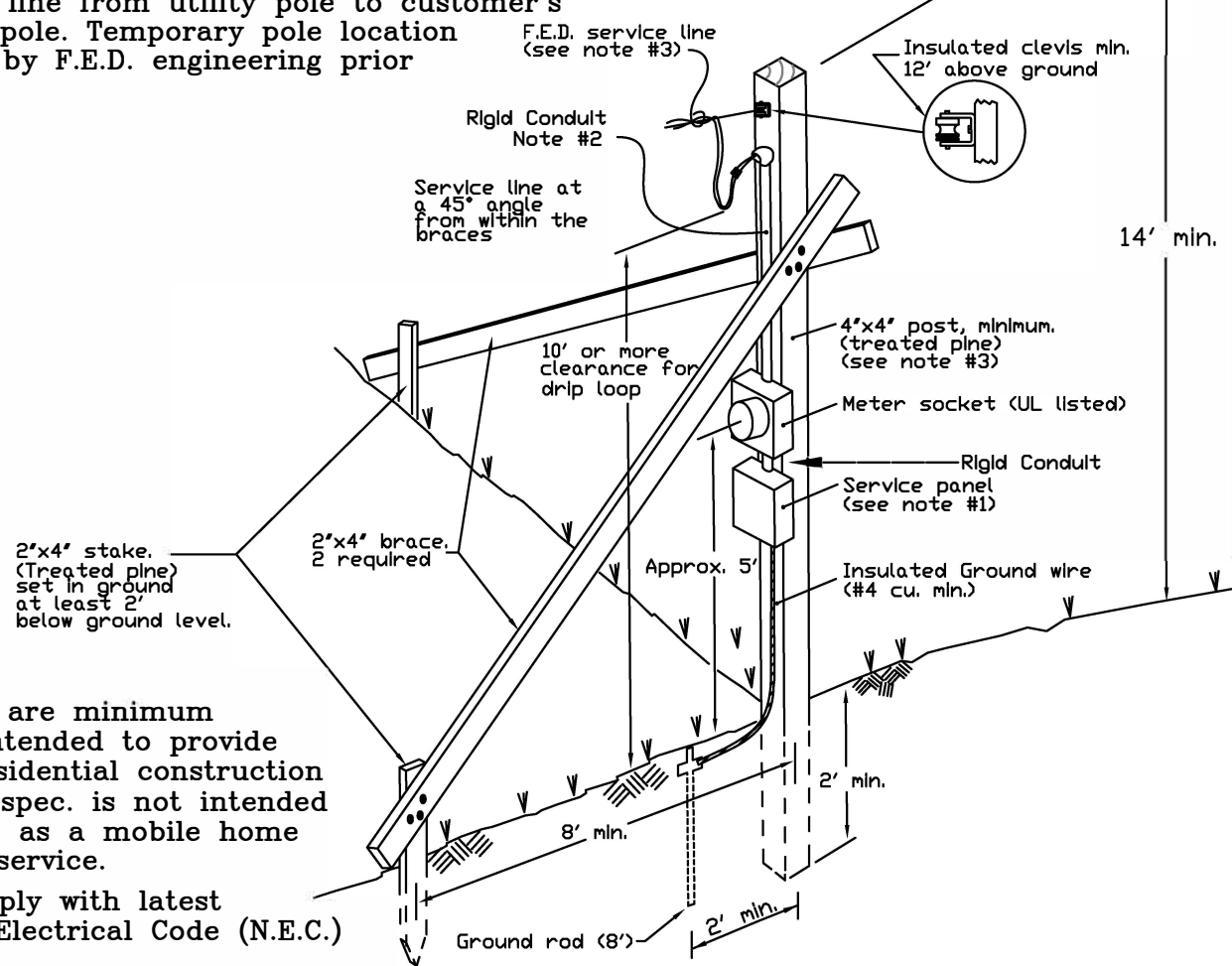
1. Service panel shall be weatherproof, UL listed, suitable for outdoor use, containing a minimum of 2-20 amp single pole circuit breakers and 2-GFI duplex receptacles. Receptacles shall be completely covered (when in use).

2. Service capacity shall be a minimum of 100 amps. See chart for wire size requirements. Conductors shall extend 24" minimum from weatherhead. Conduit shall be attached to pole with minimum of 2 straps. Customer to furnish and install insulated clevis.

3. Customer pole must be installed within 20' of utility pole that will serve site. F.E.D. will furnish and install service line from utility pole to customer's temporary service pole. Temporary pole location must be approved by F.E.D. engineering prior to installation.



TOP VIEW



**General notes:**

- \*These specifications are minimum requirements and intended to provide basic service for residential construction (6-9 months). This spec. is not intended or approved for use as a mobile home or permanent pole service.
- \*All wiring shall comply with latest edition of National Electrical Code (N.E.C.)
- \*F.E.D. will install meter in customer-owned socket. All installations located in City of Florence Planning Jurisdiction must be inspected by the City of Florence Building Dept. prior to connection. Building Dept (tel.# 760-6325). For technical support, call the Florence Electricity Department Electrical Engineering at 740-6005. Contact Alabama 1-Call 1-800 292-8525 Prior to excavation.

	<b>FLORENCE UTILITIES ELECTRICITY</b>													
	SCALE NONE	APPROVED BY												
DATE 5-2-2006	DRAWN BY S. FORD													
OVERHEAD TEMPORARY SERVICE POLE DETAIL														
<table border="1" style="width: 100%; border-collapse: collapse;"> <thead> <tr> <th colspan="2" style="text-align: center;">REVISED</th> </tr> <tr> <th style="text-align: left;">DATE</th> <th style="text-align: left;">INITIALS</th> </tr> </thead> <tbody> <tr> <td style="font-size: x-small;">5/3/06</td> <td style="font-size: x-small;">S.F.</td> </tr> <tr> <td style="font-size: x-small;">8/28/06</td> <td style="font-size: x-small;">S.F.</td> </tr> <tr> <td style="font-size: x-small;">11/1/06</td> <td style="font-size: x-small;">S.F.</td> </tr> <tr> <td style="font-size: x-small;">1/8/22</td> <td style="font-size: x-small;">T.P.</td> </tr> </tbody> </table>	REVISED		DATE	INITIALS	5/3/06	S.F.	8/28/06	S.F.	11/1/06	S.F.	1/8/22	T.P.	W.O.#	DRAWING NUMBER
REVISED														
DATE	INITIALS													
5/3/06	S.F.													
8/28/06	S.F.													
11/1/06	S.F.													
1/8/22	T.P.													
		S-5575												

# UNDERGROUND TEMPORARY SERVICE POLE

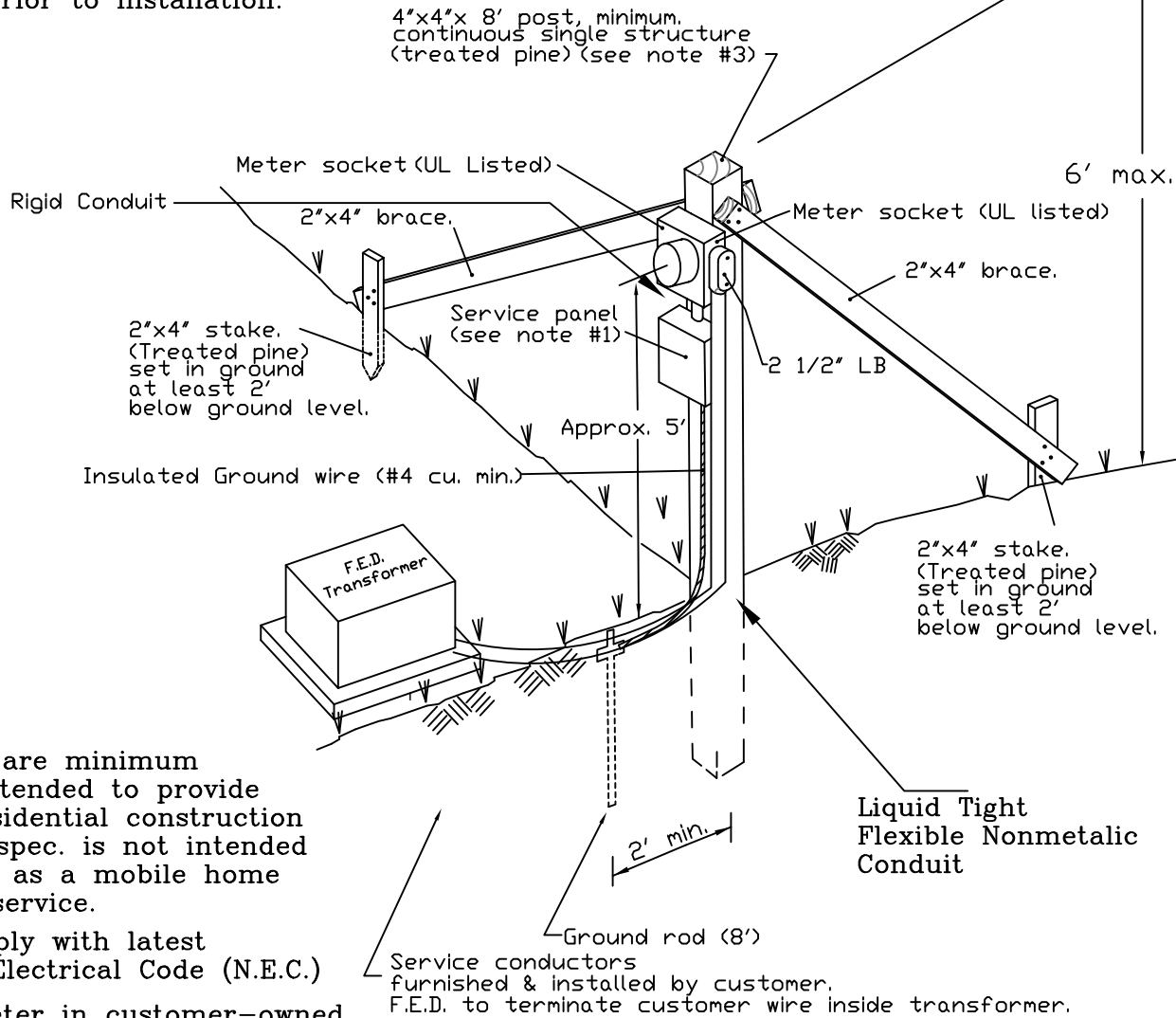
Service Size	Phase (Insulated)		Neutral (Insulated)	
	Cu.	Al.	Cu.	Al.
100 amp	#4	#2	#4	#2
200 amp	2/0	4/0	#2	2/0

1. Service panel shall be weatherproof, UL listed, suitable for outdoor use, containing a minimum of 2-20 amp single pole circuit breakers and 2-GFI duplex receptacles. Receptacles shall be completely covered (when in use).

2. Service capacity shall be a minimum of 100 amps. See chart for wire size requirements. Chart above applicable to wiring from load side of meter base to service panel. F.E.D. will furnish & install conductors to line side (top) of meter base.

3. Temporary pole location must be approved by F.E.D. Engineering dept. prior to installation.

NOTE: THIS ALTERNATE DESIGN IS ACCEPTABLE WHEN EXISTING ELECTRICITY FACILITIES ARE UNDERGROUND.



**General notes:**

- \*These specifications are minimum requirements and intended to provide basic service for residential construction (6-9 months). This spec. is not intended or approved for use as a mobile home or permanent pole service.
- \*All wiring shall comply with latest edition of National Electrical Code (N.E.C.)
- \*F.E.D. will install meter in customer-owned socket. All installations located in City of Florence Planning Jurisdiction must be inspected by the City of Florence Building Dept. prior to connection. Building Dept (tel.# 760-6325). For technical support, call the Florence Electricity Department Electrical Engineering at 740-6005. Contact Alabama 1-Call 1-800 292-8525 Prior to excavation.



<b>FLORENCE UTILITIES ELECTRICITY</b>		
SCALE NONE	APPROVED BY	DRAWN BY T.PIGG
DATE 1-6-2022		
UNDERGROUND TEMPORARY SERVICE POLE DETAIL		
W.O.#	TEMP POLE.DWG	DRAWING NUMBER S-6097
REVISION DATE	INITIALS	