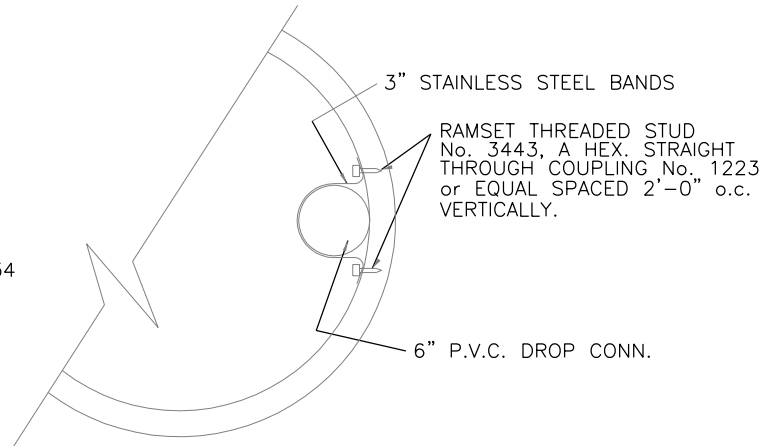


STAINLESS STEEL
RAMSET
POWDER
ACTUATED FASTENER



SECTION A - A

INTERNAL DROP CONNECTION TO EXISTING OR PROPOSED SANITARY MANHOLE

NOT TO SCALE