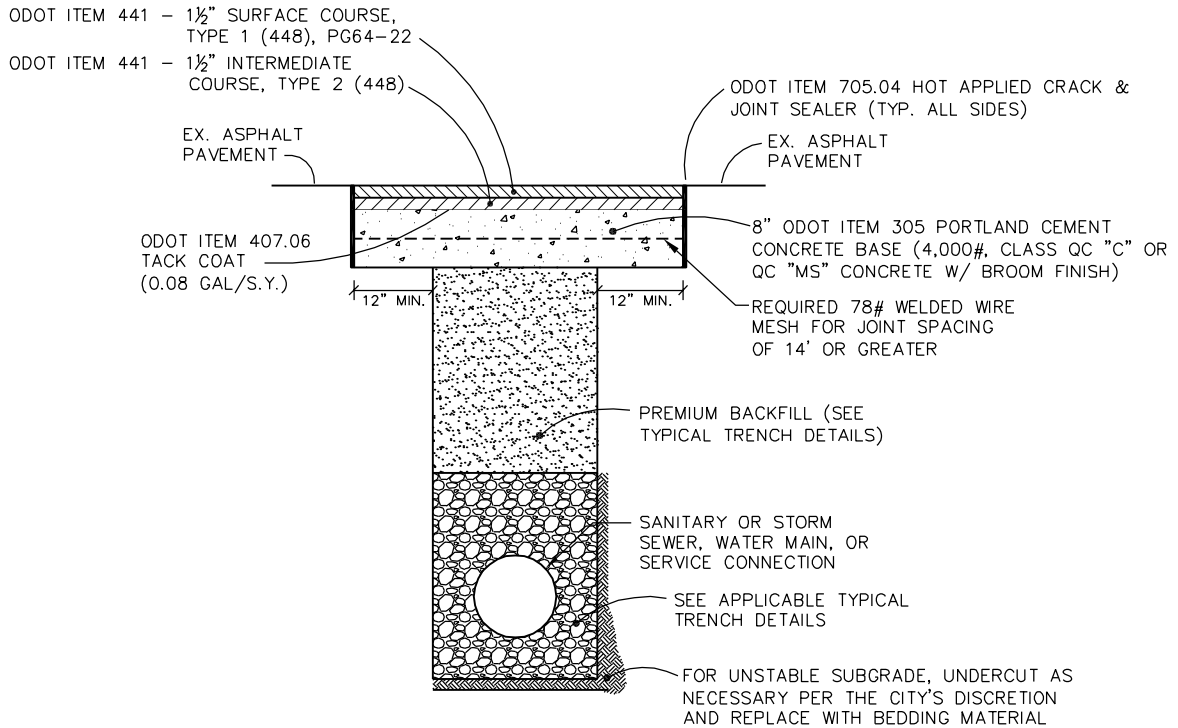


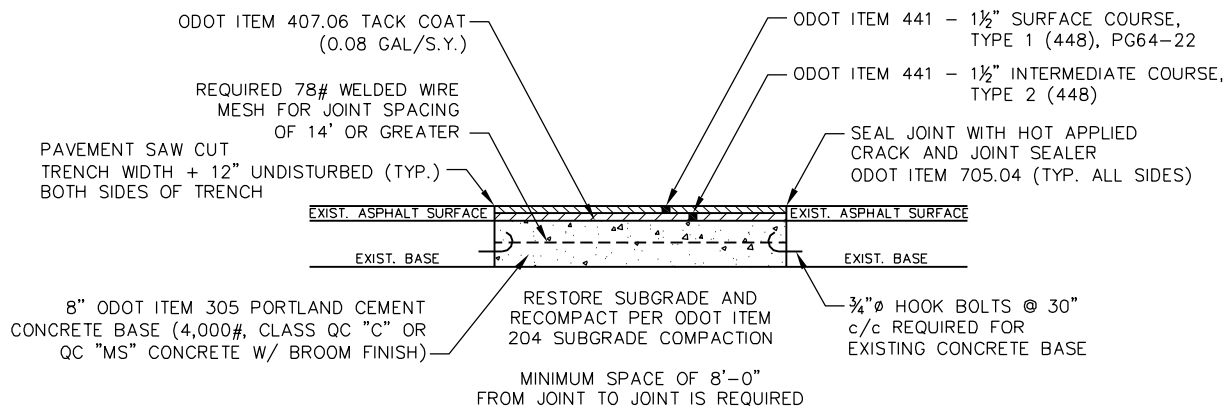
CITY OF NORTH ROYALTON STANDARD CONSTRUCTION DRAWING



* THIS DETAIL SHALL BE FOLLOWED IF OPEN-CUT TRENCH IS PERMITTED AND UTILIZED.

PAVEMENT RESTORATION/STREET OPENING DETAIL

NOT TO SCALE



NOTES:

1. WHEN ODOT ITEM 441 IS NOT APPLICABLE PER SPECIFICATION (FROM NOVEMBER 15TH TO APRIL 15TH), TEMPORARILY PLACE 2 LAYERS OF 6 MIL VISQUEEN AND 3" OF CONCRETE ODOT CLASS C 4000# (TEMPORARY WINTER PAVEMENT).
2. CONTRACTOR SHALL SECURELY PLATE ROAD DURING CONCRETE CURING.
3. CONTRACTOR SHALL REMOVE TEMPORARY WINTER PAVEMENT IN SPRING AND REPLACE WITH THE PERMANENT MATERIALS SHOWN IN THIS DETAIL.

TYPICAL PAVEMENT REPAIR DETAIL

NOT TO SCALE