



# City of North Royalton

Mayor Larry Antoskiewicz

**Nick Cinquepalmi**

*Service Director*

Service Department

440-582-3002

fax 440-582-3089

TO: Streets Committee – Joanne Krejci, Chair  
Linda Barath, Vice Chair  
Paul Marnecheck

FROM: Nick Cinquepalmi, Service Director

DATE: January 25, 2022

RE: Single Axle Truck Purchase

I am requesting approval for the purchase of the following through ODOT's Cooperative Purchasing Program.

- **Three (3) Western Star 4700SB Single Axle Cab & Chassis @ \$109,266.00 each**  
Cleveland Freightliner, Inc  
10901 Brookpark Rd  
Parma, Ohio 44130  
Phone: 216-267-4800  
ODOT Contract STS Schedule Number: 023-22  
OAKS ID: 0000068191
- **Three (3) Single Axle Dump Body and Snow Plow Equipment Package @ \$76,441.31 each**  
Concord Road Equipment Mfg., Inc.  
348 Chester Street  
Painesville, Ohio 44077  
Phone: 440-357-5344  
ODOT Contract STS Schedule Number: 800925  
Index Number: STS515  
Vendor Number: 58520

If there are any questions, please call. Thanks.

/aca

c: Mayor Larry Antoskiewicz  
Jenny Esarey, Finance Director  
File

**Prepared for:**  
NORTH ROYALTON CITY OF  
14600 STATE RD  
NORTH ROYALTON, OH 44133  
Phone: 440-336-5377

**Prepared by:**  
Greg Simonic  
CLEVELAND FREIGHTLINER, INC.  
10901 Brookpark Rd  
Parma, OH 44130  
Phone: 216-267-4800

*A proposal for*  
**NORTH ROYALTON CITY OF**

*Prepared by*  
**CLEVELAND FREIGHTLINER, INC.**  
*Greg Simonic*

*Dec 22, 2021*

**Western Star 4700SB**



Components shown may not reflect all spec'd options and are not to scale

Prepared for:  
 NORTH ROYALTON CITY OF  
 14600 STATE RD  
 NORTH ROYALTON, OH 44133  
 Phone: 440-336-5377

Prepared by:  
 Greg Simonic  
 CLEVELAND FREIGHTLINER, INC.  
 10901 Brookpark Rd  
 Parma, OH 44130  
 Phone: 216-267-4800

## S P E C I F I C A T I O N   P R O P O S A L

Data Code	Description	Weight Front	Weight Rear
<b>Price Level</b>			
PRL-26T	WESTERN STAR 4700 PRL-26T (EFF:7/26/21)		
<b>Data Version</b>			
DRL-028	SPECPRO21 DATA RELEASE VER 028		
<b>Vehicle Configuration</b>			
001-451	4700 SET-BACK FRONT AXLE CHASSIS	9,215	6,480
004-223	2023 MODEL YEAR SPECIFIED		
002-004	SET BACK AXLE - TRUCK		
019-006	TRAILER TOWING PROVISION AT END OF FRAME WITH SAE J560	10	10
003-001	LH PRIMARY STEERING LOCATION		
<b>General Service</b>			
AA1-003	TRUCK/TRAILER CONFIGURATION		
AA6-002	DOMICILED, USA (EXCLUDING CALIFORNIA AND CARB OPT-IN STATES)		
A85-010	UTILITY/REPAIR/MAINTENANCE SERVICE		
A84-1GM	GOVERNMENT BUSINESS SEGMENT		
AA4-010	DIRT/SAND/ROCK COMMODITY		
AA5-002	TERRAIN/DUTY: 100% (ALL) OF THE TIME, IN TRANSIT, IS SPENT ON PAVED ROADS		
AB1-008	MAXIMUM 8% EXPECTED GRADE		
AB5-001	SMOOTH CONCRETE OR ASPHALT PAVEMENT - MOST SEVERE IN-TRANSIT (BETWEEN SITES) ROAD SURFACE		
995-1A5	WESTERN STAR VOCATIONAL WARRANTY		
A66-99D	EXPECTED FRONT AXLE(S) LOAD : 16000.0 lbs		
A68-99D	EXPECTED REAR DRIVE AXLE(S) LOAD : 23000.0 lbs		
A63-99D	EXPECTED GROSS VEHICLE WEIGHT CAPACITY : 39000.0 lbs		
A70-99D	EXPECTED GROSS COMBINATION WEIGHT : 80000.0 lbs		
<b>Truck Service</b>			
AA3-018	FRONT PLOW/END DUMP BODY		



Prepared for:  
 NORTH ROYALTON CITY OF  
 14600 STATE RD  
 NORTH ROYALTON, OH 44133  
 Phone: 440-336-5377

Prepared by:  
 Greg Simonic  
 CLEVELAND FREIGHTLINER, INC.  
 10901 Brookpark Rd  
 Parma, OH 44130  
 Phone: 216-267-4800

Data Code	Description	Weight Front	Weight Rear
A88-99D	EXPECTED TRUCK BODY LENGTH : 0.0 ft		
AF3-1W0	HENDERSON		

### Engine

101-3BT	CUM L9 350 HP @ 2200 RPM; 2200 GOV RPM, 1050 LB-FT @ 1200 RPM	-850	-70
---------	---	------	-----

### Electronic Parameters

79A-073	73 MPH ROAD SPEED LIMIT		
79B-000	CRUISE CONTROL SPEED LIMIT SAME AS ROAD SPEED LIMIT		
79G-106	10 MINUTE IDLE SHUTDOWN - TIMER RESET WITH CLUTCH AND SERVICE BRAKE		
79K-007	PTO MODE ENGINE RPM LIMIT - 1100 RPM		
79P-002	PTO RPM WITH CRUISE SET SWITCH - 700 RPM		
79Q-003	PTO RPM WITH CRUISE RESUME SWITCH - 800 RPM		
79S-001	PTO MODE CANCEL VEHICLE SPEED - 5 MPH		
79U-007	PTO GOVERNOR RAMP RATE - 250 RPM PER SECOND		
79V-001	FUEL DOSING OF AFTERTREATMENT ENABLED IN PTO MODE-CLEANS HYDROCARBONS AT HIGH TEMPERATURES ONLY		
80G-002	PTO MINIMUM RPM - 700		
80J-001	REGEN INHIBIT SPEED THRESHOLD - 0 MPH		

### Engine Equipment

99C-021	2010 EPA/CARB/GHG21 CONFIGURATION		
99D-010	NO 2008 CARB EMISSION CERTIFICATION		
13E-001	STANDARD OIL PAN		
105-001	ENGINE MOUNTED OIL CHECK AND FILL		
014-1B5	SIDE OF HOOD AIR INTAKE WITH DONALDSON HIGH CAPACITY AIR CLEANER WITH SAFETY ELEMENT, FIREWALL MOUNTED		
124-1E1	DR 12V 200 AMP 28-SI QUADRAMOUNT PAD ALTERNATOR WITH REMOTE BATTERY VOLT SENSE		
292-216	(3) DTNA GENUINE, AGM STARTING AND CYCLING, MIN 2190CCA, 570RC, THREADED STUD BATTERIES		
290-1AC	PASSENGER SEAT BATTERY BOX VENTED TO OUTSIDE OF CAB		
282-013	BATTERY BOX MOUNTED UNDER PASSENGER SEAT		
291-017	WIRE GROUND RETURN FOR BATTERY CABLES WITH ADDITIONAL FRAME GROUND RETURN		
289-006	PLASTIC BATTERY BOX COVER		



Prepared for:  
 NORTH ROYALTON CITY OF  
 14600 STATE RD  
 NORTH ROYALTON, OH 44133  
 Phone: 440-336-5377

Prepared by:  
 Greg Simonic  
 CLEVELAND FREIGHTLINER, INC.  
 10901 Brookpark Rd  
 Parma, OH 44130  
 Phone: 216-267-4800

Data Code	Description	Weight Front	Weight Rear
293-072	POSITIVE LOAD DISCONNECT WITH DASH MOUNTED CONTROL SWITCH	10	
306-020	LOW VOLTAGE BATTERY DISCONNECT AT 12.1 VOLTS FOR ISOLATED CIRCUITS WITH LOCAL ALARM		
107-032	CUMMINS TURBOCHARGED 18.7 CFM AIR COMPRESSOR WITH INTERNAL SAFETY VALVE		
131-013	AIR COMPRESSOR DISCHARGE LINE		
152-040	ELECTRONIC ENGINE INTEGRAL WARNING AND DERATE PROTECTION SYSTEM		
128-076	CUMMINS ENGINE INTEGRAL BRAKE WITH VARIABLE GEOMETRY TURBO ON/OFF	20	
016-1C2	RH OUTBOARD UNDER STEP MOUNTED HORIZONTAL AFTERTREATMENT SYSTEM ASSEMBLY WITH RH B-PILLAR MOUNTED VERTICAL TAILPIPE		
28F-002	ENGINE AFTERTREATMENT DEVICE, AUTOMATIC OVER THE ROAD REGENERATION AND DASH MOUNTED REGENERATION REQUEST SWITCH		
239-026	10 FOOT 06 INCH (126 INCH+0/-5.9 INCH) EXHAUST SYSTEM HEIGHT		
233-017	STANDARD CURVE BRIGHT UPPER STACK(S)		
237-1CR	RH CURVED VERTICAL TAILPIPE B-PILLAR MOUNTED ROUTED FROM STEP		
23U-002	13 GALLON DIESEL EXHAUST FLUID TANK	35	10
30N-003	100 PERCENT DIESEL EXHAUST FLUID FILL		
23Y-001	STANDARD DIESEL EXHAUST FLUID PUMP MOUNTING		
23Z-002	NON-POLISHED ALUMINUM DIAMOND PLATE DIESEL EXHAUST FLUID TANK COVER	20	10
43X-002	LH MEDIUM DUTY STANDARD DIESEL EXHAUST FLUID TANK LOCATION		
242-001	STAINLESS STEEL AFTERTREATMENT DEVICE/MUFFLER/TAILOPIPE SHIELD		
273-018	HORTON DRIVEMASTER ADVANTAGE ON/OFF FAN DRIVE		
276-001	AUTOMATIC FAN CONTROL WITHOUT DASH SWITCH, NON ENGINE MOUNTED		
110-003	CUMMINS SPIN ON FUEL FILTER		
118-008	COMBINATION FULL FLOW/BYPASS OIL FILTER		
266-017	1300 SQUARE INCH ALUMINUM RADIATOR	-20	
267-006	MOUNTING FOR FIREWALL MOUNTED SURGE TANK		
103-039	ANTIFREEZE TO -34F, OAT (NITRITE AND SILICATE FREE) EXTENDED LIFE COOLANT		
171-007	GATES BLUE STRIPE COOLANT HOSES OR EQUIVALENT		



Prepared for:  
 NORTH ROYALTON CITY OF  
 14600 STATE RD  
 NORTH ROYALTON, OH 44133  
 Phone: 440-336-5377

Prepared by:  
 Greg Simonic  
 CLEVELAND FREIGHTLINER, INC.  
 10901 Brookpark Rd  
 Parma, OH 44130  
 Phone: 216-267-4800

Data Code	Description	Weight Front	Weight Rear
172-001	CONSTANT TENSION HOSE CLAMPS FOR COOLANT HOSES		
270-016	RADIATOR DRAIN VALVE		
168-002	LOWER RADIATOR GUARD		
360-013	1350 ADAPTER FLANGE FOR FRONT PTO PROVISION	20	
138-011	PHILLIPS-TEMRO 1000 WATT/115 VOLT BLOCK HEATER	4	
166-998	NO OIL PREHEATER		
140-038	CHROME ENGINE HEATER RECEPTACLE MOUNTED UNDER LH DOOR WITH CURRENT SENSOR LIGHT		
134-001	ALUMINUM FLYWHEEL HOUSING		
132-004	ELECTRIC GRID AIR INTAKE WARMER		
155-058	DELCO 12V 38MT HD STARTER WITH INTEGRATED MAGNETIC SWITCH	-35	

### Transmission

342-582	ALLISON 3000 RDS AUTOMATIC TRANSMISSION WITH PTO PROVISION	-110	-35
---------	--	------	-----

### Transmission Equipment

343-339	ALLISON VOCATIONAL PACKAGE 223 - AVAILABLE ON 3000/4000 PRODUCT FAMILIES WITH VOCATIONAL MODELS RDS, HS, MH AND TRV		
84B-012	ALLISON VOCATIONAL RATING FOR ON/OFF HIGHWAY APPLICATIONS AVAILABLE WITH ALL PRODUCT FAMILIES		
84C-023	PRIMARY MODE GEARS, LOWEST GEAR 1, START GEAR 1, HIGHEST GEAR 6, AVAILABLE FOR 3000/4000 PRODUCT FAMILIES ONLY		
84D-023	SECONDARY MODE GEARS, LOWEST GEAR 1, START GEAR 1, HIGHEST GEAR 6, AVAILABLE FOR 3000/4000 PRODUCT FAMILIES ONLY		
84E-013	S1 PERFORMANCE PRIMARY SHIFT SCHEDULE, AVAILABLE FOR 3000/4000 PRODUCT FAMILIES ONLY		
84F-012	S1 PERFORMANCE SECONDARY SHIFT SCHEDULE, AVAILABLE FOR 3000/4000 PRODUCT FAMILIES ONLY		
84G-012	2000 RPM PRIMARY MODE SHIFT SPEED		
84H-012	2000 RPM SECONDARY MODE SHIFT SPEED		
84N-200	FUEL SENSE 2.0 DISABLED - PERFORMANCE - TABLE BASED		
85F-054	MAXIMUM ENGINE SPEED FOR PTO OPERATION 3000 RPM		
85H-159	MAXIMUM OUTPUT SPEED FOR PTO OPERATION 4000 RPM - ALLISON 5TH GEN TRANSMISSIONS		



Prepared for:  
 NORTH ROYALTON CITY OF  
 14600 STATE RD  
 NORTH ROYALTON, OH 44133  
 Phone: 440-336-5377

Prepared by:  
 Greg Simonic  
 CLEVELAND FREIGHTLINER, INC.  
 10901 Brookpark Rd  
 Parma, OH 44130  
 Phone: 216-267-4800

Data Code	Description	Weight Front	Weight Rear
353-072	BODY LIGHTING POWER WIRED TO CUSTOMER INTERFACE CONNECTOR WITH SEPARATE & COMBO STOP/TURN		
34C-011	ELECTRONIC TRANSMISSION WIRING TO CUSTOMER INTERFACE CONNECTOR		
341-018	MAGNETIC PLUGS, ENGINE DRAIN, TRANSMISSION DRAIN, AXLE(S) FILL AND DRAIN		
345-003	PUSH BUTTON ELECTRONIC SHIFT CONTROL, DASH MOUNTED		
97G-004	TRANSMISSION PROGNOSTICS - ENABLED 2013		
370-015	WATER TO OIL TRANSMISSION COOLER, IN RADIATOR END TANK		
346-003	TRANSMISSION OIL CHECK AND FILL WITH ELECTRONIC OIL LEVEL CHECK		
35T-001	SYNTHETIC TRANSMISSION FLUID (TES-295 COMPLIANT)		

### Front Axle and Equipment

400-1A9	DETROIT DA-F-16.0-5 16,000# FL1 71.0 KPI/3.74 DROP SINGLE FRONT AXLE		
402-030	MERITOR 16.5X6 Q+ CAST SPIDER CAM FRONT BRAKES, DOUBLE ANCHOR, FABRICATED SHOES		
403-002	NON-ASBESTOS FRONT BRAKE LINING		
419-023	CONMET CAST IRON FRONT BRAKE DRUMS		
427-001	FRONT BRAKE DUST SHIELDS	5	
409-006	FRONT OIL SEALS		
408-001	VENTED FRONT HUB CAPS WITH WINDOW, CENTER AND SIDE PLUGS - OIL		
416-022	STANDARD SPINDLE NUTS FOR ALL AXLES		
405-002	MERITOR AUTOMATIC FRONT SLACK ADJUSTERS		
406-001	STANDARD KING PIN BUSHINGS		
536-012	TRW TAS-85 POWER STEERING		
539-003	POWER STEERING PUMP		
534-003	4 QUART POWER STEERING RESERVOIR	5	
533-001	OIL/AIR POWER STEERING COOLER	5	
40T-003	SYNTHETIC 40/50W FRONT AXLE LUBE		

### Front Suspension

620-026	16,000# TAPERLEAF FRONT SUSPENSION	-100	
619-005	MAINTENANCE FREE RUBBER BUSHINGS - FRONT SUSPENSION		
410-001	FRONT SHOCK ABSORBERS		

### Rear Axle and Equipment



Prepared for:  
 NORTH ROYALTON CITY OF  
 14600 STATE RD  
 NORTH ROYALTON, OH 44133  
 Phone: 440-336-5377

Prepared by:  
 Greg Simonic  
 CLEVELAND FREIGHTLINER, INC.  
 10901 Brookpark Rd  
 Parma, OH 44130  
 Phone: 216-267-4800

Data Code	Description	Weight Front	Weight Rear
420-051	RS-23-160 23,000# R-SERIES SINGLE REAR AXLE		-2,310
421-563	5.63 REAR AXLE RATIO		
424-001	IRON REAR AXLE CARRIER WITH STANDARD AXLE HOUSING		
386-011	SPL170 XL DANA SPICER MAIN DRIVELINE WITH HALF ROUND YOKES	-25	-25
452-001	DRIVER CONTROLLED TRACTION DIFFERENTIAL - SINGLE REAR AXLE		20
878-018	(1) DRIVER CONTROLLED DIFFERENTIAL LOCK REAR VALVE FOR SINGLE DRIVE AXLE		
87B-008	INDICATOR LIGHT FOR EACH DIFFERENTIAL LOCKOUT SWITCH		
423-033	MERITOR 16.5X7 Q+ CAST SPIDER HEAVY DUTY CAM REAR BRAKES, DOUBLE ANCHOR, FABRICATED SHOES		
433-002	NON-ASBESTOS REAR BRAKE LINING		
434-011	BRAKE CAMS AND CHAMBERS ON FORWARD SIDE OF DRIVE AXLE(S)		
451-023	CONMET CAST IRON REAR BRAKE DRUMS		
425-002	REAR BRAKE DUST SHIELDS		5
440-006	REAR OIL SEALS		
426-100	WABCO TRISTOP D LONGSTROKE 1-DRIVE AXLE SPRING PARKING CHAMBERS		-20
428-002	MERITOR AUTOMATIC REAR SLACK ADJUSTERS		
41T-002	CURRENT AVAILABLE SYNTHETIC 75W-90 REAR AXLE LUBE		

### Rear Suspension

622-1DF	30,000# FLAT LEAF SPRING REAR SUSPENSION WITH HELPER AND RADIUS ROD		150
621-001	SPRING SUSPENSION - NO AXLE SPACERS		
431-001	STANDARD AXLE SEATS IN AXLE CLAMP GROUP		
623-005	FORE/AFT CONTROL RODS		

### Brake System

490-100	WABCO 4S/4M ABS		
871-001	REINFORCED NYLON, FABRIC BRAID AND WIRE BRAID CHASSIS AIR LINES		
904-001	FIBER BRAID PARKING BRAKE HOSE		
412-001	STANDARD BRAKE SYSTEM VALVES		
432-003	RELAY VALVE WITH 5-8 PSI CRACK PRESSURE, NO REAR PROPORTIONING VALVE		
480-088	WABCO SYSTEM SAVER HP WITH INTEGRAL AIR GOVERNOR AND HEATER		





Prepared for:  
 NORTH ROYALTON CITY OF  
 14600 STATE RD  
 NORTH ROYALTON, OH 44133  
 Phone: 440-336-5377

Prepared by:  
 Greg Simonic  
 CLEVELAND FREIGHTLINER, INC.  
 10901 Brookpark Rd  
 Parma, OH 44130  
 Phone: 216-267-4800

Data Code	Description	Weight Front	Weight Rear
479-003	AIR DRYER MOUNTED INBOARD ON LH RAIL		
460-007	ALUMINUM AIR BRAKE RESERVOIRS	-10	-15
477-004	PULL CABLES ON ALL AIR RESERVOIR(S)		

### Trailer Connections

914-025	AIR CONNECTIONS TO END OF FRAME WITH GLAD HANDS FOR TRUCK AND DUST COVERS		
296-010	PRIMARY CONNECTOR/RECEPTACLE WIRED FOR SEPARATE STOP/TURN, ABS CENTER PIN POWERED THROUGH IGNITION		
303-026	SAE J560 7-WAY PRIMARY TRAILER CABLE RECEPTACLE TEMPORARY TIED & COILED IN CHASSIS END OF FRAME WITH 2' ADDITIONAL; NO BRACKETS		

### Wheelbase & Frame

545-432	4325MM (170 INCH) WHEELBASE		
546-102	7/16X3-9/16X11-1/8 INCH STEEL FRAME (11.11MMX282.6MM/0.437X11.13 INCH) 120KSI	80	150
547-034	PARTIAL INNER FRAME REINFORCEMENT AT FRONT SUSPENSION	195	-5
548-803	BODY COMPANY INSTALLED ADDITIONAL FRONT FRAME REINFORCEMENT FOR SNOW PLOW		
552-037	1775MM (70 INCH) REAR FRAME OVERHANG		
55W-006	FRAME OVERHANG RANGE: 61 INCH TO 70 INCH		
549-002	24 INCH INTEGRAL FRONT FRAME EXTENSION	158	-20
AC8-99D	CALC'D BACK OF CAB TO REAR SUSP C/L (CA) : 106.97 in		
AE8-99D	CALCULATED EFFECTIVE BACK OF CAB TO REAR SUSPENSION C/L (CA) : 103.97 in		
AE4-99D	CALC'D FRAME LENGTH - OVERALL : 309.78 in		
ZF1-99D	FRAME HEIGHT TOP FRONT UNLADEN : 40.87 in		
ZF2-99D	FRAME HEIGHT TOP FRONT LADEN : 38.08 in		
ZF3-99D	FRAME HEIGHT TOP REAR UNLADEN : 41.99 in		
ZF4-99D	FRAME HEIGHT TOP REAR LADEN : 39.23 in		
FSS-0LH	CALCULATED FRAME SPACE LH SIDE : 63.24 in		
FSS-0RH	CALCULATED FRAME SPACE RH SIDE : 132.68 in		
553-001	SQUARE END OF FRAME		
559-001	STANDARD WEIGHT ENGINE CROSSMEMBER		
561-001	STANDARD CROSSMEMBER BACK OF TRANSMISSION		
562-001	STANDARD MIDSHIP #1 CROSSMEMBER(S)		
572-001	STANDARD REARMOST CROSSMEMBER		
565-002	HEAVY DUTY SUSPENSION CROSSMEMBER		10



Prepared for:  
 NORTH ROYALTON CITY OF  
 14600 STATE RD  
 NORTH ROYALTON, OH 44133  
 Phone: 440-336-5377

Prepared by:  
 Greg Simonic  
 CLEVELAND FREIGHTLINER, INC.  
 10901 Brookpark Rd  
 Parma, OH 44130  
 Phone: 216-267-4800

Data Code	Description	Weight Front	Weight Rear
568-001	STANDARD WEIGHT REAR SUSPENSION CROSSMEMBER		
<b>Chassis Equipment</b>			
556-997	OMIT FRONT BUMPER, CUSTOMER INSTALLED SPECIAL BUMPER, DOES NOT COMPLY WITH FMCSR 393.203	-110	
586-015	FRONT ANTI-SPRAY CAB MOUNTED MUDFLAPS		
551-007	GRADE 8 THREADED HEX HEADED FRAME FASTENERS		
44Z-003	EXTERIOR HARNESES WRAPPED IN ABRASION TAPE & SECONDARY COVERING		
605-1AB	D15-16004-000 CENTER PUNCH TO MARK CENTERLINE OF REAR SUSPENSION ON FRAME WEB		
<b>Fuel Tanks</b>			
204-151	60 GALLON/227 LITER ALUMINUM FUEL TANK - LH		
218-006	25 INCH DIAMETER FUEL TANK(S)		
215-007	PLAIN ALUMINUM/PAINTED STEEL FUEL/HYDRAULIC TANK(S) WITH POLISHED STAINLESS STEEL BANDS		
212-007	FUEL TANK(S) FORWARD		
664-001	PLAIN STEP FINISH		
205-001	FUEL TANK CAP(S)		
122-1H7	DAVCO 245 FUEL/WATER SEPARATOR WITH WATER IN FUEL SENSOR	20	
216-020	EQUIFLO INBOARD FUEL SYSTEM		
202-016	HIGH TEMPERATURE REINFORCED NYLON FUEL LINE		
<b>Tires</b>			
093-1RJ	MICHELIN X WORKS Z 315/80R22.5 20 PLY RADIAL FRONT TIRES	100	
094-13T	MICHELIN X WORKS D 11R22.5 16 PLY RADIAL REAR TIRES		124
<b>Hubs</b>			
418-060	CONMET PRESET PLUS PREMIUM IRON FRONT HUBS		
450-060	CONMET PRESET PLUS PREMIUM IRON REAR HUBS		
<b>Wheels</b>			
502-433	ACCURIDE 29039 22.5X9.00 10-HUB PILOT 5.25 INSET 5-HAND STEEL DISC FRONT WHEELS	66	
505-428	ACCURIDE 28828 22.5X8.25 10-HUB PILOT 2-HAND HD STEEL DISC REAR WHEELS		52
496-011	FRONT WHEEL MOUNTING NUTS		



Prepared for:  
 NORTH ROYALTON CITY OF  
 14600 STATE RD  
 NORTH ROYALTON, OH 44133  
 Phone: 440-336-5377

Prepared by:  
 Greg Simonic  
 CLEVELAND FREIGHTLINER, INC.  
 10901 Brookpark Rd  
 Parma, OH 44130  
 Phone: 216-267-4800

Data Code	Description	Weight Front	Weight Rear
497-011	REAR WHEEL MOUNTING NUTS		
495-998	NO PUSHER/TAG WHEEL MOUNTING NUTS		
<b>Cab Exterior</b>			
829-1A8	110 INCH BBC STEEL CONVENTIONAL CAB		
82A-023	WESTERN STAR PAINTED ALUMINUM CAB SKIRT		
650-044	AIR CAB MOUNTS WITH CHECK VALVE		
705-056	STAINLESS STEEL SILL PLATES WITH RACEWAY	5	
648-002	NONREMOVABLE BUGSCREEN MOUNTED BEHIND GRILLE		
667-001	FRONT FENDERS		
754-001	2 INCH FENDER EXTENSIONS	5	
678-061	LH AND RH EXTENDED EXTERIOR GRAB HANDLES WITH RUBBER INSERTS AND LH AND RH INTERIOR GRAB HANDLES MOUNTED TO A POST		
646-008	STATIONARY BRIGHT FINISH GRILLE		
65X-003	CHROME HOOD MOUNTED AIR INTAKE GRILLE		
640-008	GALVANEALD STEEL SEVERE SERVICE CAB		
644-004	FIBERGLASS HOOD		
67U-002	HOOD OPENING ASSIST		
690-007	HOOD LINER INSULATION WITH SINGLE FIREWALL INSULATION		
727-096	DUAL ROUND AIR HORNS, SINGLE BASE, MOUNTED UNDER CAB		
726-002	DUAL ELECTRIC HORNS		
657-1B5	ALL UNIT(S) KEYED ALIKE WITH CUSTOMER SPECIFIED KEY NUMBER D335		
575-001	REAR LICENSE PLATE MOUNT END OF FRAME		
312-031	SINGLE RECTANGULAR H4 HALOGEN HEADLIGHTS WITH BRIGHT BEZELS		
302-022	LED MARKER LAMPS		
314-824	WIRING AND SWITCH FOR CUSTOMER FURNISHED SNOW PLOW LAMPS WITH DUAL CONNECTIONS AT BUMPER		
294-1AV	LED STOP/TAIL WITH SEPARATE LED BACKUP LIGHTS MOUNTED ON PAINTED STEEL PLATE END OF FRAME		5
300-015	STANDARD FRONT TURN SIGNAL LAMPS		
744-008	DUAL WEST COAST STAINLESS STEEL HEATED MIRRORS		
797-001	DOOR MOUNTED MIRRORS		
796-001	102 INCH EQUIPMENT WIDTH		



Prepared for:  
 NORTH ROYALTON CITY OF  
 14600 STATE RD  
 NORTH ROYALTON, OH 44133  
 Phone: 440-336-5377

Prepared by:  
 Greg Simonic  
 CLEVELAND FREIGHTLINER, INC.  
 10901 Brookpark Rd  
 Parma, OH 44130  
 Phone: 216-267-4800

Data Code	Description	Weight Front	Weight Rear
743-1AA	LH AND RH SUREPLUS 574 8 INCH BRIGHT FINISH HEATED CONVEX MIRRORS WITH SEPARATE ADJUSTMENT, MOUNTED BELOW MIRROR		
74A-001	RH DOWN VIEW MIRROR		
74B-1B4	RH AND LH 8 INCH HEATED STAINLESS STEEL FENDER MOUNTED CONVEX MIRRORS WITH TRIPOD BRACKETS	12	
729-001	STANDARD SIDE/REAR REFLECTORS		
677-054	RH AFTERTREATMENT SYSTEM CAB ACCESS WITH PLAIN DIAMOND PLATE COVER		
768-046	17.5X35 INCH TINTED REAR WINDOW		
661-006	TINTED DOOR GLASS		
654-003	MANUAL DOOR WINDOW REGULATORS		
769-002	LOWER RH DOOR WINDOW WITH FRESNEL LENS	7	
663-023	2-PIECE ROPED-IN HEATED WIPER PARK SOLAR GREEN GLASS WINDSHIELD		
659-026	2 GALLON WINDSHIELD WASHER RESERVOIR WITH FLUID LEVEL INDICATOR, MOUNTED UNDER CAB, WITH REMOTE FILL		

### Cab Interior

707-1D0	GRAY VINYL BASE INTERIOR		
70K-005	BLACK HARD TRIM		
706-049	BASE LEFT HAND DOOR TRIM		
708-049	BASE RIGHT HAND DOOR TRIM		
772-006	BLACK MATS WITH SINGLE INSULATION		
785-019	NO DASH MOUNTED ASH TRAY, POWER RECEPTACLE IN LIEU OF LIGHTER		
691-001	FORWARD ROOF MOUNTED CONSOLE		
693-025	LH AND RH DOOR MAP POCKETS		
741-015	(2) COAT HOOKS ON BACKWALL OF CAB		
742-032	(1) DOUBLE CUP HOLDER WITH CELL PHONE HOLDER LH OR RH DASH		
680-034	TWO-TONE CHARCOAL UPPER/COOL GRAY LOWER SOFT TOUCH WING DASH WITH BLACK DRIVER SIDE COSMETIC UNDER DASH COVER		
720-002	2-1/2 LB. FIRE EXTINGUISHER	5	
700-023	HEATER, DEFROSTER AND AIR CONDITIONER WITH CONSTANT TEMPERATURE CONTROL AND COSMETIC COVER		
701-016	HVAC DUCTING WITH FOAM MAIN FRESH AIR FILTER		
703-005	MAIN HVAC CONTROLS WITH RECIRCULATION SWITCH		



Prepared for:  
 NORTH ROYALTON CITY OF  
 14600 STATE RD  
 NORTH ROYALTON, OH 44133  
 Phone: 440-336-5377

Prepared by:  
 Greg Simonic  
 CLEVELAND FREIGHTLINER, INC.  
 10901 Brookpark Rd  
 Parma, OH 44130  
 Phone: 216-267-4800

Data Code	Description	Weight Front	Weight Rear
170-019	STANDARD HEATER PLUMBING WITH BALL SHUTOFF VALVES		
130-041	VALEO HEAVY DUTY A/C REFRIGERANT COMPRESSOR		
698-001	RADIATOR MOUNTED AIR CONDITIONER CONDENSER		
702-002	BINARY CONTROL, R-134A		
739-002	ADDITIONAL CAB SIDEWALL INSULATION	60	10
285-033	AUTOMATIC SELF-RESET CIRCUIT BREAKERS/FUSES IN DASH POWER DISTRIBUTION BOXES AND FUSES IN AUXILIARY POWER DISTRIBUTION BOXES		
324-076	DOOR ACTIVATED DOME LIGHT, UNDER DASH LIGHT WITH LH AND RH DOOR MOUNTED COURTESY LIGHTS AND LH AND RH READING LIGHTS		
655-001	CAB DOOR LATCHES WITH MANUAL DOOR LOCKS		
284-110	(1) 12 VOLT POWER SUPPLY AND (2) USB PORTS MOUNTED IN DASH		
756-1DD	BASIC HIGH BACK AIR SUSPENSION DRIVER SEAT WITH 1 CHAMBER AIR LUMBAR, INTEGRATED CUSHION EXTENSION AND REAR CUSHION TILT		
760-294	BATTERY BOX MID BACK NON SUSPENSION PASSENGER SEAT		
759-007	DUAL DRIVER SEAT ARMRESTS, NO PASSENGER SEAT ARMRESTS	4	
758-1AA	GRAY VINYL DRIVER SEAT COVER		
761-1AA	GRAY VINYL PASSENGER SEAT COVER		
763-003	3 POINT DRIVER AND PASSENGER SEAT BELT RETRACTORS		
532-002	ADJUSTABLE TILT AND TELESCOPING STEERING COLUMN		
540-044	4-SPOKE 18 INCH (450MM) BLACK STEERING WHEEL WITH SWITCHES		
765-002	DRIVER AND PASSENGER INTERIOR SUN VISORS		

### Instruments & Controls

185-002	NON-ADJUSTABLE SUSPENDED PEDALS
106-002	ELECTRONIC ACCELERATOR CONTROL
870-002	BRIGHT ARGENT FINISH GAUGE BEZELS
732-053	BLACK VINYL DRIVER INSTRUMENT PANEL
734-021	BLACK VINYL CENTER INSTRUMENT PANEL
486-001	LOW AIR PRESSURE INDICATOR LIGHT AND AUDIBLE ALARM



Prepared for:  
 NORTH ROYALTON CITY OF  
 14600 STATE RD  
 NORTH ROYALTON, OH 44133  
 Phone: 440-336-5377

Prepared by:  
 Greg Simonic  
 CLEVELAND FREIGHTLINER, INC.  
 10901 Brookpark Rd  
 Parma, OH 44130  
 Phone: 216-267-4800

Data Code	Description	Weight Front	Weight Rear
840-002	2 INCH PRIMARY AND SECONDARY AIR PRESSURE GAUGES		
198-002	INTAKE MOUNTED AIR RESTRICTION INDICATOR WITH GRADUATIONS		
721-021	87 DB TO 112 DB SELF-ADJUSTING BACKUP ALARM		3
149-015	ELECTRONIC CRUISE CONTROL WITH CONTROLS ON STEERING WHEEL SPOKES		
156-007	KEY OPERATED IGNITION SWITCH AND INTEGRAL START POSITION; 4 POSITION OFF/RUN/START/ACCESSORY		
811-041	ICU4ME DRIVER MESSAGE CENTER WITH GRAPHICAL DISPLAY, BLACK FACE GAUGES, DIAGNOSTICS AND DATA LINKED		
160-038	HEAVY DUTY ONBOARD DIAGNOSTICS INTERFACE CONNECTOR LOCATED BELOW LH DASH		
844-001	2 INCH ELECTRIC FUEL GAUGE		
148-003	PROGRAMMABLE RPM CONTROL - ELECTRONIC ENGINE		
44Y-002	CUSTOMER INTERFACE CONNECTOR LOCATED BETWEEN SEATS WITH BLUNTCUTS		
856-001	ELECTRICAL ENGINE COOLANT TEMPERATURE GAUGE		
864-001	2 INCH TRANSMISSION OIL TEMPERATURE GAUGE		
867-004	ELECTRONIC OUTSIDE TEMPERATURE SENSOR DISPLAY IN DRIVER MESSAGE CENTER		
852-002	ELECTRIC ENGINE OIL PRESSURE GAUGE		
746-137	AM/FM/WB WORLD TUNER RADIO WITH BLUETOOTH, USB AND AUXILIARY INPUTS, J1939	10	
747-002	ROOF/OVERHEAD CONSOLE MOUNTED RADIO		
750-004	(4) RADIO SPEAKERS IN CAB		
753-021	AM/FM ANTENNA MOUNTED ON LH FRONT A-PILLAR	2	
748-026	POWER AND GROUND WIRING FOR CB RADIO IN OVERHEAD CONSOLE		
749-001	ROOF/OVERHEAD CONSOLE CB RADIO PROVISION		
752-998	NO CB ANTENNA, BRACKET OR LEAD		
810-042	ELECTRONIC MPH SPEEDOMETER WITH SECONDARY KPH SCALE, WITH ODOMETER		
817-008	STANDARD VEHICLE SPEED SENSOR WITH ADDITIONAL SIGNAL FOR CUSTOMER USE LOCATED BETWEEN DRIVER AND PASSENGER SEATS		



Prepared for:  
 NORTH ROYALTON CITY OF  
 14600 STATE RD  
 NORTH ROYALTON, OH 44133  
 Phone: 440-336-5377

Prepared by:  
 Greg Simonic  
 CLEVELAND FREIGHTLINER, INC.  
 10901 Brookpark Rd  
 Parma, OH 44130  
 Phone: 216-267-4800

Data Code	Description	Weight Front	Weight Rear
812-001	ELECTRONIC 3000 RPM TACHOMETER		
813-998	NO VEHICLE PERFORMANCE MONITOR	-5	
162-002	IGNITION SWITCH CONTROLLED ENGINE STOP		
329-018	SIX EXTRA SWITCHES IN DASH		
4C1-002	HARDWIRE SWITCH #1,ON/OFF LATCHING, 20 AMPS IGNITION WIRED TO CUSTOMER INTERFACE CONNECTOR		
4C2-002	HARDWIRE SWITCH #2,ON/OFF LATCHING, 20 AMPS IGNITION WIRED TO CUSTOMER INTERFACECONNECTOR		
4C3-002	HARDWIRE SWITCH #3,ON/OFF LATCHING, 20 AMPS IGNITION WIRED TO CUSTOMER INTERFACECONNECTOR		
4C4-002	HARDWIRE SWITCH #4,ON/OFF LATCHING, 20 AMPS IGNITION WIRED TO CUSTOMER INTERFACECONNECTOR		
4C5-002	HARDWIRE SWITCH #5,ON/OFF LATCHING, 20 AMPS IGNITION WIRED TO CUSTOMER INTERFACECONNECTOR		
4C6-002	HARDWIRE SWITCH #6,ON/OFF LATCHING, 20 AMPS IGNITION WIRED TO CUSTOMER INTERFACECONNECTOR		
482-001	BW TRACTOR PROTECTION VALVE		
883-001	TRAILER HAND CONTROL BRAKE VALVE		
836-015	DIGITAL VOLTAGE DISPLAY INTEGRAL WITH DRIVER DISPLAY		
660-001	SINGLE ELECTRIC WINDSHIELD WIPER MOTOR WITH DELAY AND ARCTIC TYPE BLADES		
304-060	MARKER LIGHT SWITCH INTEGRAL WITH HEADLIGHT SW WITH HEADLIGHT/MRKR LT INTERRUPTER SWITCHES ON STEERING WHEEL & DASH SW FOR CUSTOMER FURNISHED SNOWPLOW LTS		
882-004	TWO VALVE PARKING BRAKE SYSTEM WITH WARNING INDICATOR		
299-039	SELF CANCELING TURN SIGNAL SWITCH, HEADLAMP HIGH/LOW AND FLASH, WASH/WIPE/INTERMITTENT		
298-036	PACIFIC INSIGHT ELECTRONIC FLASHER		

### Design

\* 065-000 PAINT: ONE SOLID COLOR  
 PAINT REVIEW REQUIRED

### Color

980-4KF CAB COLOR A: L0060EY BLUE ELITE EY  
 96J-001 CAB INTERIOR PAINTED SAME AS CAB COLOR  
 986-020 BLACK, HIGH SOLIDS POLYURETHANE CHASSIS PAINT



Prepared for:  
 NORTH ROYALTON CITY OF  
 14600 STATE RD  
 NORTH ROYALTON, OH 44133  
 Phone: 440-336-5377

Prepared by:  
 Greg Simonic  
 CLEVELAND FREIGHTLINER, INC.  
 10901 Brookpark Rd  
 Parma, OH 44130  
 Phone: 216-267-4800

Data Code	Description	Weight Front	Weight Rear
962-972	POWDER WHITE (N0006EA) FRONT WHEELS/RIMS (PKWHT21, TKWHT21, W, TW)		
966-972	POWDER WHITE (N0006EA) REAR WHEELS/RIMS (PKWHT21, TKWHT21, W, TW)		

### Extended Front Axle Coverage

WA4-035 AXLE: DETROIT FRONT ONLY: HD MODERATE 5 YEARS/100,000 MILES/161,000 KM EXTENDED AXLE COVERAGE

### Certification / Compliance

996-001 U.S. FMVSS CERTIFICATION, EXCEPT SALES CABS AND GLIDER KITS

### Secondary Factory Options

999-014 DEALER HAS BEEN ADVISED OF AND ACCEPTED RESPONSIBILITY FOR MODIFICATIONS DUE TO POSSIBLE PTO/CHASSIS INTERFERENCE

### Raw Performance Data

AE8-99D CALCULATED EFFECTIVE BACK OF CAB TO REAR SUSPENSION C/L (CA) : 103.97 in

## TOTAL VEHICLE SUMMARY

### Weight Summary

	Weight Front	Weight Rear	Total Weight
Factory Weight <sup>+</sup>	8813 lbs	4539 lbs	13352 lbs
Total Weight <sup>+</sup>	8813 lbs	4539 lbs	13352 lbs

### Extended Warranty

\* WAI-991 CUM 2017 L9: HD1 MD DTY 7 YEARS / 150,000 MILES / 241,500 KM EXTENDED WARRANTY. FEX APPLIES

N WAX-193 CUM 2017 L9: AT3 MD DTY 6 YEARS / 150,000 MILES / 241,500 KM AFTERTREATMENT. FEX APPLIES

WBB-472 TC4: US HD STANDARD/MODERATE VOCATIONAL 7 YEARS/100,000 MILES/161,000 KM EXTENDED TRUCK COVERAGE

WAL-338 AXLE: DETROIT TANDEM REAR ONLY: HD MODERATE 5 YEAR/100,000 MILE/161,000 KM EXTENDED COVERAGE





**Prepared for:**  
NORTH ROYALTON CITY OF  
14600 STATE RD  
NORTH ROYALTON, OH 44133  
Phone: 440-336-5377

**Prepared by:**  
Greg Simonic  
CLEVELAND FREIGHTLINER, INC.  
10901 Brookpark Rd  
Parma, OH 44130  
Phone: 216-267-4800

(+) Weights shown are estimates only.

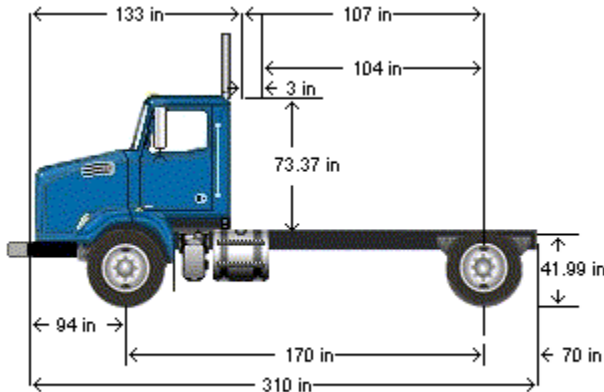
If weight is critical, contact Customer Application Engineering.

(\*\*\*) All cost increases for major components (Engines, Transmissions, Axles, Front and Rear Tires) and government mandated requirements, tariffs, and raw material surcharges will be passed through and added to factory invoices.

Prepared for:  
 NORTH ROYALTON CITY OF  
 14600 STATE RD  
 NORTH ROYALTON, OH 44133  
 Phone: 440-336-5377

Prepared by:  
 Greg Simonic  
 CLEVELAND FREIGHTLINER, INC.  
 10901 Brookpark Rd  
 Parma, OH 44130  
 Phone: 216-267-4800

## D I M E N S I O N S



### VEHICLE SPECIFICATIONS SUMMARY - DIMENSIONS

Model .....	4700SB
Wheelbase (545) .....	4325MM (170 INCH) WHEELBASE
Rear Frame Overhang (552) .....	1775MM (70 INCH) REAR FRAME OVERHANG
Fifth Wheel (578) .....	NO FIFTH WHEEL
Mounting Location (577) .....	NO FIFTH WHEEL LOCATION
Maximum Forward Position (in) .....	0
Maximum Rearward Position (in) .....	0
Amount of Slide Travel (in) .....	0
Slide Increment (in) .....	0
Desired Slide Position (in) .....	0.0
Cab Size (829) .....	110 INCH BBC STEEL CONVENTIONAL CAB
Sleeper (682) .....	NO SLEEPER BOX/SLEEPERCAB
Exhaust System (016) .....	RH OUTBOARD UNDER STEP MOUNTED HORIZONTAL AFTERTREATMENT SYSTEM ASSEMBLY WITH RH B-PILLAR MOUNTED VERTICAL TAILPIPE

### TABLE SUMMARY - DIMENSIONS

**Prepared for:**  
 NORTH ROYALTON CITY OF  
 14600 STATE RD  
 NORTH ROYALTON, OH 44133  
 Phone: 440-336-5377

**Prepared by:**  
 Greg Simonic  
 CLEVELAND FREIGHTLINER, INC.  
 10901 Brookpark Rd  
 Parma, OH 44130  
 Phone: 216-267-4800

Dimensions	Inches
Bumper to Back of Cab (BBC)	133.2
Bumper to Centerline of Front Axle (BA)	93.9
Min. Cab to Body Clearance (CB)	3.0
Back of Cab to Centerline of Rear Axle(s) (CA)	107.0
Effective Back of Cab to Centerline of Rear Axle(s) (Effective CA)	104.0
Back of Cab Protrusions (Exhaust/Intake) (CP)	4.0
Back of Cab Protrusions (Side Extenders/Trim Tab) (CP)	0.0
Back of Cab Protrusions (CNG Tank)	0.0
Back of Cab Clearance (CL)	3.0
Back of Cab to End of Frame	176.9
Cab Height (CH)	73.4
Wheelbase (WB)	170.3
Frame Overhang (OH)	69.9
Overall Frame Length	309.8
Overall Length (OAL)	310.1
Rear Axle Spacing	0.0
Unladen Frame Height at Centerline of Rear Axle	42.0

Performance calculations are estimates only. If performance calculations are critical, please contact Customer Application Engineering.

Prepared for:  
 NORTH ROYALTON CITY OF  
 14600 STATE RD  
 NORTH ROYALTON, OH 44133  
 Phone: 440-336-5377

Prepared by:  
 Greg Simonic  
 CLEVELAND FREIGHTLINER, INC.  
 10901 Brookpark Rd  
 Parma, OH 44130  
 Phone: 216-267-4800

**G V W R**

**VEHICLE SPECIFICATIONS SUMMARY - GVWR**

Model .....	4700SB
Cab Size (829).....	110 INCH BBC STEEL CONVENTIONAL CAB
Expected Front Axle(s) Load (lbs).....	16000.0
Expected Pusher Axle(s) Load (lbs).....	0.0
Expected Rear Axle(s) Load (lbs) .....	23000.0
Expected Tag Axle(s) Load (lbs).....	0.0
Expected GVW (lbs) .....	39000
Expected GCW (lbs).....	80000.0
Front Axle (400).....	DETROIT DA-F-16.0-5 16,000# FL1 71.0 KPI/3.74 DROP SINGLE FRONT AXLE
Front Suspension (620).....	16,000# TAPERLEAF FRONT SUSPENSION
Front Hubs (418) .....	CONMET PRESET PLUS PREMIUM IRON FRONT HUBS
Front Disc Wheels (502).....	ACCURIDE 29039 22.5X9.00 10-HUB PILOT 5.25 INSET 5-HAND STEEL DISC FRONT WHEELS
Front Tires (093).....	MICHELIN X WORKS Z 315/80R22.5 20 PLY RADIAL FRONT TIRES
Front Brakes (402).....	MERITOR 16.5X6 Q+ CAST SPIDER CAM FRONT BRAKES, DOUBLE ANCHOR, FABRICATED SHOES
Steering Gear (536).....	TRW TAS-85 POWER STEERING
Rear Axle (420) .....	RS-23-160 23,000# R-SERIES SINGLE REAR AXLE
Rear Suspension (622).....	30,000# FLAT LEAF SPRING REAR SUSPENSION WITH HELPER AND RADIUS ROD
Rear Hubs (450).....	CONMET PRESET PLUS PREMIUM IRON REAR HUBS
Rear Disc Wheels (505).....	ACCURIDE 28828 22.5X8.25 10-HUB PILOT 2-HAND HD STEEL DISC REAR WHEELS
Rear Tires (094) .....	MICHELIN X WORKS D 11R22.5 16 PLY RADIAL REAR TIRES
Rear Brakes (423) .	MERITOR 16.5X7 Q+ CAST SPIDER HEAVY DUTY CAM REAR BRAKES, DOUBLE ANCHOR, FABRICATED SHOES
Pusher / Tag Axle (443).....	NO PUSHER OR TAG AXLE
Pusher / Tag Suspension (626) .....	NO PUSHER OR TAG SUSPENSION
Pusher / Tag Hubs (449).....	NO PUSHER OR TAG HUBS
Pusher/Tag Disc Wheels (509) .....	NO PUSHER/TAG DISC WHEELS
Pusher / Tag Tires (095).....	NO PUSHER/TAG TIRES
Pusher / Tag Brakes (456).....	NO PUSHER/TAG BRAKES

**TABLE SUMMARY - GVWR**



**Prepared for:**  
 NORTH ROYALTON CITY OF  
 14600 STATE RD  
 NORTH ROYALTON, OH 44133  
 Phone: 440-336-5377

**Prepared by:**  
 Greg Simonic  
 CLEVELAND FREIGHTLINER, INC.  
 10901 Brookpark Rd  
 Parma, OH 44130  
 Phone: 216-267-4800

	Front	Rear
<b>Axle Component Weight Ratings</b>		
Axles	16000	23000
Suspension	16000	30000
Hubs	23000	26000
Brakes	18000	23000
Wheels	20000	32000
Tires	18180	24020
Power Steering	18000	N/A
GAWR (per axle)	16000	23000
GAWR (per axle system)	16000	23000
Expected Load (per axle system)	16000	23000
GVWR due to Frame	90000	
GVWR due to Transmission	80000	
<b>Vehicle GVWR Summary</b>		
Calculated GVWR	39000	
Expected GVWR	39000	
All weights displayed in pounds		

Performance calculations are estimates only. If performance calculations are critical, please contact Customer Application Engineering.



Prepared for:  
 NORTH ROYALTON CITY OF  
 14600 STATE RD  
 NORTH ROYALTON, OH 44133  
 Phone: 440-336-5377

Prepared by:  
 Greg Simonic  
 CLEVELAND FREIGHTLINER, INC.  
 10901 Brookpark Rd  
 Parma, OH 44130  
 Phone: 216-267-4800

## Q U O T A T I O N

### 4700 SET-BACK FRONT AXLE CHASSIS

SET BACK AXLE - TRUCK CUM L9 350 HP @ 2200 RPM; 2200 GOV RPM, 1050 LB-FT @ 1200 RPM ALLISON 3000 RDS AUTOMATIC TRANSMISSION WITH PTO PROVISION RS-23-160 23,000# R-SERIES SINGLE REAR AXLE 30,000# FLAT LEAF SPRING REAR SUSPENSION WITH HELPER AND RADIUS ROD DETROIT DA-F-16.0-5 16,000# FL1 71.0 KPI/3.74 DROP SINGLE FRONT AXLE 16,000# TAPERLEAF FRONT SUSPENSION	110 INCH BBC STEEL CONVENTIONAL CAB 4325MM (170 INCH) WHEELBASE 7/16X3-9/16X11-1/8 INCH STEEL FRAME (11.11MMX282.6MM/0.437X11.13 INCH) 120KSI 1775MM (70 INCH) REAR FRAME OVERHANG PARTIAL INNER FRAME REINFORCEMENT AT FRONT SUSPENSION BODY COMPANY INSTALLED ADDITIONAL FRONT FRAME REINFORCEMENT FOR SNOW PLOW
--	--

		PER UNIT		TOTAL
VEHICLE PRICE	<b>TOTAL # OF UNITS (1)</b>	\$ 101,596	\$	101,596
EXTENDED WARRANTY		\$ 7,670	\$	7,670
DEALER INSTALLED OPTIONS		\$ 0	\$	0
<b>CUSTOMER PRICE BEFORE TAX</b>		<b>\$ 109,266</b>	<b>\$</b>	<b>109,266</b>

### TAXES AND FEES

TAXES AND FEES	\$	0	\$	0
OTHER CHARGES	\$	0	\$	0

### TRADE-IN

TRADE-IN ALLOWANCE	\$	(0)	\$	(0)
--------------------	----	-----	----	-----

BALANCE DUE	(LOCAL CURRENCY)	\$ 109,266	\$	109,266
-------------	------------------	------------	----	---------

*Base chassis priced under Ohio Department of Transportation contract 023-22 cooperative pricing. Pricing is valid for Ohio municipal purchases and eligibility coincides with contract terms and dates. It is the responsibility of the purchasing entity to request and determine eligibility of cooperative purchases. A purchase order to this proposal thereby agrees to the pricing, specifications, and terms the cooperative contract unless other arrangements are agreed upon. If this an order, please consult with your body builder to assure all dimensions, rating, and necessary chassis components are included the specification. All specifications and pricing are subject to final engineering review, production availability and surcharges. Invoicing will occur upon delivery of bare chassis to customer, or drop ship location. Payment is due upon receipt of invoice. Titles will be transferred and delivered promptly upon receipt of payment and titling forms.*

**APPROVAL:**

Please indicate your acceptance of this quotation by signing below:

Customer: X \_\_\_\_\_ Date: \_\_\_\_ / \_\_\_\_ / \_\_\_\_.



**Prepared for:**  
NORTH ROYALTON CITY OF  
14600 STATE RD  
NORTH ROYALTON, OH 44133  
Phone: 440-336-5377

**Prepared by:**  
Greg Simonic  
CLEVELAND FREIGHTLINER, INC.  
10901 Brookpark Rd  
Parma, OH 44130  
Phone: 216-267-4800



## OHIO DEPARTMENT OF TRANSPORTATION

CENTRAL OFFICE - 1980 WEST BROAD STREET - COLUMBUS, OH 43223  
MIKE DEWINE, GOVERNOR - JACK MARCHBANKS, PH.D., DIRECTOR

September 23, 2021

Valley Freightliner Sterling and Western Star, Inc  
10901 Brook Park Rd.  
Parma, OH 44130

Re: 023-22  
Single & Tandem Axle Cab and Chassis

Dear Vendor:

Your bid proposal as submitted has been accepted by the Ohio Department of Transportation.

This Invitation permits multiple awarded vendors to provide Single & Tandem Axle Cab and Chassis. The contract will be in effect from October 1, 2021 to September 30, 2022.

A purchase shall only take place upon the issuance of an official purchase order or the use of a payment card. There is no guarantee that purchase orders will be issued or that products will be ordered against issued purchase orders.

Thank you for bidding on our invitation. Todd VanKirk is available for any assistance necessary to ensure that a quality partnership exists between your company and our Department. If you have any questions, please call (614) 466-3209.

Respectfully,

A handwritten signature in black ink, appearing to read 'Jack Marchbanks'.

Jack Marchbanks, Ph.D.  
Director  
Ohio Department of Transportation