

Table with 4 columns: REV, DATE, DRAWN BY, DESCRIPTION. The table is currently empty.

**DRAFT**  
DATE: 09/05/2023

CONCEPT PLAN  
FOR  
HOME TERRACE PARK

BLOCK 2905, LOT 3

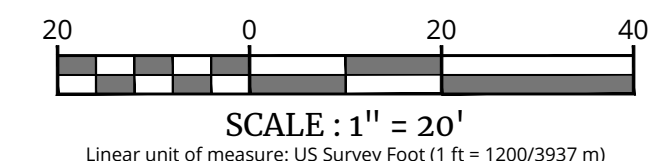
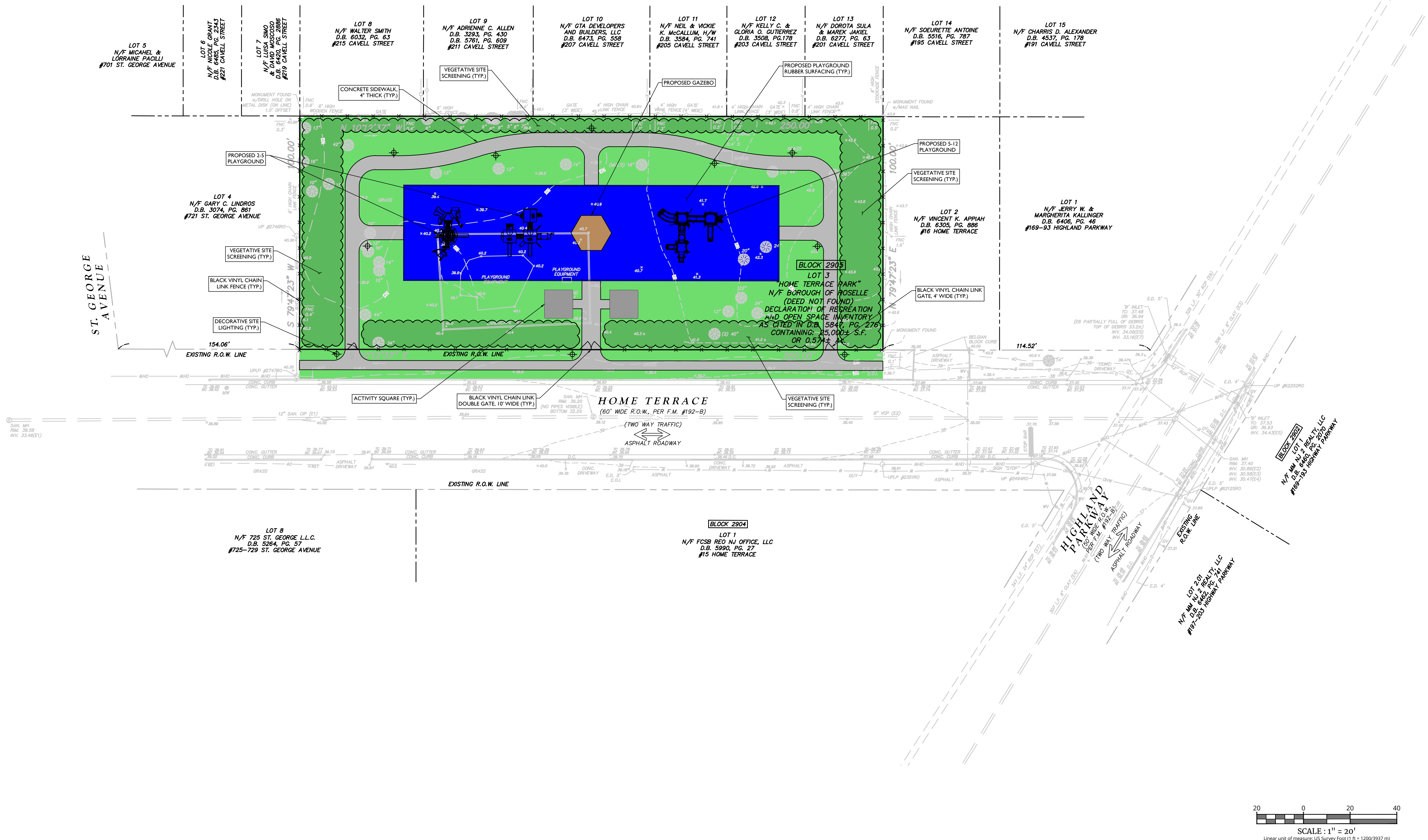
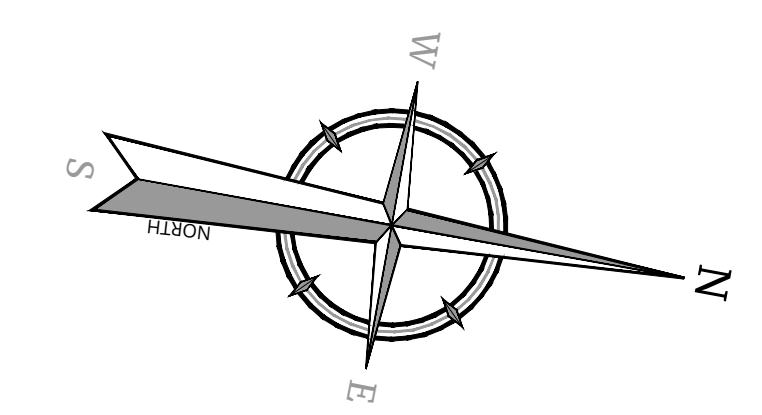
BOROUGH OF ROSELLE  
UNION COUNTY  
NEW JERSEY

Colliers Engineering & Design  
400 Valley Road, Suite 304  
Mt. Arlington, NJ 07856  
Phone: 973.398.3110  
COLLIERS ENGINEERING & DESIGN, INC.  
DOING BUSINESS AS MASER CONSULTING

Table with 4 columns: SCALE, DATE, DRAWN BY, CHECKED BY. Values: AS SHOWN, 9/1/23, PPC, BKP.

CONCEPT AND  
RENDERING PLAN

SHEET NUMBER: 1 of 1



NOTE: DO NOT SCALE DRAWINGS FOR CONSTRUCTION.