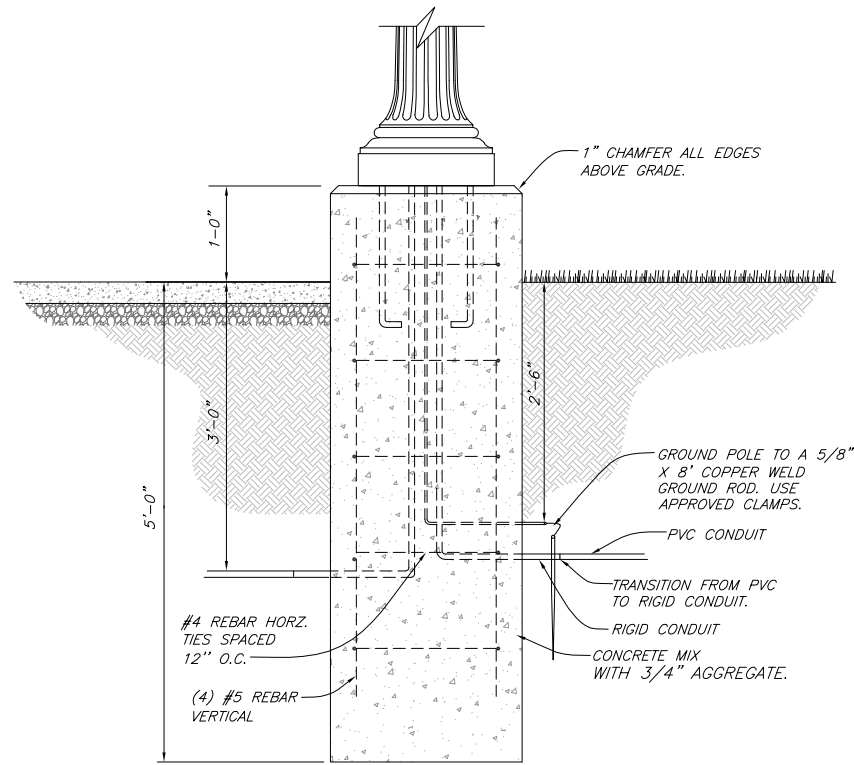
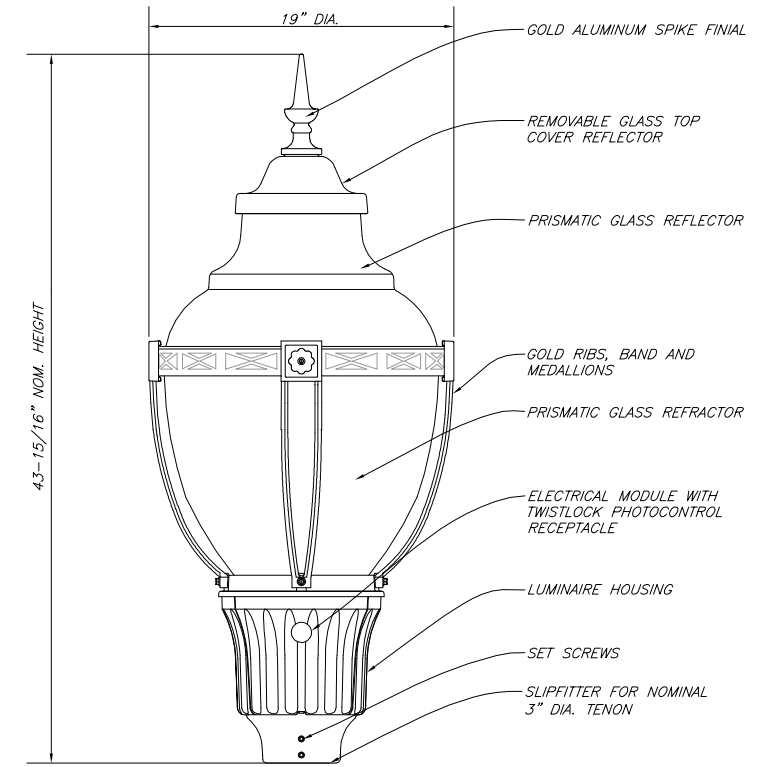


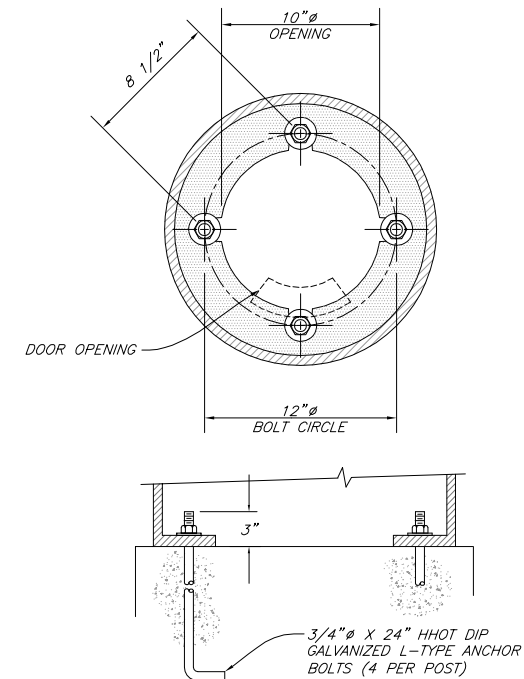
POLE DETAIL
SCALE: 1" = 4'



BASE DETAIL
SCALE: 1" = 2'

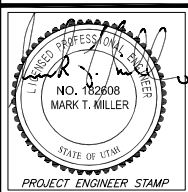


LUMINAIRE DETAIL
SCALE: 1/2" = 1'



CONNECTION DETAIL
SCALE: 1/2" = 1'

WC-CAD\07-SOC\800-CITY-STNDS\PUBLIC-WORKS\DWG\SO-STD-17.DWG



WASATCH CIVIL
Consulting Engineering
5320 SOUTH 1950 WEST, SUITE 1
ROY CITY, UT 84067 (801) 775-9191

REV.	DATE	APPR.

DESIGNED M.T.M. DATE JAN. 23, 2004
DRAWN C.G.S. SCALE: AS SHOWN
CHECKED M.T.M.

SOUTH OGDEN
CITY CORPORATION

PUBLIC WORKS STANDARDS
DECORATIVE STREET LIGHTING STANDARDS

SHEET:
17
OF 17 SHEETS