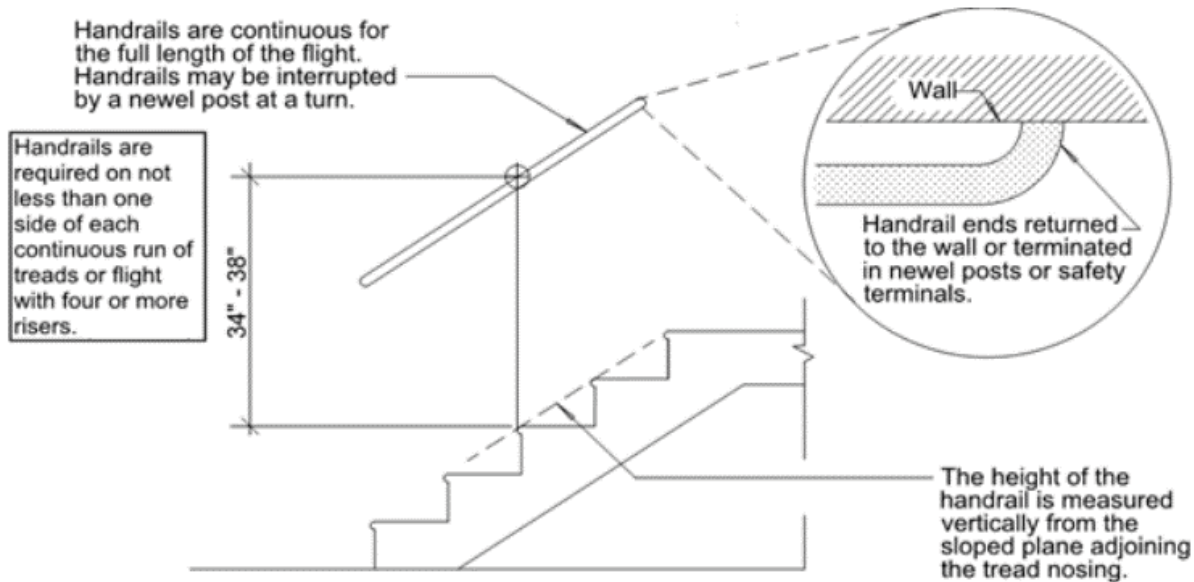
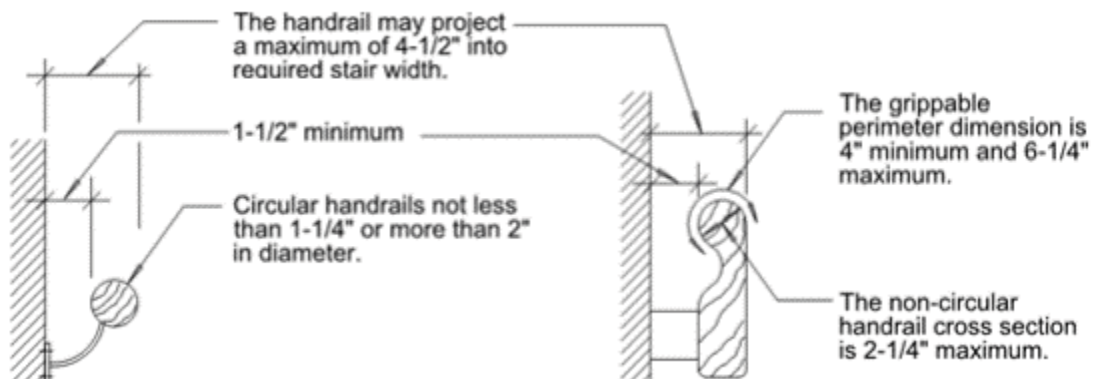


This Tip Sheet reflects code requirements of the 2015 International Residential Code (IRC) with Washington State Amendments.

Handrails are required on at least one side of each continuous run of treads or flight with four or more risers.



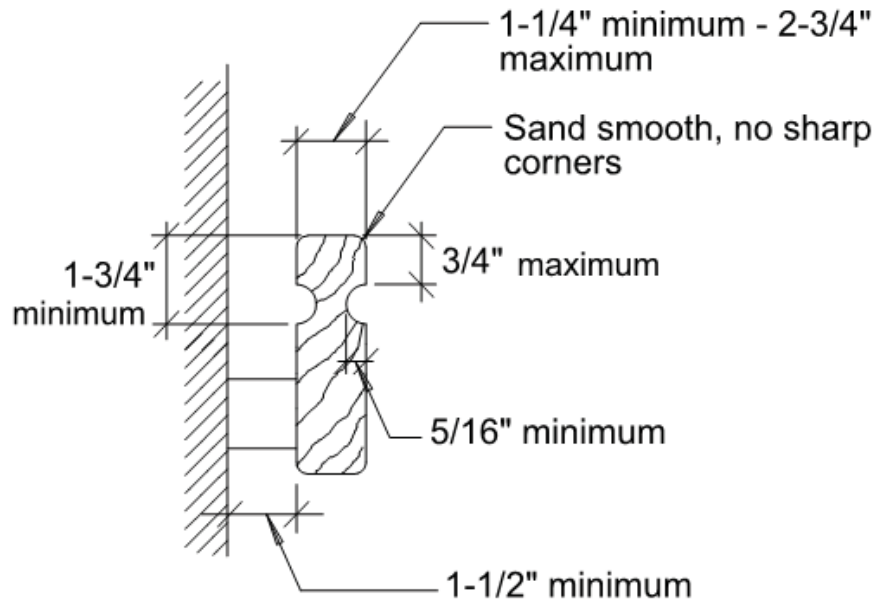
Typical Handrail Elevation R311.7.8



Type I Handrails R311.7.8.3

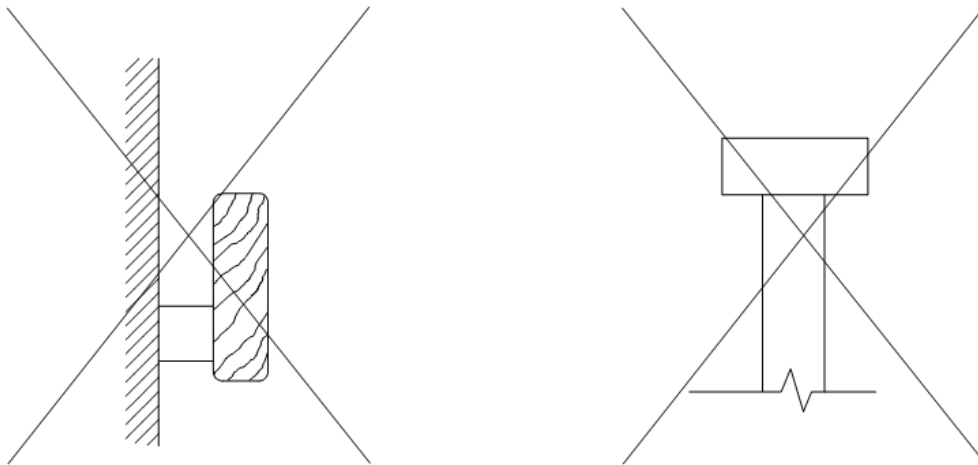
GENERAL INFORMATION:

- The intent of this Tip Sheet is to provide a general understanding of the code requirements and does not address the subject in great detail.



Type II Handrails
R311.7.8.3

(At handrails with a perimeter greater than 6-1/4")



Unacceptable Handrails

GENERAL INFORMATION:

- The intent of this Tip Sheet is to provide a general understanding of the code requirements and does not address the subject in great detail.