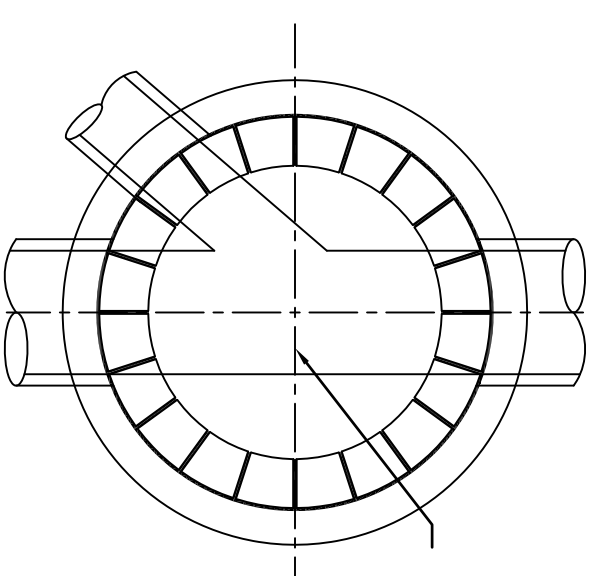
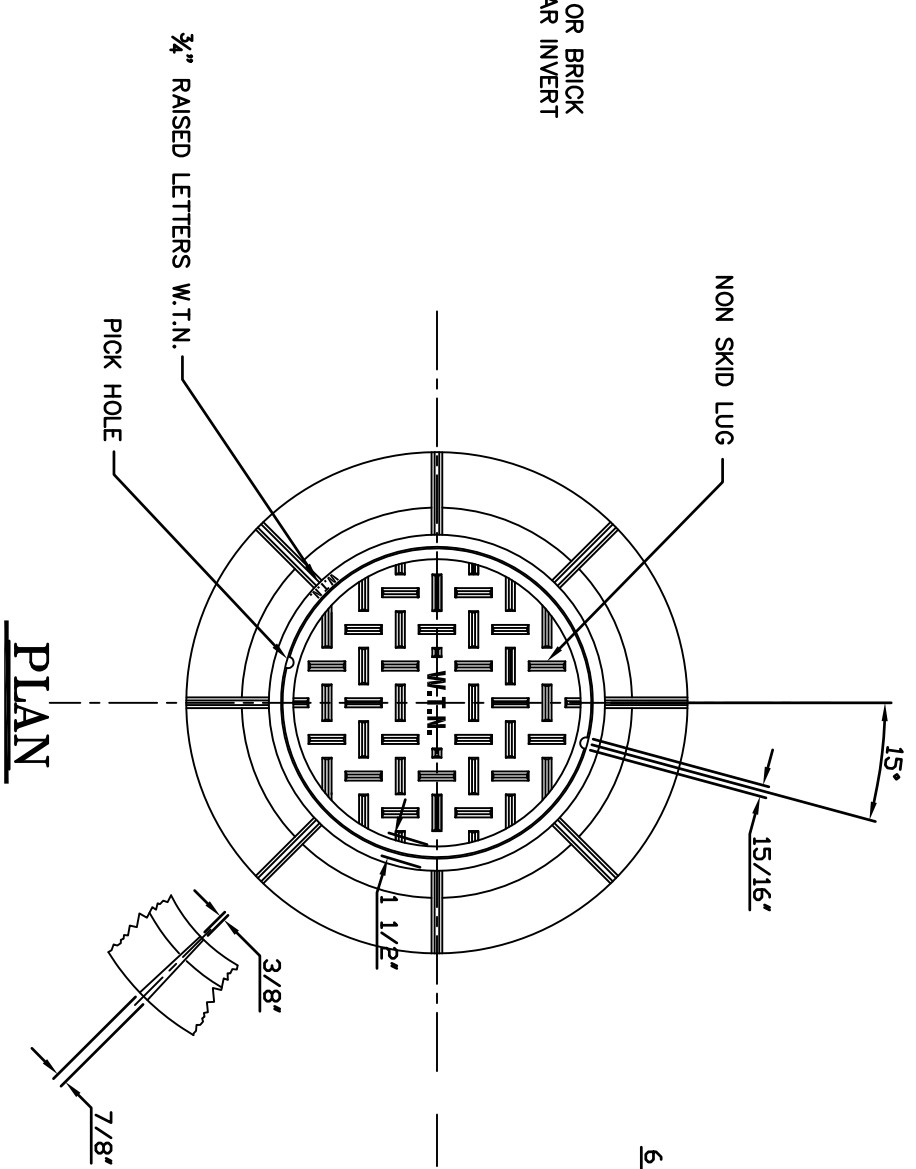


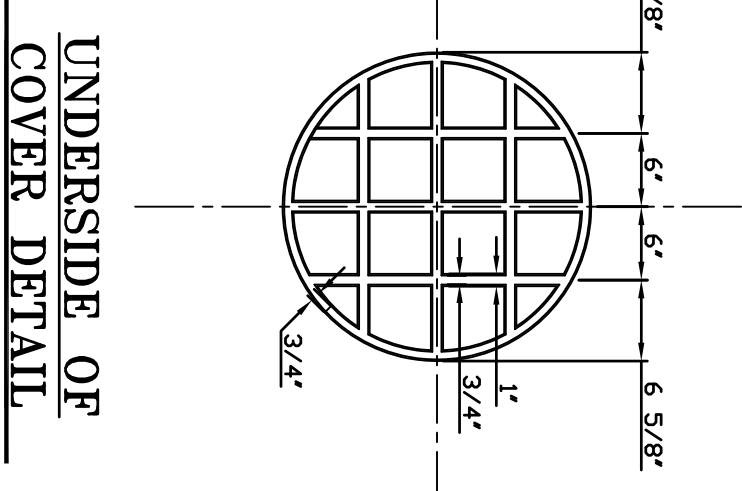
SECTION A-A



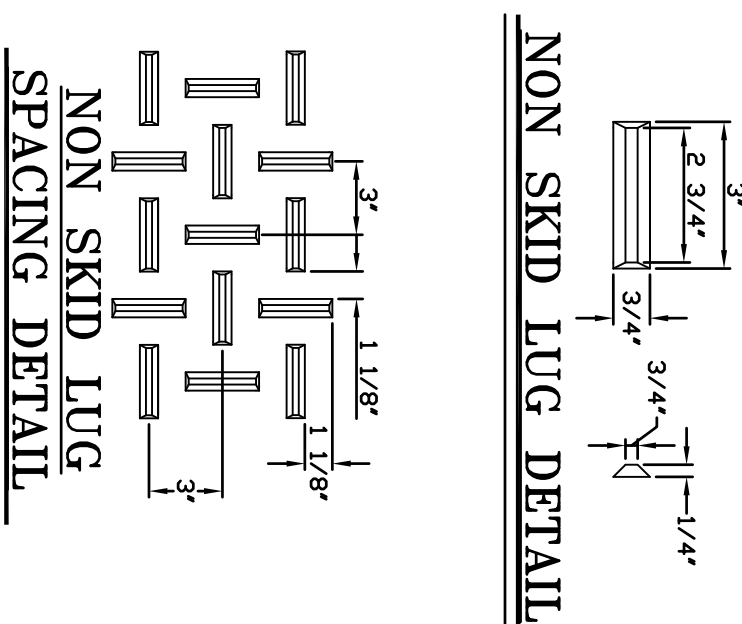
SECTION B-B



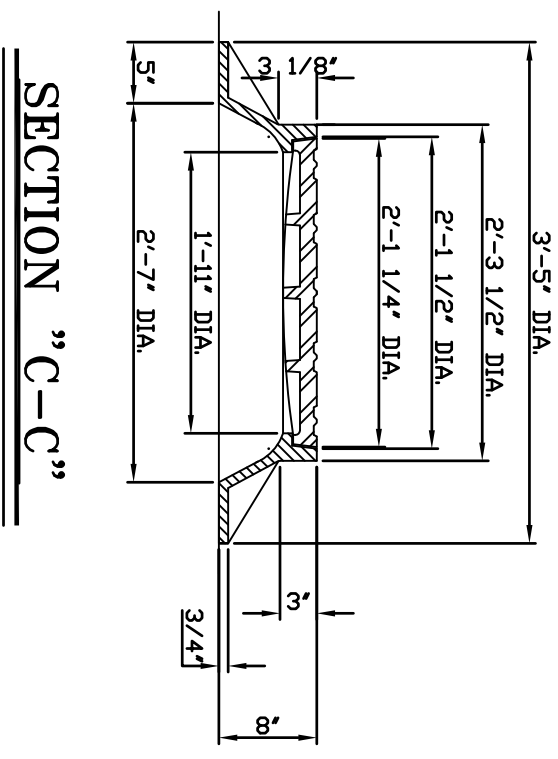
PLAN



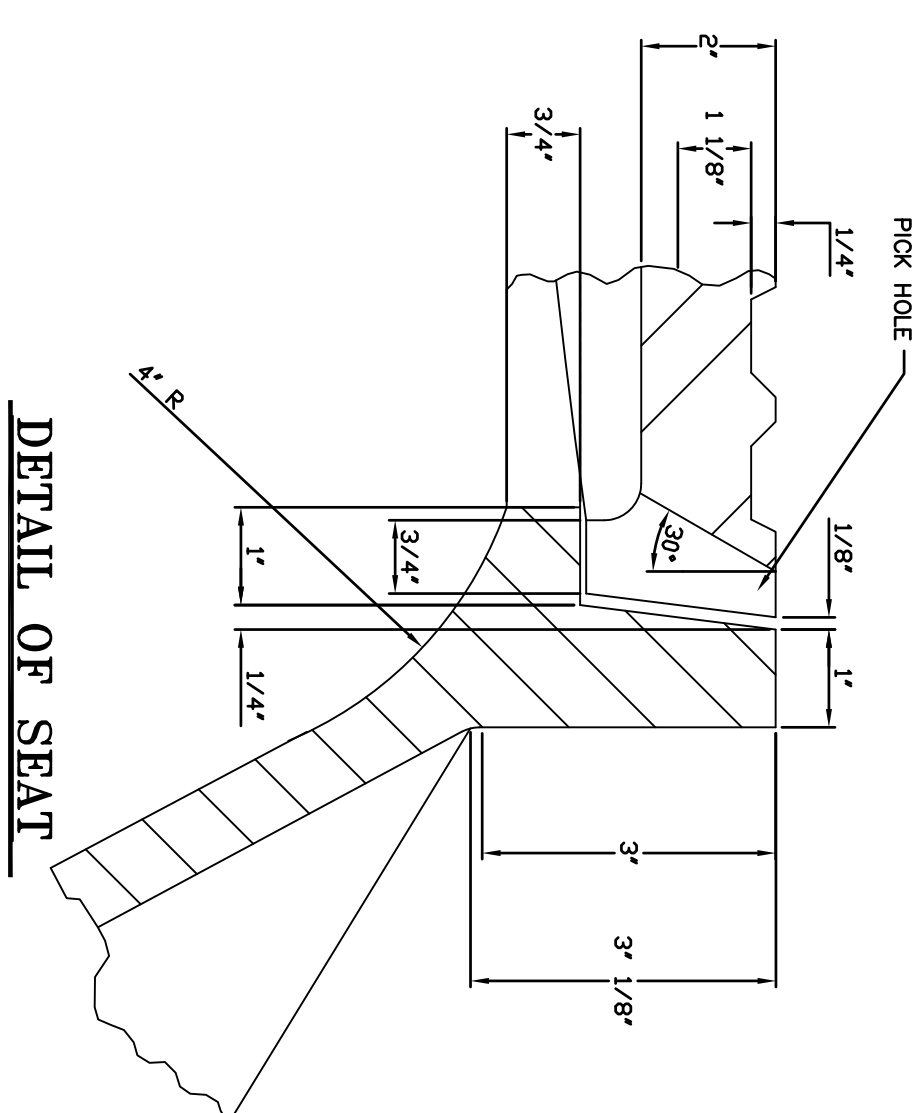
UNDERSIDE OF COVER DETAIL



NON SKID LUG DETAIL

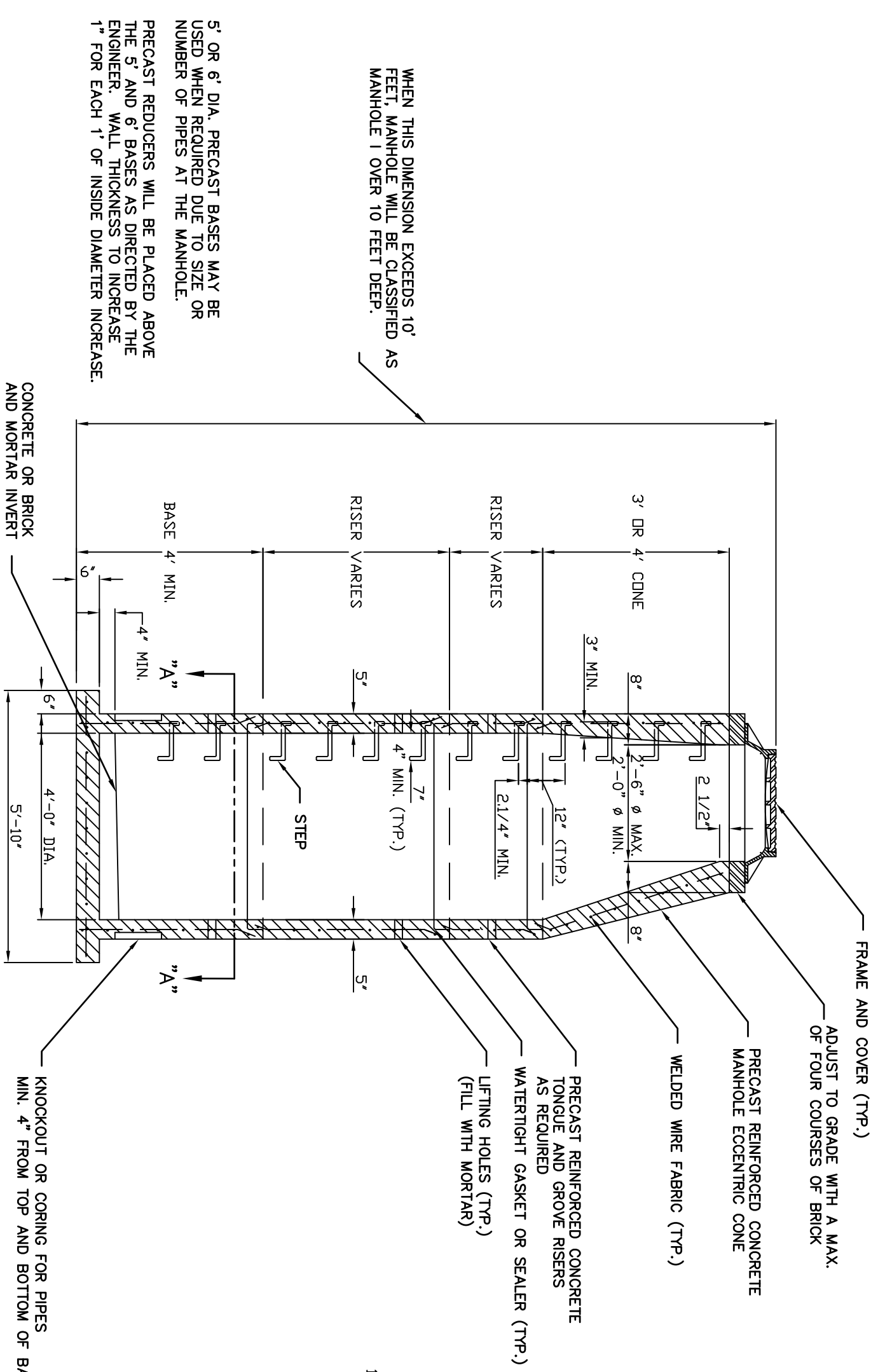


SECTION "C-C"



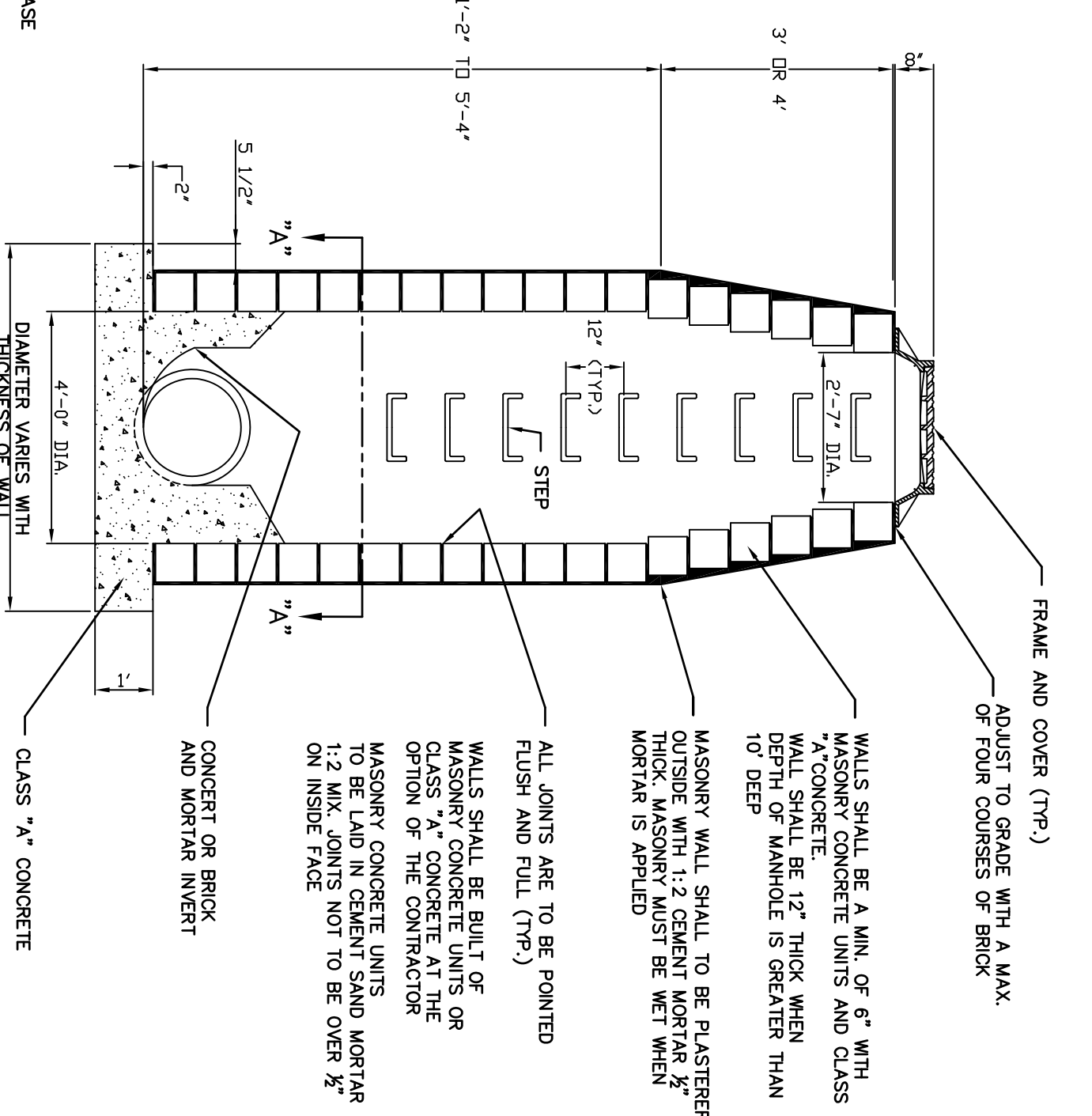
DETAIL OF SEAT

COVER DETAIL



**STANDARD TYPE
PRECAST MANHOLE**

NOT TO SCALE



**STANDARD TYPE
MASONRY CONCRETE UNITS
OR CLASS "A" CONCRETE**

NOT TO SCALE

WHEN THIS DIMENSION EXCEEDS 10 FEET, MANHOLE WILL BE CLASSIFIED AS MANHOLE 1 OVER 10 FEET DEEP.

5' OR 6' DIA. PRECAST BASINS MAY BE USED WHEN REQUIRED DUE TO SIZE OR NUMBER OF PIPES AT THE MANHOLE. PRECAST REDUCERS WILL BE PLACED ABOVE THE 5' AND 6' BASES AS DIRECTED BY THE ENGINEER. WALL THICKNESS TO INCREASE 1" FOR EACH 1' OF INSIDE DIAMETER INCREASE.

- NOTE:
1. WALLS OF ALL CATCH BASINS OVER 10' DEEP SHALL BE INCREASED TO 12" THICK
 2. DEEPER SWIMS MAY BE REQUIRED AT LOCATIONS SPECIFIED BY THE TOWN ENGINEER.
 3. WHEN CATCH BASIN IS SET IN CONCRETE PAVEMENT THE 3/4" SLOPE ON THE TOP SURFACE SHALL BE CHANGED TO ADJOINING PAVEMENT.
 4. 6'-0" ON UPGRADE SIDE OF CONTINUOUS GRADE. 1'-0" ON DOWNGRADE SIDE OF CONTINUOUS GRADE OR AS DIRECTED BY THE TOWN ENGINEER.

NO.		REVISIONS		DATE: 3-9-2009		SUBMITTED BY:		DATE:	
BY	DATE	DES. BY:	J.M.M.	CHK. BY:	R.S.	SCALE:	N.A.	APPROVED BY:	DATE:
		DRN. BY:	J.M.M.						
		APPD. BY:	R.C.						
PROJECT TITLE:		TOWN OF WATERTOWN		PROJECT TITLE:		TOWN OF WATERTOWN		DRAWING TITLE:	
DEPARTMENT OF PUBLIC WORKS		DIVISION OF ENGINEERING		STANDARD DETAIL DRAWINGS		MANHOLE, FRAME & COVER		PROJECT NO. <>	
FILE NO. <>		DRAWING NO. 1587N-54		SHEET NO. 1587N-54					