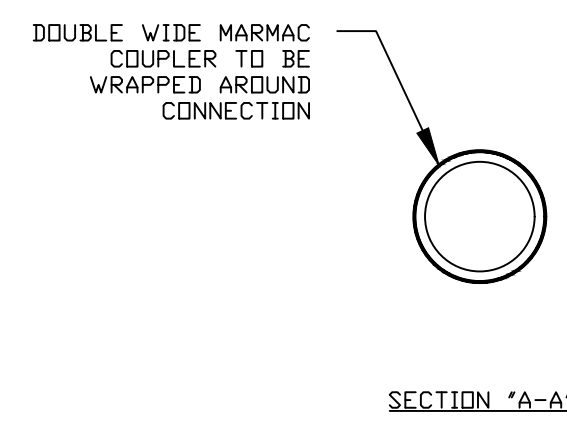
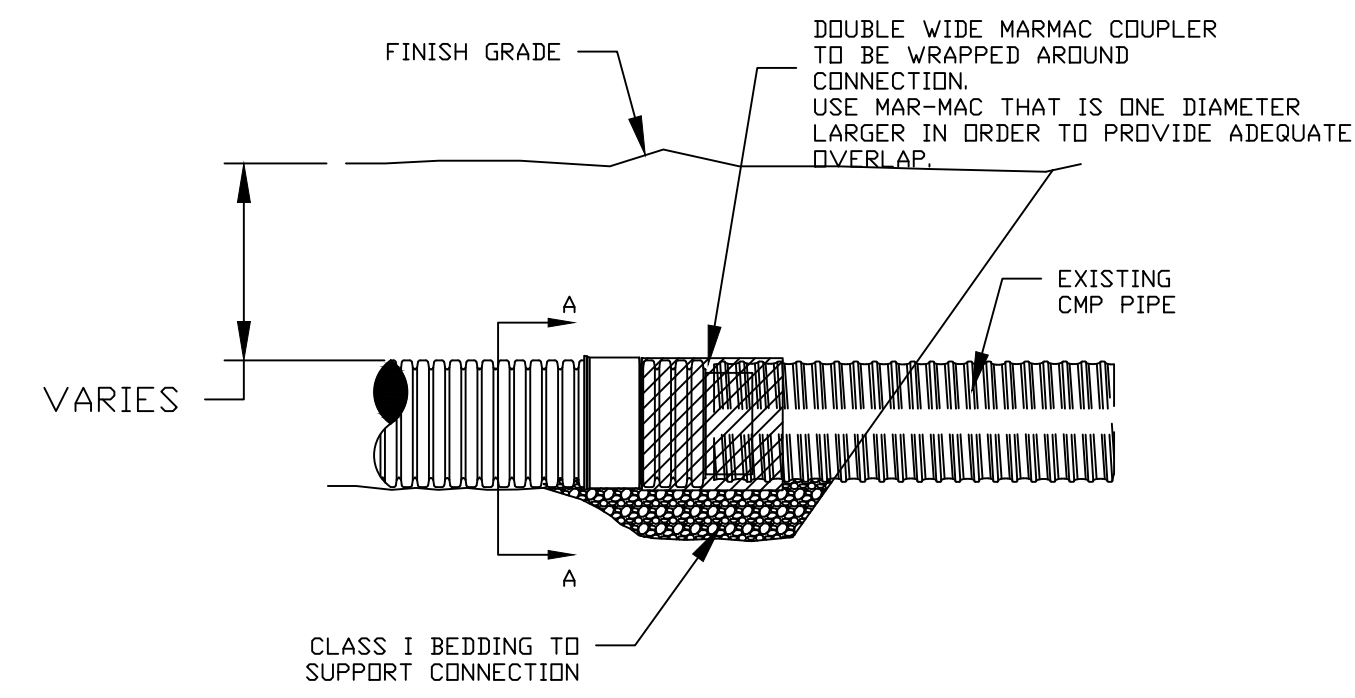
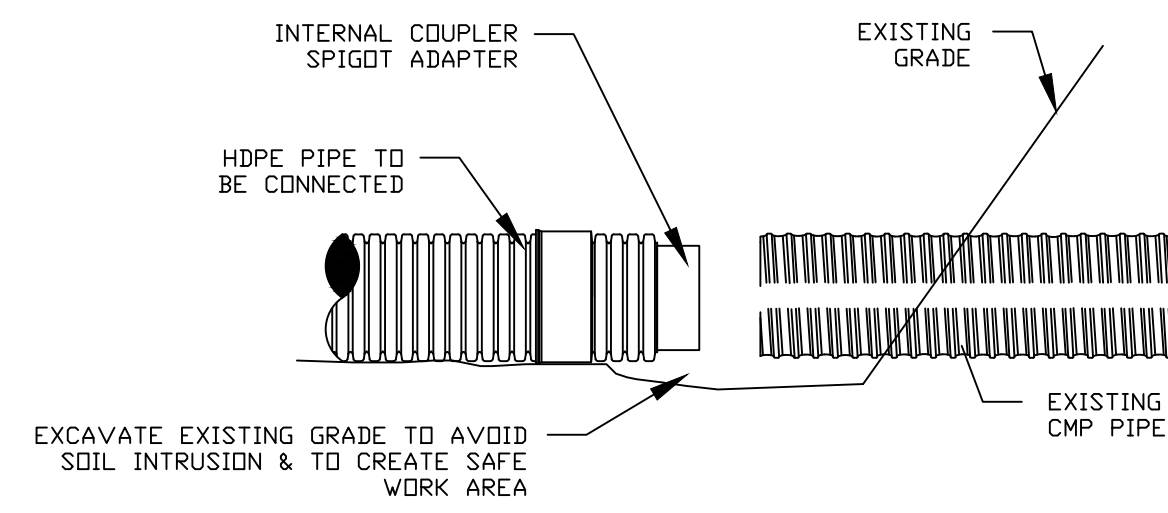


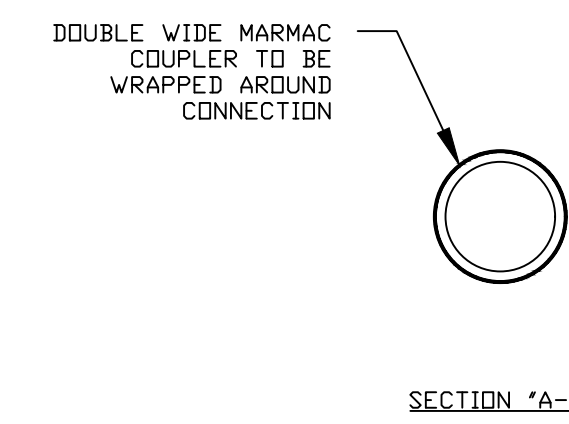
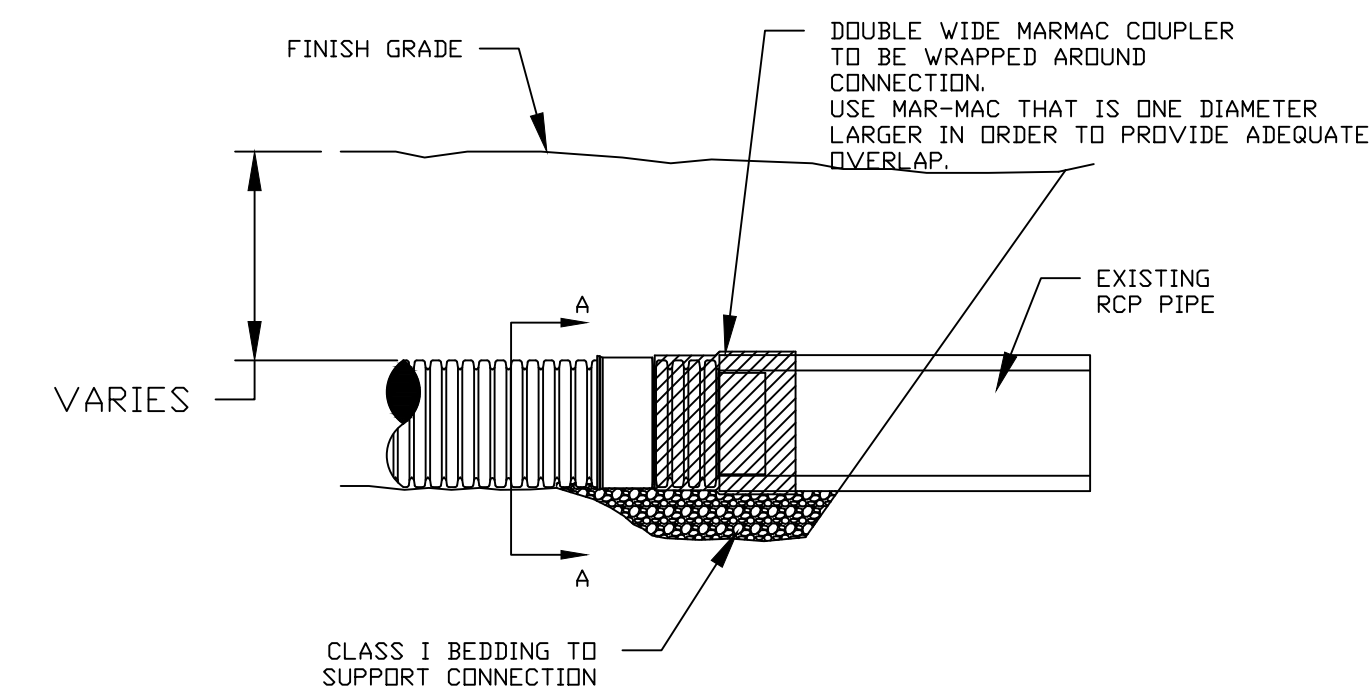
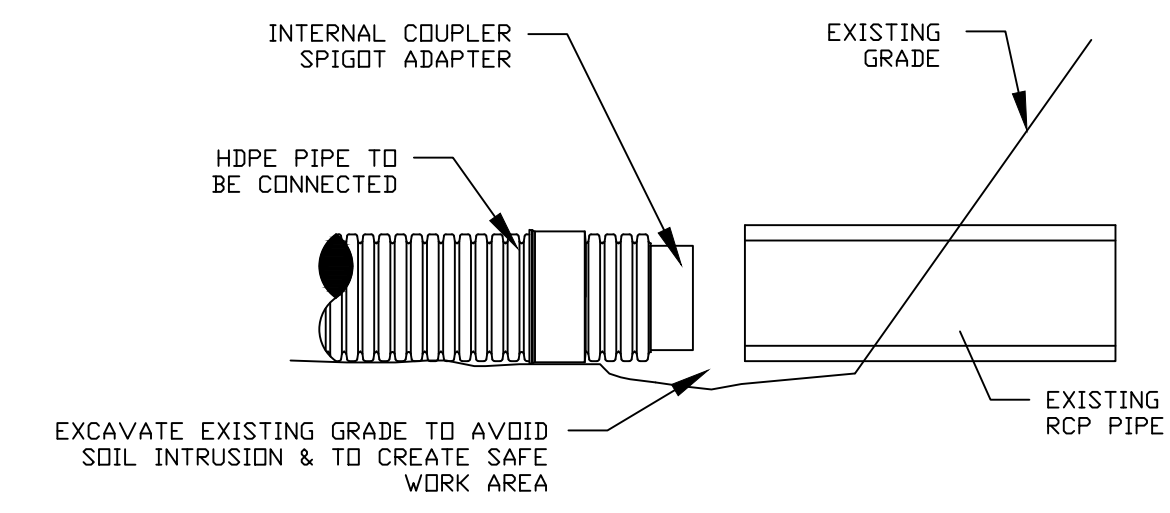
NOTES:

1. CONNECTION AND PIPE TO BE BACKFILLED PER ASTM D2321, LATEST EDITION.
2. IN LIEU OF AN INTERNAL CYLINDER, AN HDPE WATERTIGHT REPAIR COUPLER CAN BE USED.
3. INTERNAL CYLINDER ADAPTER IS NOT RECOMMENDED FOR DOWNSTREAM CONNECTIONS.



NOTES:

1. CONNECTION AND PIPE TO BE BACKFILLED PER ASTM D2321, LATEST EDITION.
2. IN LIEU OF AN INTERNAL CYLINDER, AN HDPE WATERTIGHT REPAIR COUPLER CAN BE USED.
3. INTERNAL CYLINDER ADAPTER IS NOT RECOMMENDED FOR DOWNSTREAM CONNECTIONS.

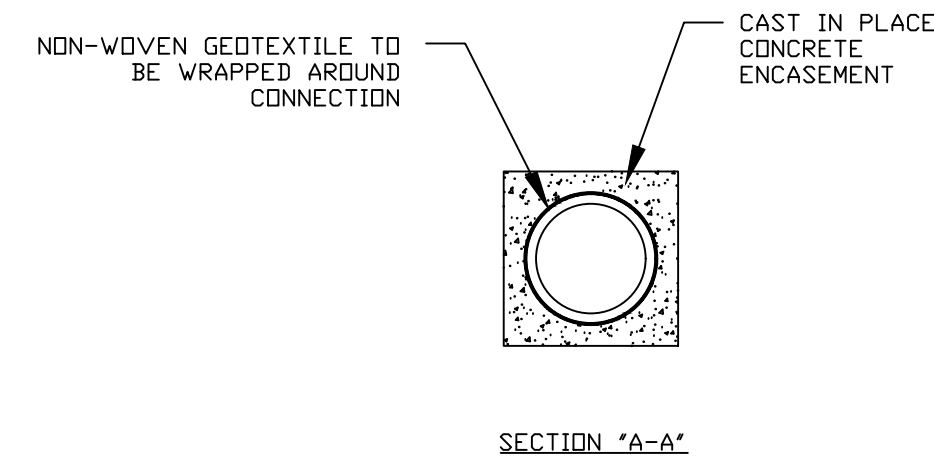
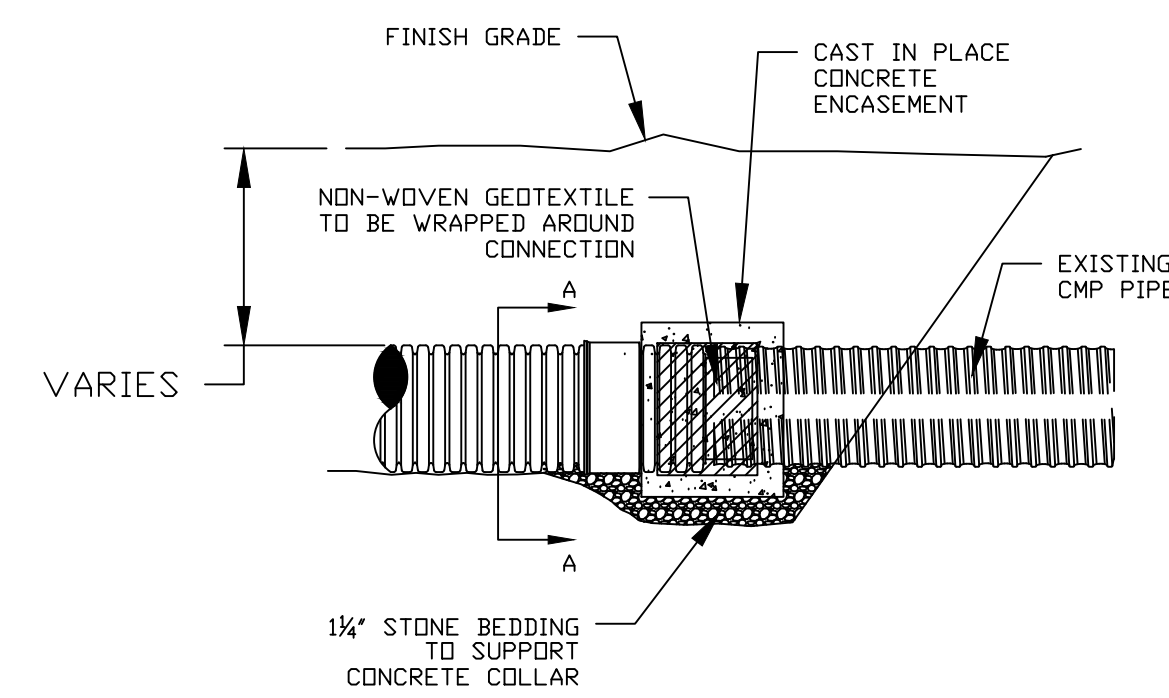
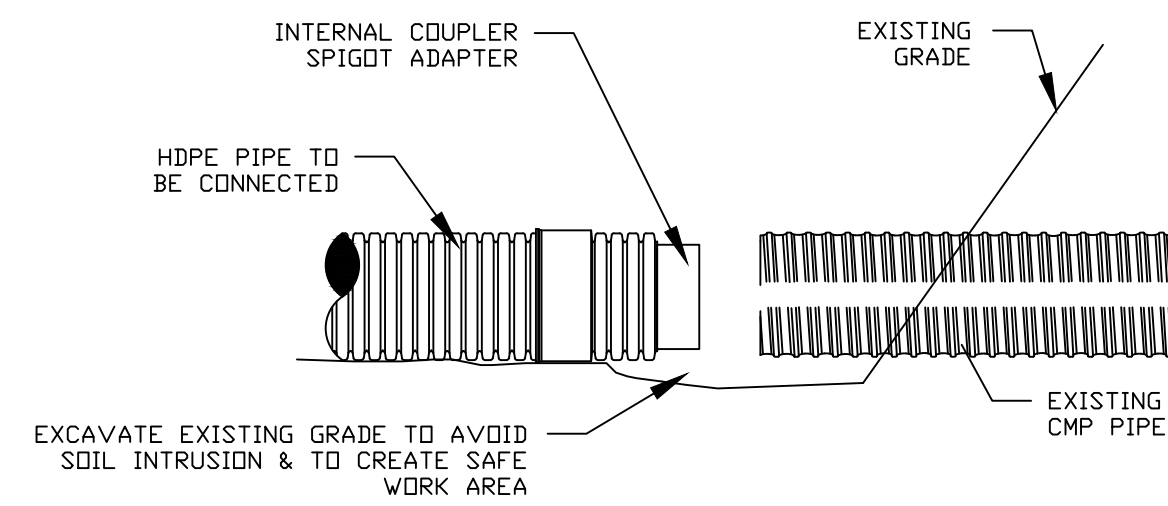


NOTE:

1. CL I BEDDING IS 1 1/2" STONE.
2. CL II IS 3/4" SAND/GRAVEL < 10% PASSING Z20 SIEVE.
3. CL III IS 3/4" SAND/GRAVEL > 10% PASSING Z20 SIEVE.

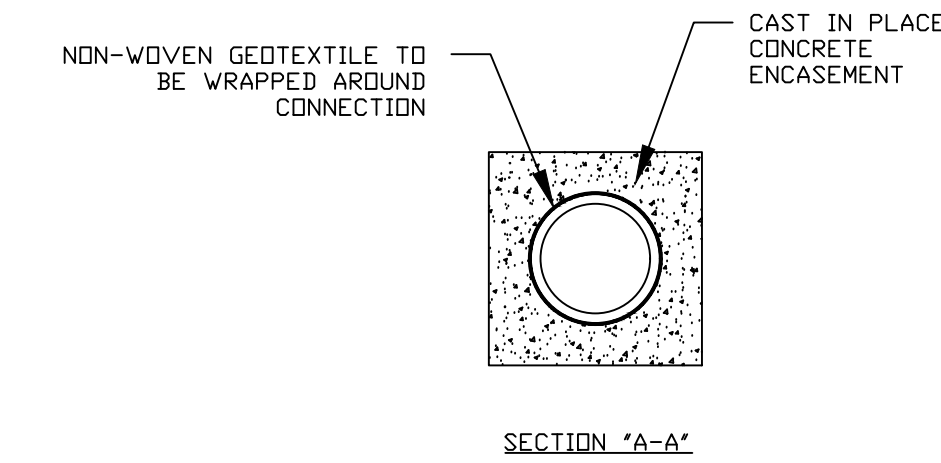
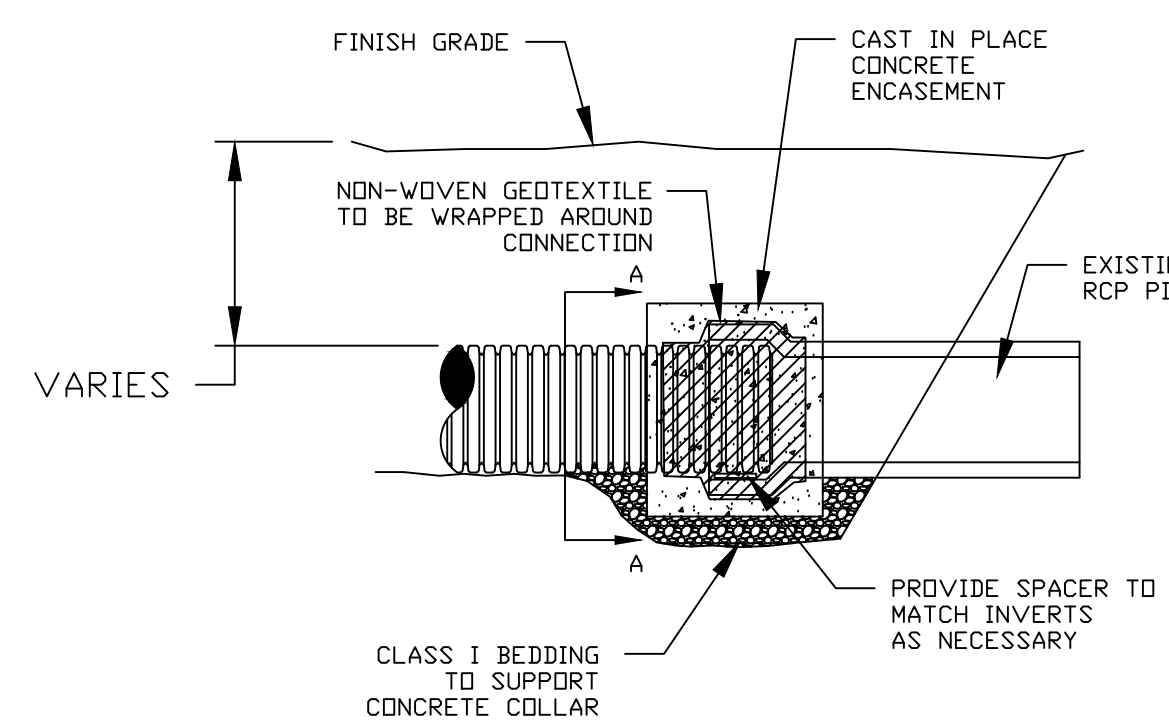
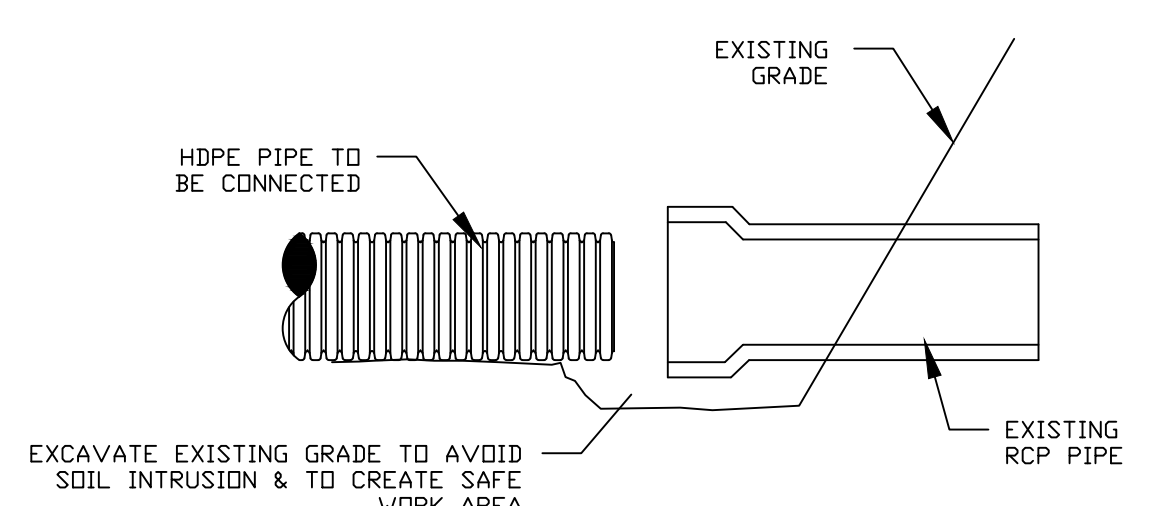
NOTES:

1. CONNECTION AND PIPE TO BE BACKFILLED PER ASTM D2321, LATEST EDITION.
2. IN LIEU OF AN INTERNAL CYLINDER, AN HDPE WATERTIGHT REPAIR COUPLER CAN BE USED.
3. INTERNAL CYLINDER ADAPTER IS NOT RECOMMENDED FOR DOWNSTREAM CONNECTIONS.



NOTES:

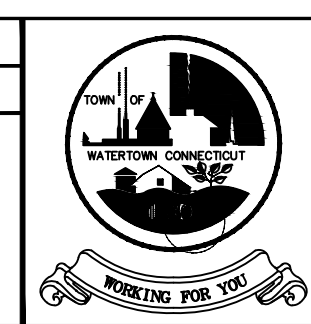
1. CONNECTION AND PIPE TO BE BACKFILLED PER ASTM D2321, LATEST EDITION.
2. IN LIEU OF AN INTERNAL CYLINDER, AN HDPE WATERTIGHT REPAIR COUPLER CAN BE USED.
3. INTERNAL CYLINDER ADAPTER IS NOT RECOMMENDED FOR DOWNSTREAM CONNECTIONS.



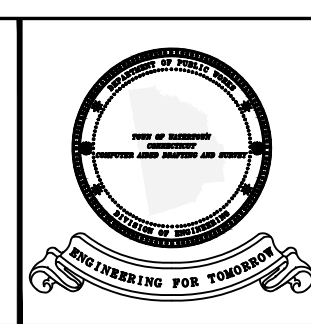
NO.	REVISIONS	BY	DATE

DES BY:	DATE:
DRN BY:	SCALE:
CHK BY:	
APPD BY:	

SUBMITTED BY:	DATE:
APPROVED BY:	DATE:
ENGINEER:	



TOWN OF WATERTOWN
DEPARTMENT OF PUBLIC WORKS
DIVISION OF ENGINEERING



PROJECT TITLE:
TOWN OF WATERTOWN
STANDARD DETAIL DRAWINGS

DRAWING TITLE:
STANDARD ADS DISSIMILAR
PIPE CONNECTIONS DETAILS

PROJECT NO.
FILE NO.
DRAWING NO. 153WTN-9B
SHEET NO. 153WTN-9B