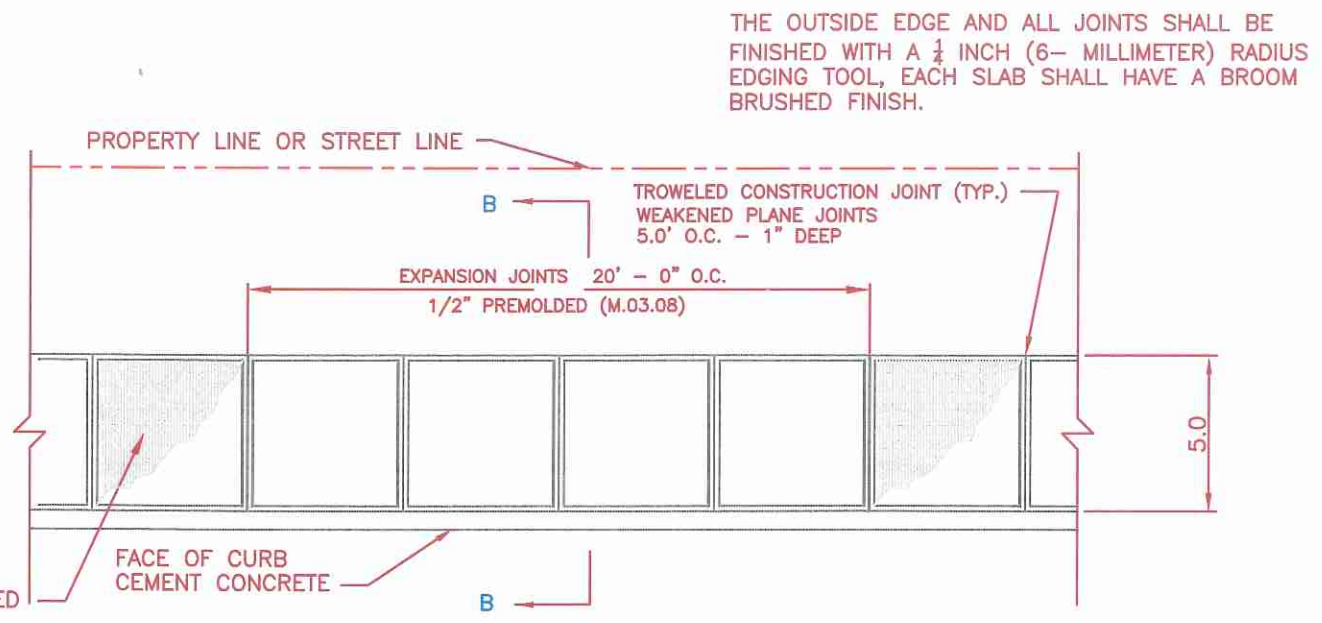
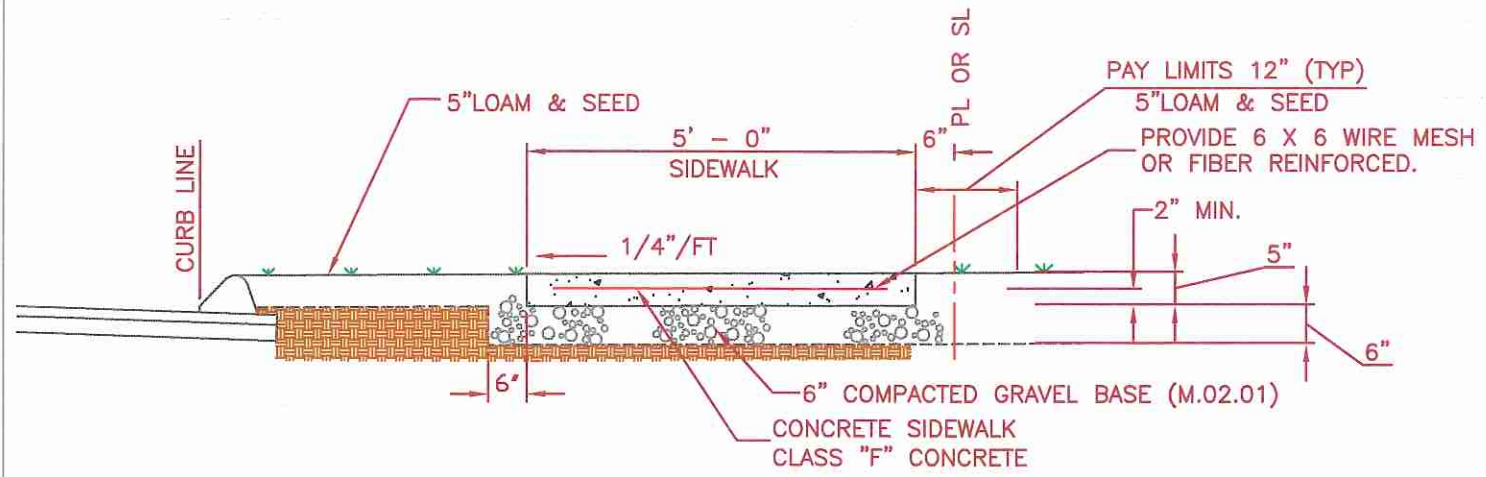


PLAN VIEW WITH GRASS STRIP

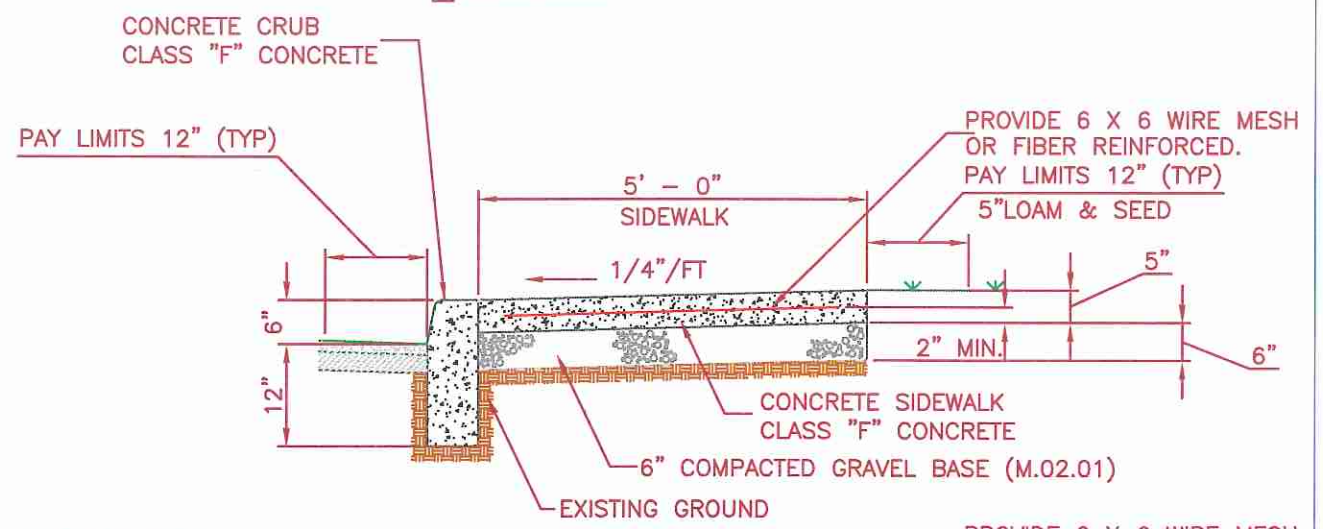


THE OUTSIDE EDGE AND ALL JOINTS SHALL BE FINISHED WITH A 1/4 INCH (6- MILLIMETER) RADIUS EDGING TOOL, EACH SLAB SHALL HAVE A BROOM BRUSHED FINISH.

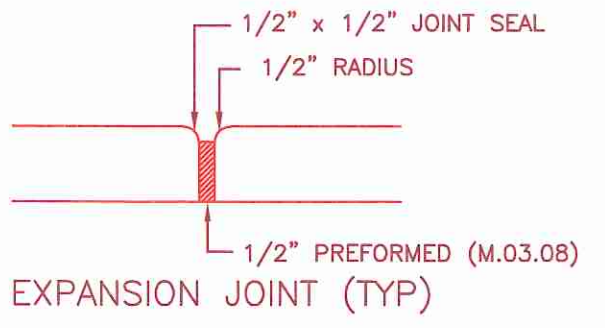
PLAN VIEW



SECTION A-A



SECTION B-B



EXPANSION JOINT (TYP)