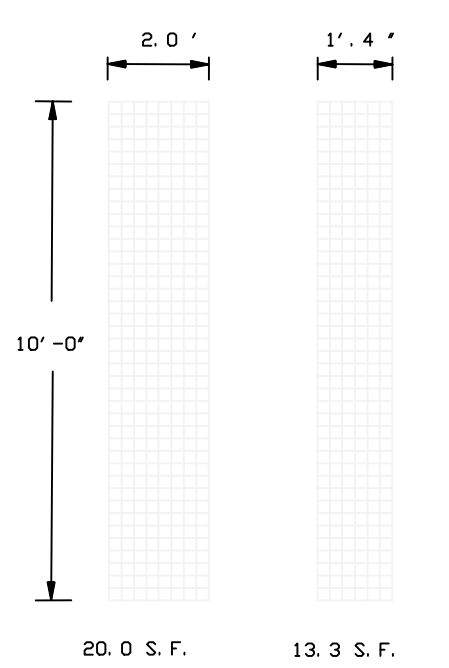
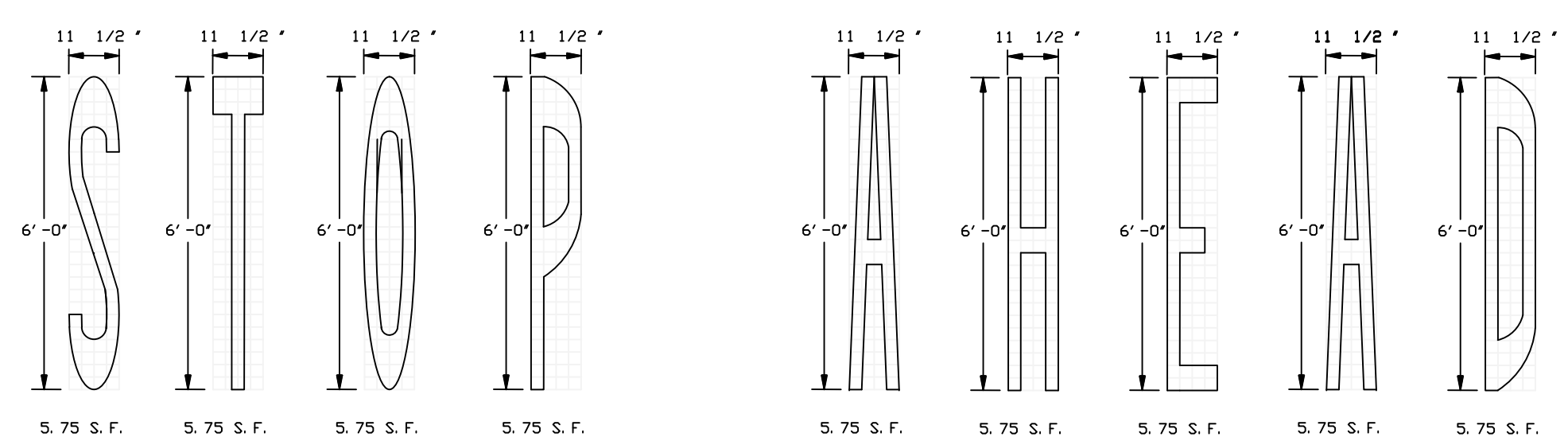
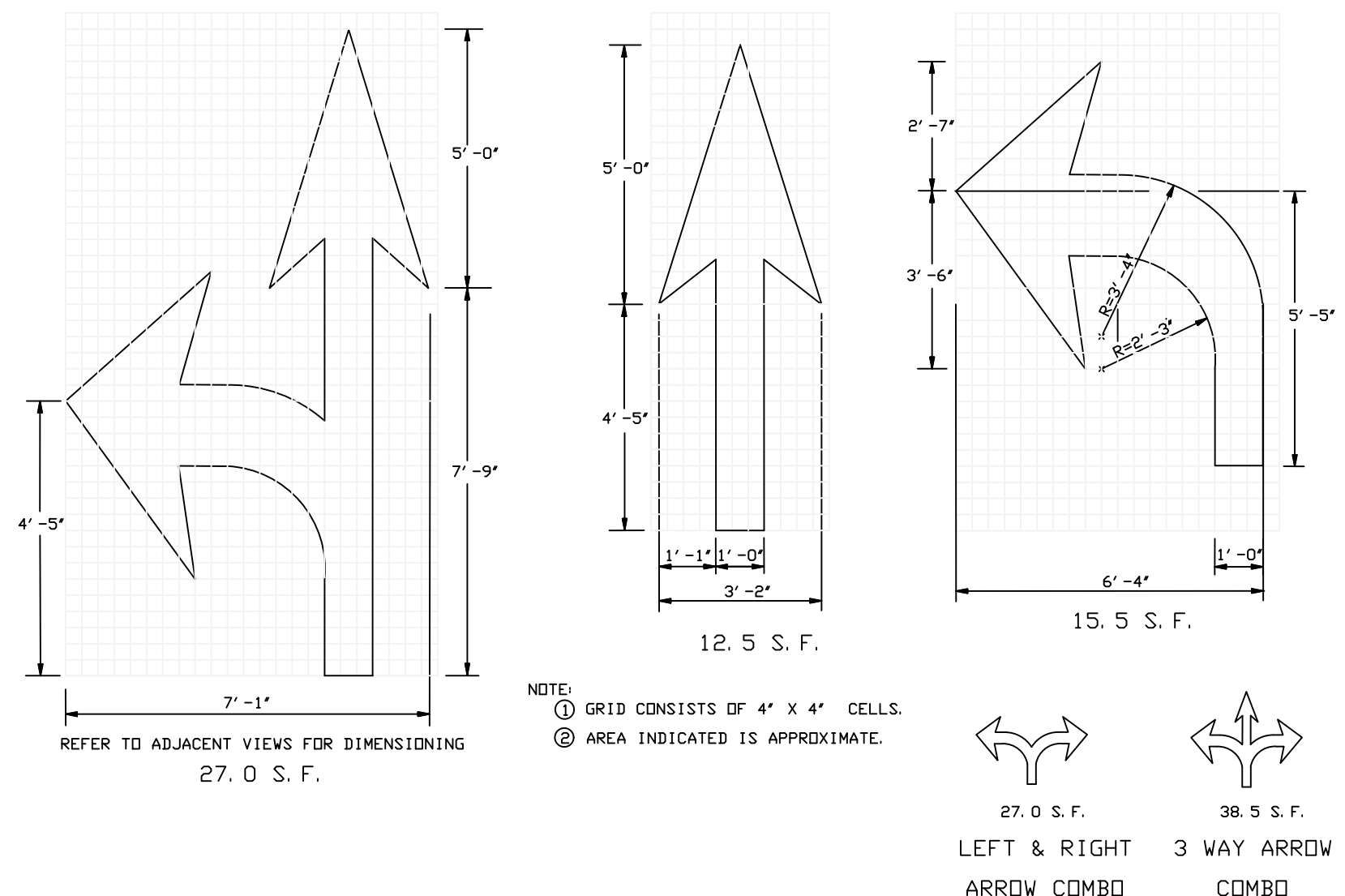


PAVEMENT MARKINGS FOR STOP BAR LOCATIONS MINOR ROAD

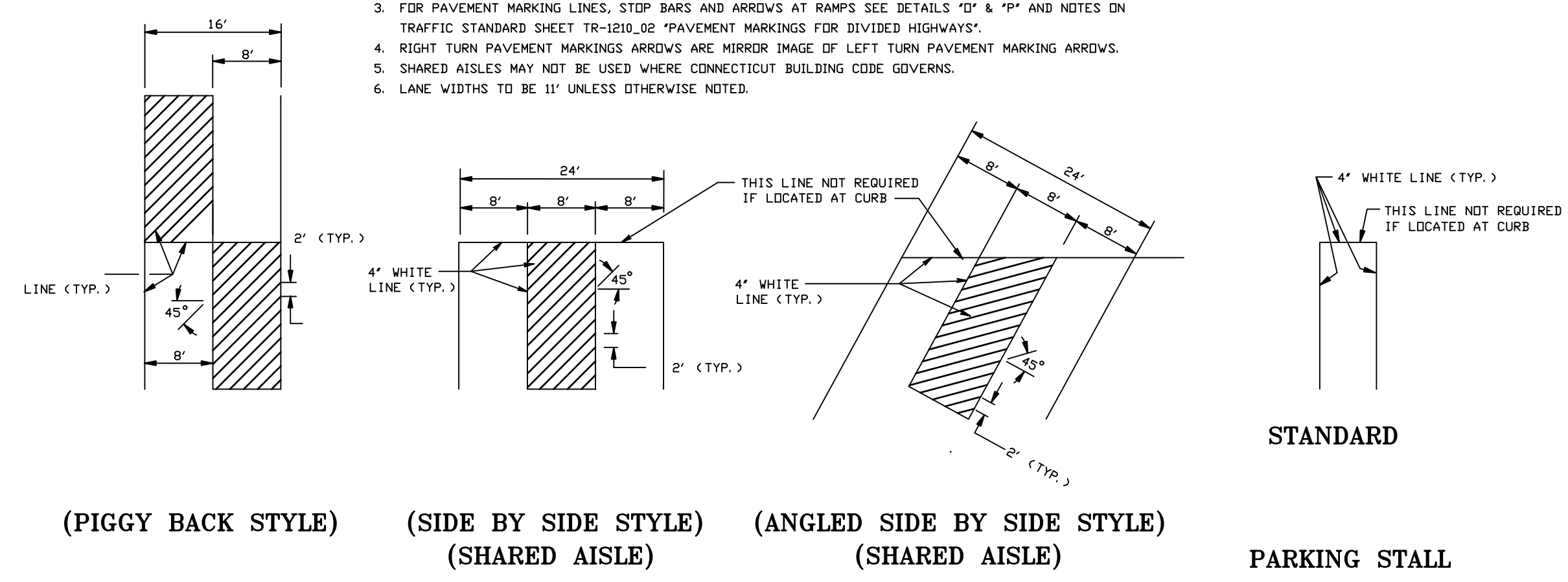


CROSSWALK BAR

- NOTES:**
PAVEMENT MARKING
 1. FOR PAVEMENT MARKINGS ON A CLIMBING LANE SEE DETAIL "L" ON TRAFFIC STANDARD SHEET TR-1210.02 "PAVEMENT MARKINGS FOR DIVIDED HIGHWAYS".
 2. AREA OF PAVEMENT MARKINGS AS INDICATED IS APPROXIMATE.
 3. FOR PAVEMENT MARKING LINES, STOP BARS AND ARROWS AT RAMP SEE DETAILS "D" & "P" AND NOTES ON TRAFFIC STANDARD SHEET TR-1210.02 "PAVEMENT MARKINGS FOR DIVIDED HIGHWAYS".
 4. RIGHT TURN PAVEMENT MARKINGS ARROWS ARE MIRROR IMAGE OF LEFT TURN PAVEMENT MARKING ARROWS.
 5. SHARED AISLES MAY NOT BE USED WHERE CONNECTICUT BUILDING CODE GOVERNS.
 6. LANE WIDTHS TO BE 11' UNLESS OTHERWISE NOTED.



PAVEMENT ARROW DETAILS
 (WHITE)
 ARROWS TO BE CENTERED IN TRAVEL LANE



PARKING STALLS FOR HANDICAPPED

| | | | | | | | | | | | | | | | |
|-----|--------------------------------|-----|-------|----------------|-------------|---------------|-------|--|--|--|----------------------|--|----------------|--|-------------|
| NO. | REVISIONS | BY | DATE | DES BY: J.M.M. | DATE: | SUBMITTED BY: | DATE: | | TOWN OF WATERTOWN DEPARTMENT OF PUBLIC WORKS DIVISION OF ENGINEERING | | PROJECT TITLE: | TOWN OF WATERTOWN STANDARD DRAWINGS | DRAWING TITLE: | PAVEMENT MARKINGS MINOR ROADWAYS TYPICAL DETAILS | PROJECT NO. |
| 1 | UPDATED TO NEW STATE STANDARDS | JMM | 12/20 | DRN BY: J.M.M. | 2-16-2009 | APPROVED BY: | DATE: | | | | FILE NO. | | | | |
| | | | | CHK BY: R.S. | SCALE: N.A. | ENGINEER: | | | | | DRAWING NO. 168VTN-2 | | | | |
| | | | | APPD BY: R.C. | | | | | | | SHEET NO. 168VTN-2 | | | | |