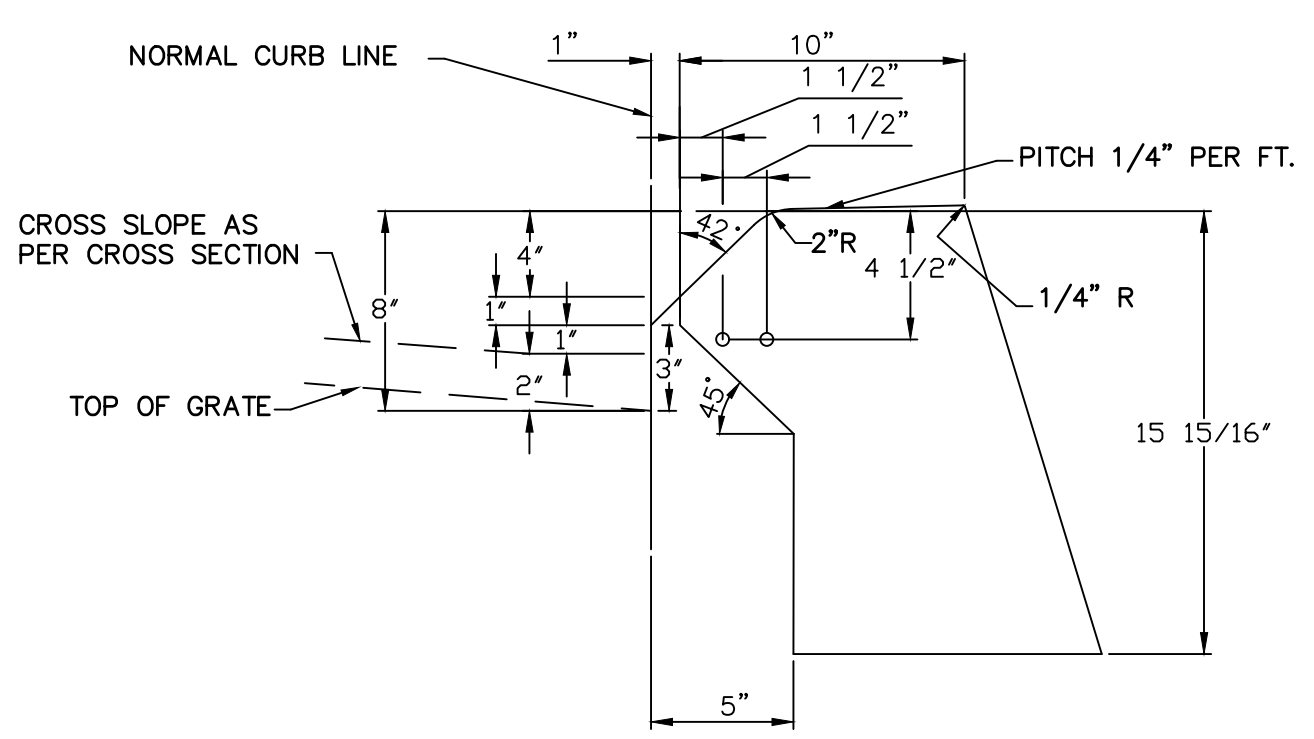


TO BE USED WHEN CURB INLET IS CONSTRUCTED IN A LINE OF PLAIN CONCRETE CURBING, DOWELED CONCRETE CURBING, OR STONE CURBING, 6" HIGH

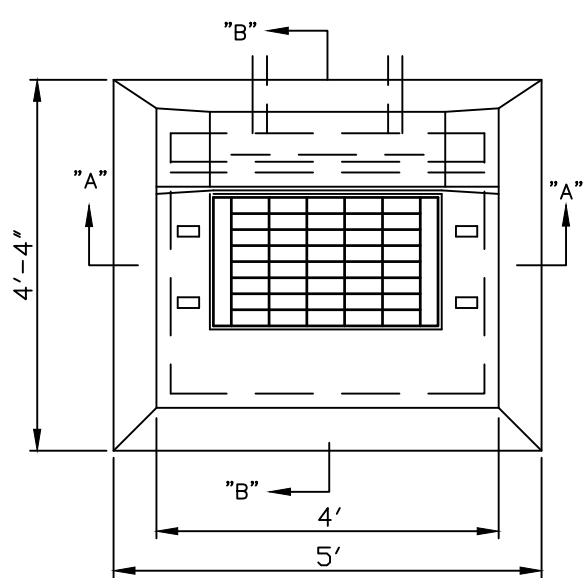
DETAIL OF CURB INLET
PLAIN CURB TYPE



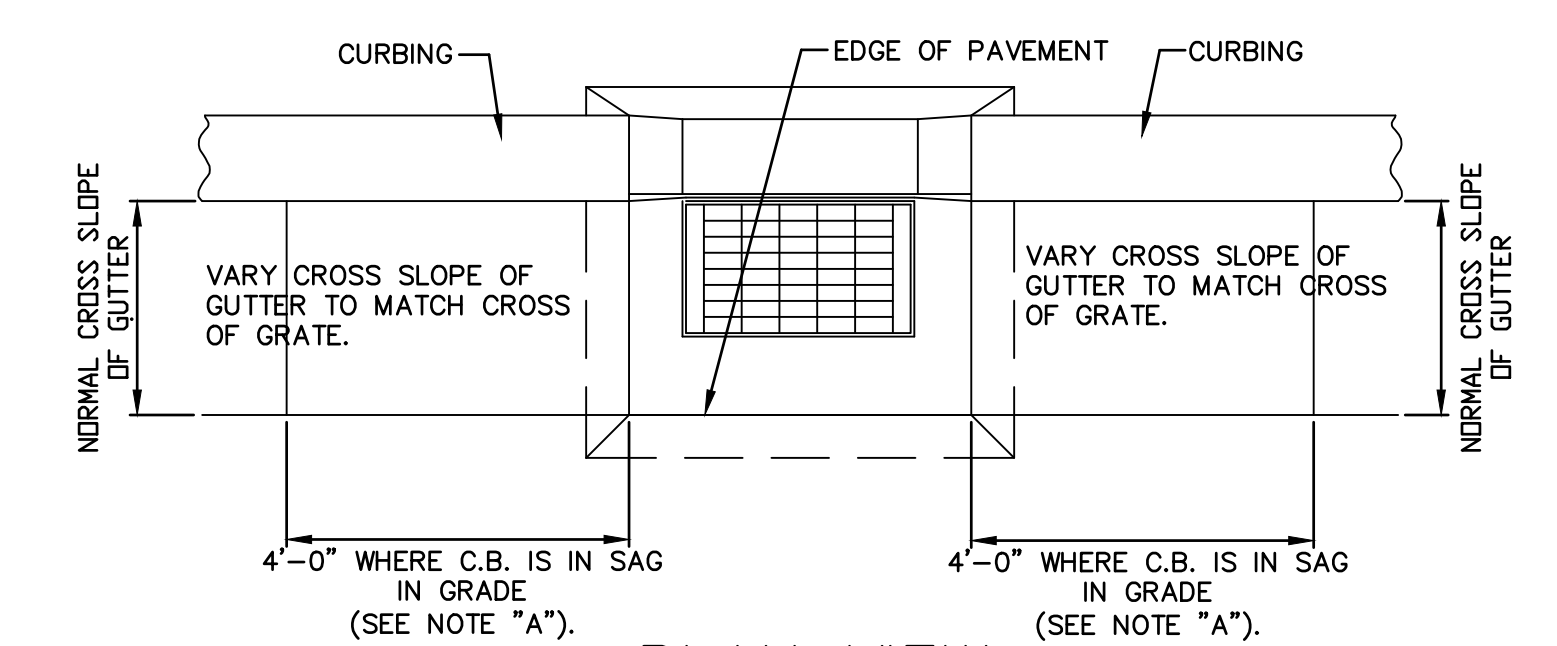
TO BE USED WHEN CURB INLET IS CONSTRUCTED IN A LINE OF BITUMINOUS CONCRETE LIP CURB, 6" HIGH

DETAIL OF CURB INLET
PARK CURB TYPE

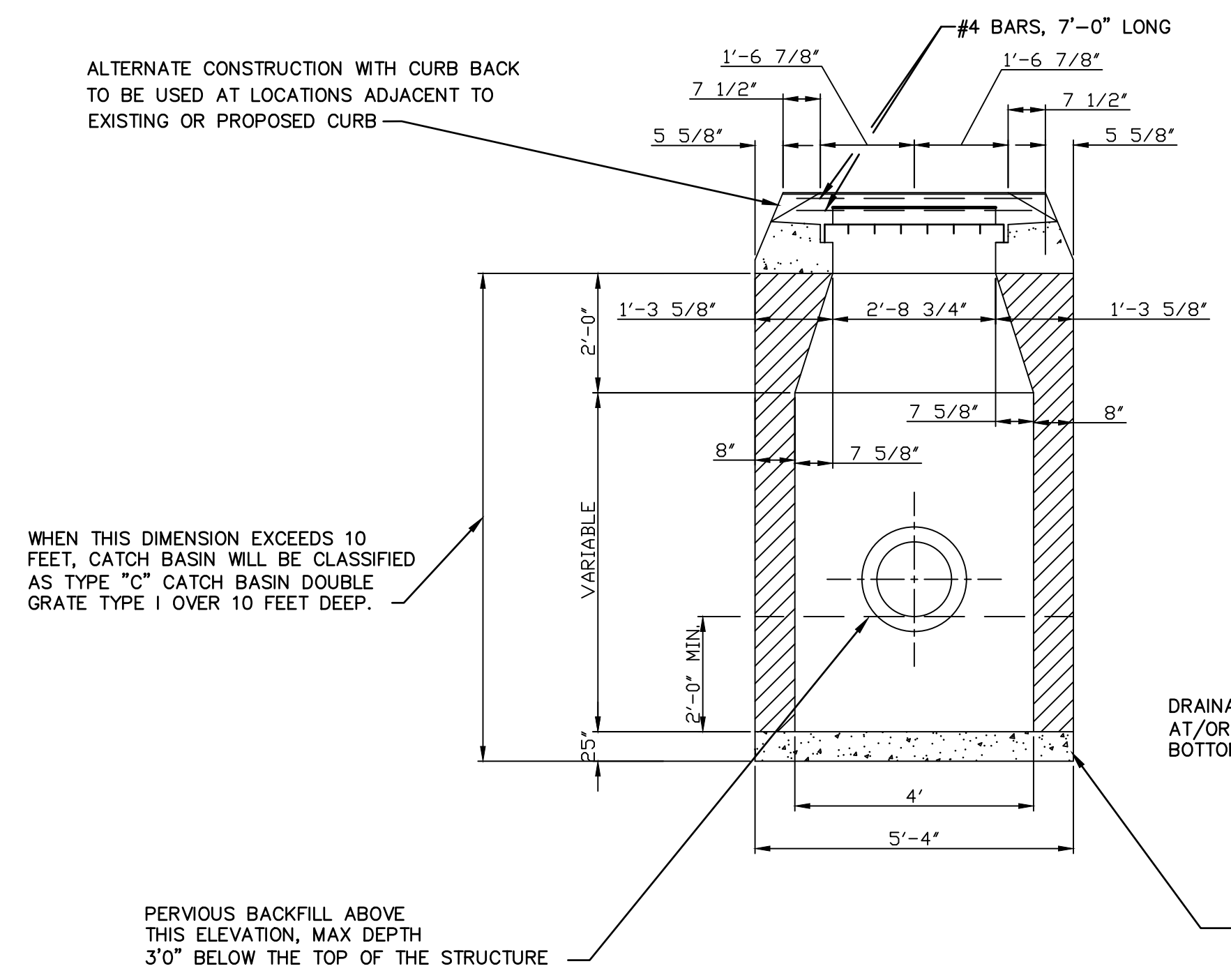
- NOTE:
1. WALLS OF ALL CATCH BASINS OVER 10' DEEP SHALL BE INCREASED TO 12" THICK
 2. DEEPER SUMPS MAY BE REQUIRED AT LOCATIONS SPECIFIED BY THE TOWN ENGINEER.
 3. WHEN CATCH BASIN IS SET IN CONCRETE PAVEMENT THE 1/2" SLOPE ON THE TOP SURFACE SHALL BE CHANGED TO ADJOINING PAVEMENT.
- A. 6'-0" ON UPGRADE SIDE OF CONTINUOUS GRADE. 1'-0" ON DOWNGRADE SIDE OF CONTINUOUS GRADE OR AS DIRECTED BY THE TOWN ENGINEER



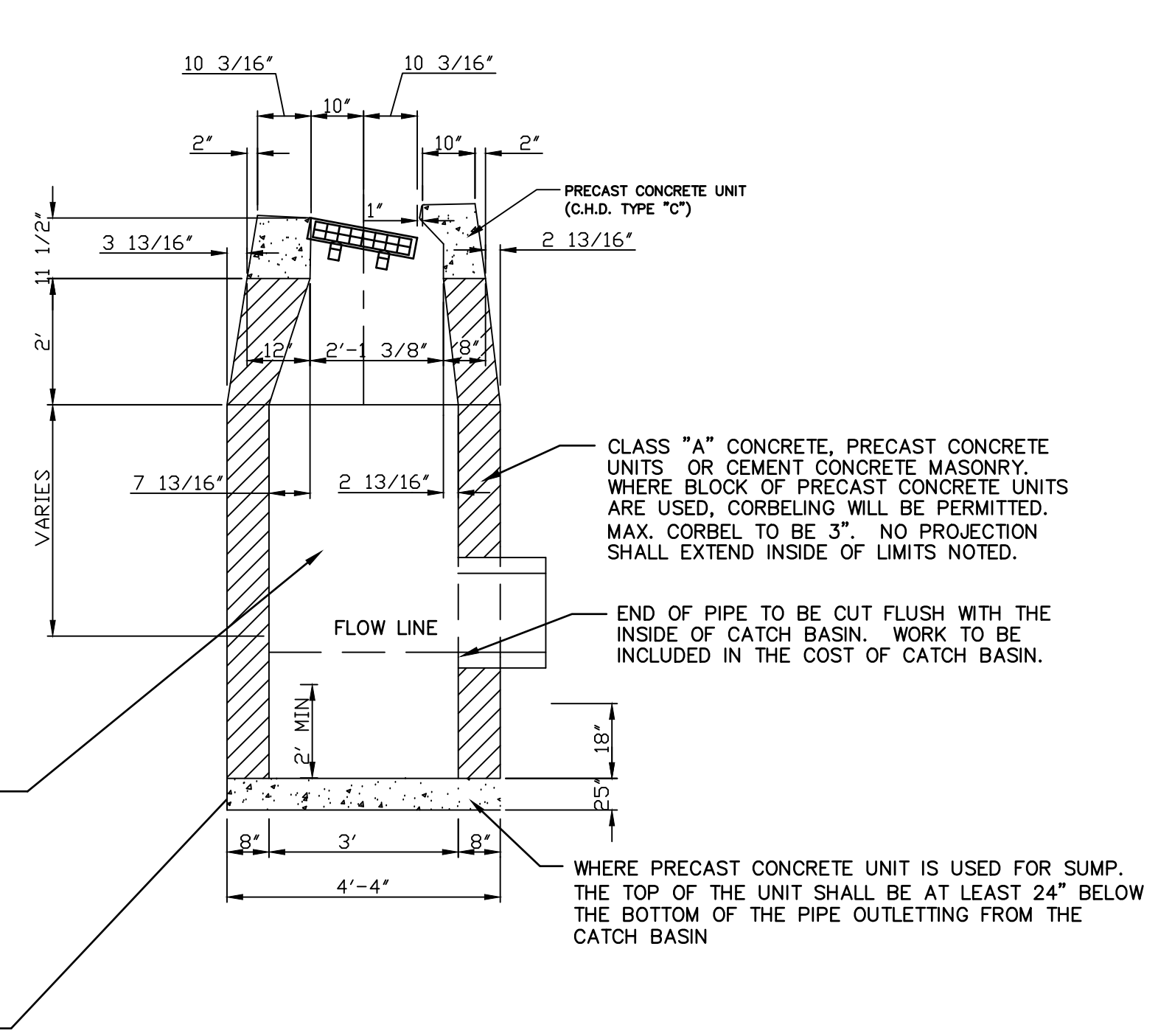
PLAN VIEW



PLAN VIEW

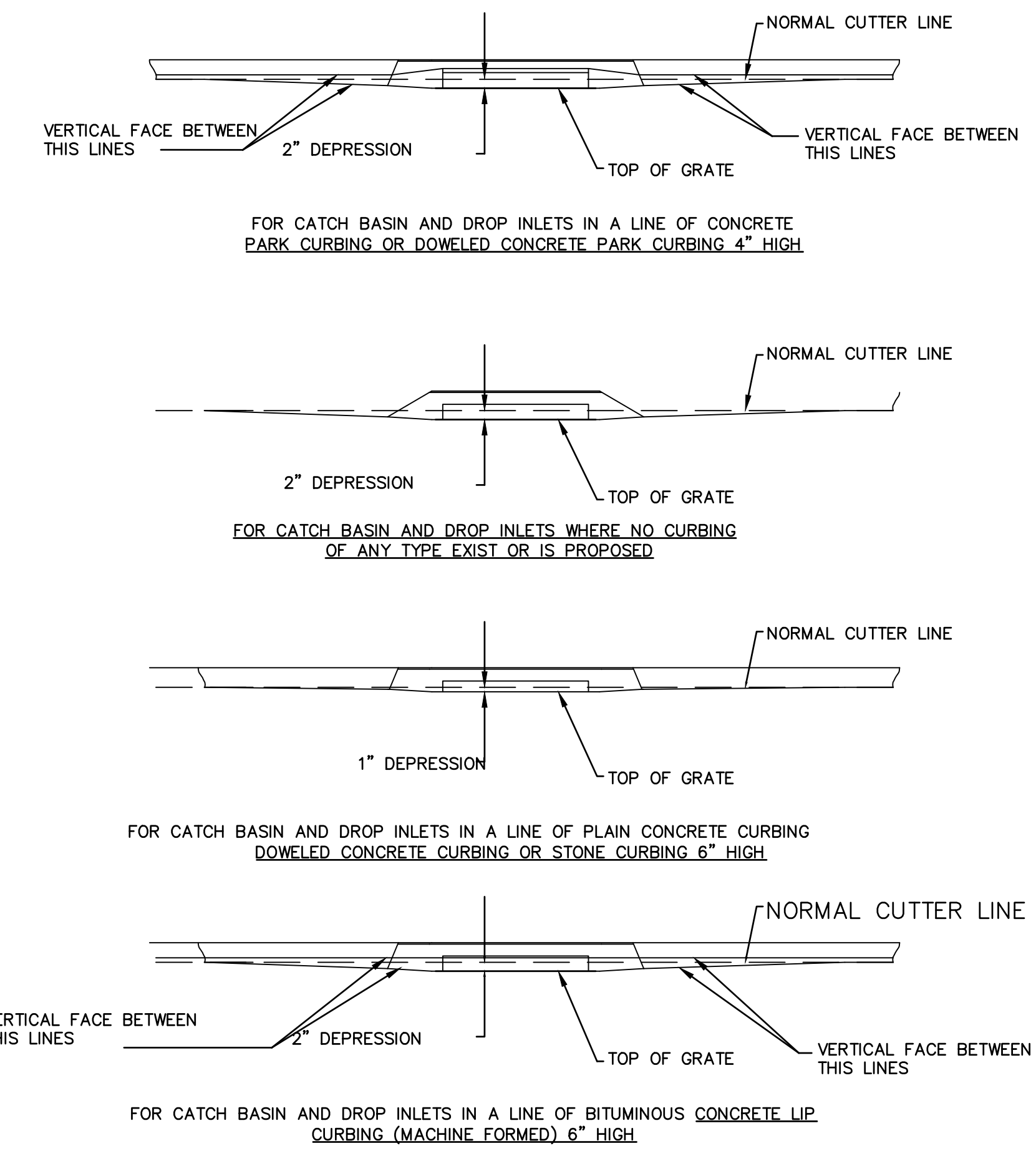


SECTION A-A



SECTION B-B

STANDARD TYPE
"C" 2' SUMP



NO.	REVISIONS	BY	DATE	DES BY: J.M.M.	DATE: 3-2-2009		TOWN OF WATERTOWN DEPARTMENT OF PUBLIC WORKS DIVISION OF ENGINEERING		PROJECT TITLE: TOWN OF WATERTOWN STANDARD DRAWINGS	DRAWING TITLE: TYPE "C" CATCH BASIN	PROJECT NO. <>
				DRN BY: J.M.M.	FILE NO. <>						
				CHK BY: R.S.	DRAWING NO. 153WTN-3A						
				APPD BY: R.C.	SHEET NO. 153WTN-3A						