

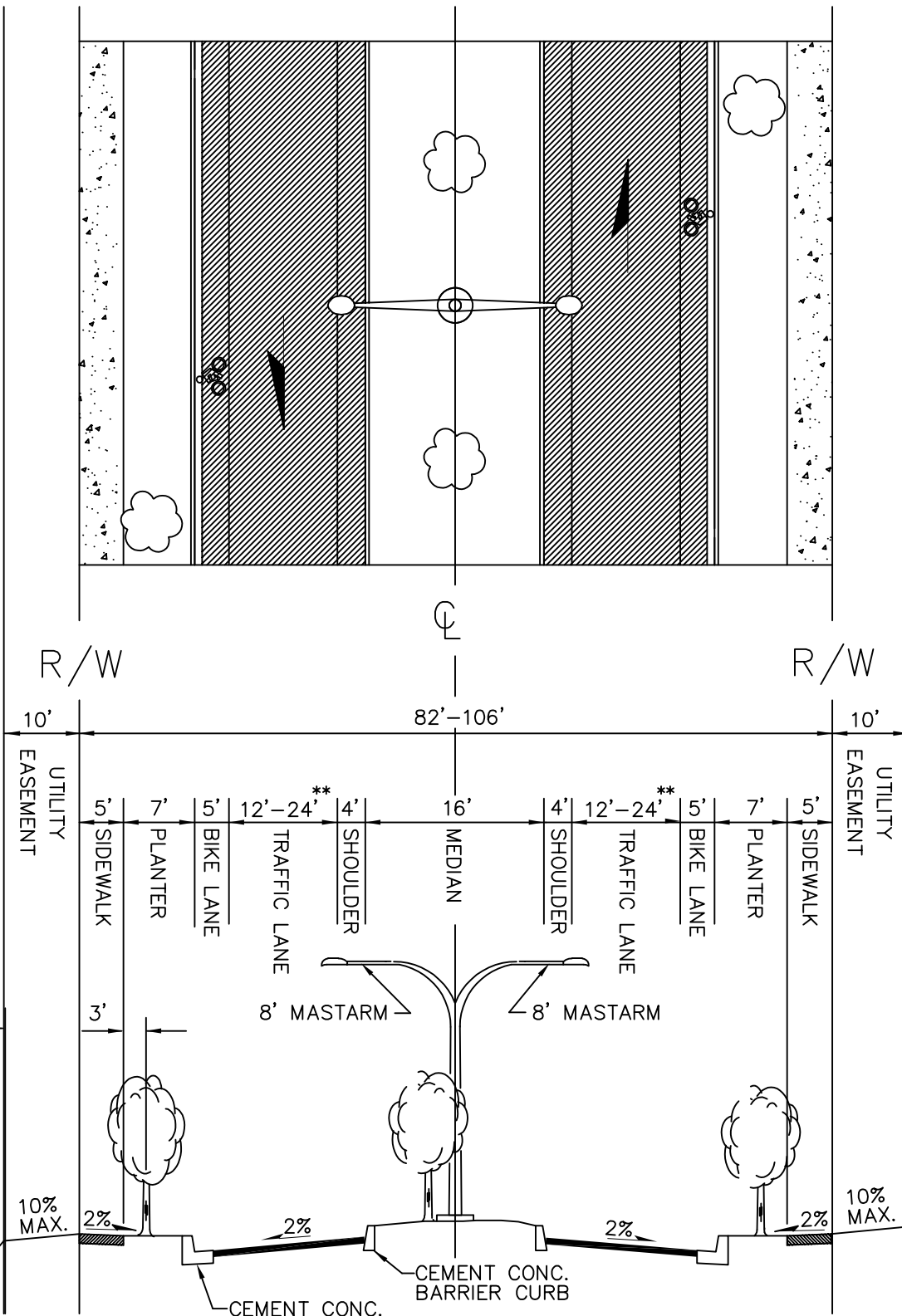
** 11' WITH 1 LANE
22' WITH 2 LANES

GENERAL NOTES:

1. NO "ON STREET" PARKING PERMITTED.
2. REFER TO RELEVANT SECTIONS OF THE DEVELOPMENT GUIDELINES FOR ADDITIONAL INFORMATION ON STORM DRAINAGE, STREET LIGHTING, PAVEMENT STRUCTURE, ECT.

JEG

CITY OF YELM DEPT. OF PUBLIC WORKS			
BOULEVARD WITH SWALE			
APPROVED		DWG. NO.	
PUBLIC WORKS DIRECTOR		DATE	
DES.	DWN.	CKD.	DATE
			9/21/2000



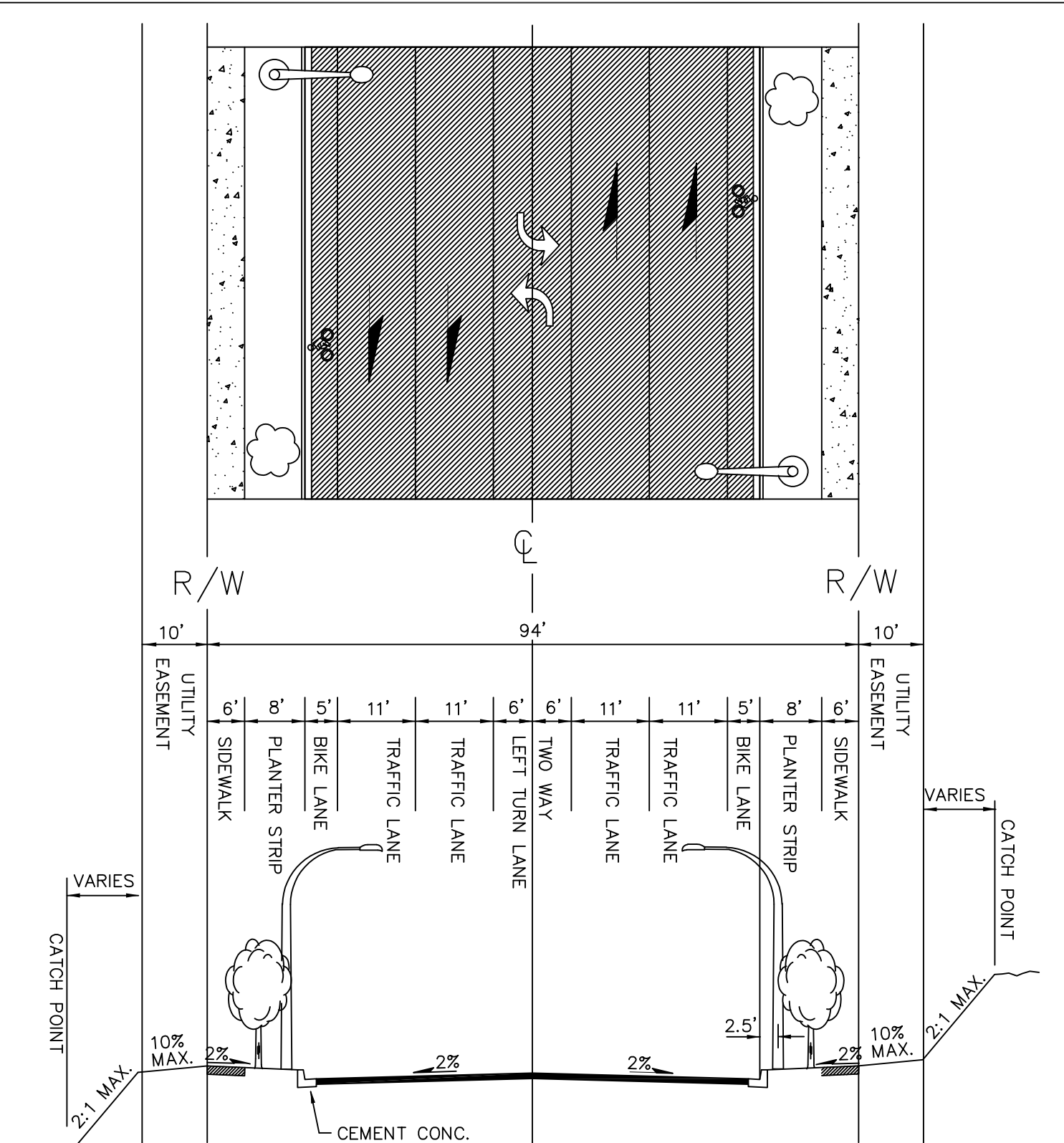
** 12' WITH 1 LANE
24' WITH 2 LANES

GENERAL NOTES:

1. NO "ON STREET" PARKING PERMITTED.
2. REFER TO RELEVANT SECTIONS OF THE DEVELOPMENT GUIDELINES FOR ADDITIONAL INFORMATION ON STORM DRAINAGE, STREET LIGHTING, PAVEMENT STRUCTURE, ECT.

JEG

CITY OF YELM DEPT. OF PUBLIC WORKS			
BOULEVARD W/ CENTRAL ISLAND			
APPROVED		DWG. NO.	
PUBLIC WORKS DIRECTOR		DATE	
DES.	DWN.	CKD.	DATE
			9/21/2000



R/W

R/W

10'

94'

10'

UTILITY
EASEMENT

UTILITY
EASEMENT

6'

8'

5'

11'

11'

6'

6'

11'

11'

5'

8'

6'

SIDEWALK

PLANTER STRIP

BIKE LANE

TRAFFIC LANE

TRAFFIC LANE

LEFT TURN LANE

TWO WAY

TRAFFIC LANE

TRAFFIC LANE

BIKE LANE

PLANTER STRIP

SIDEWALK

VARIES

CATCH POINT

2:1 MAX.

VARIES

CATCH POINT

2:1 MAX.

10% MAX.

2%

2%

2%

2.5'

10% MAX.

2%

CEMENT CONC.
BARRIER CURB
AND GUTTER

CITY OF YELM
DEPT. OF PUBLIC WORKS

MAJOR ARTERIAL

GENERAL NOTES:

1. NO "ON STREET" PARKING PERMITTED.
2. REFER TO RELEVANT SECTIONS OF THE DEVELOPMENT GUIDELINES FOR ADDITIONAL INFORMATION ON STORM DRAINAGE, STREET LIGHTING, PAVEMENT STRUCTURE, ECT.

APPROVED

DWG. NO.

PUBLIC WORKS DIRECTOR

DATE

2-2

DES.

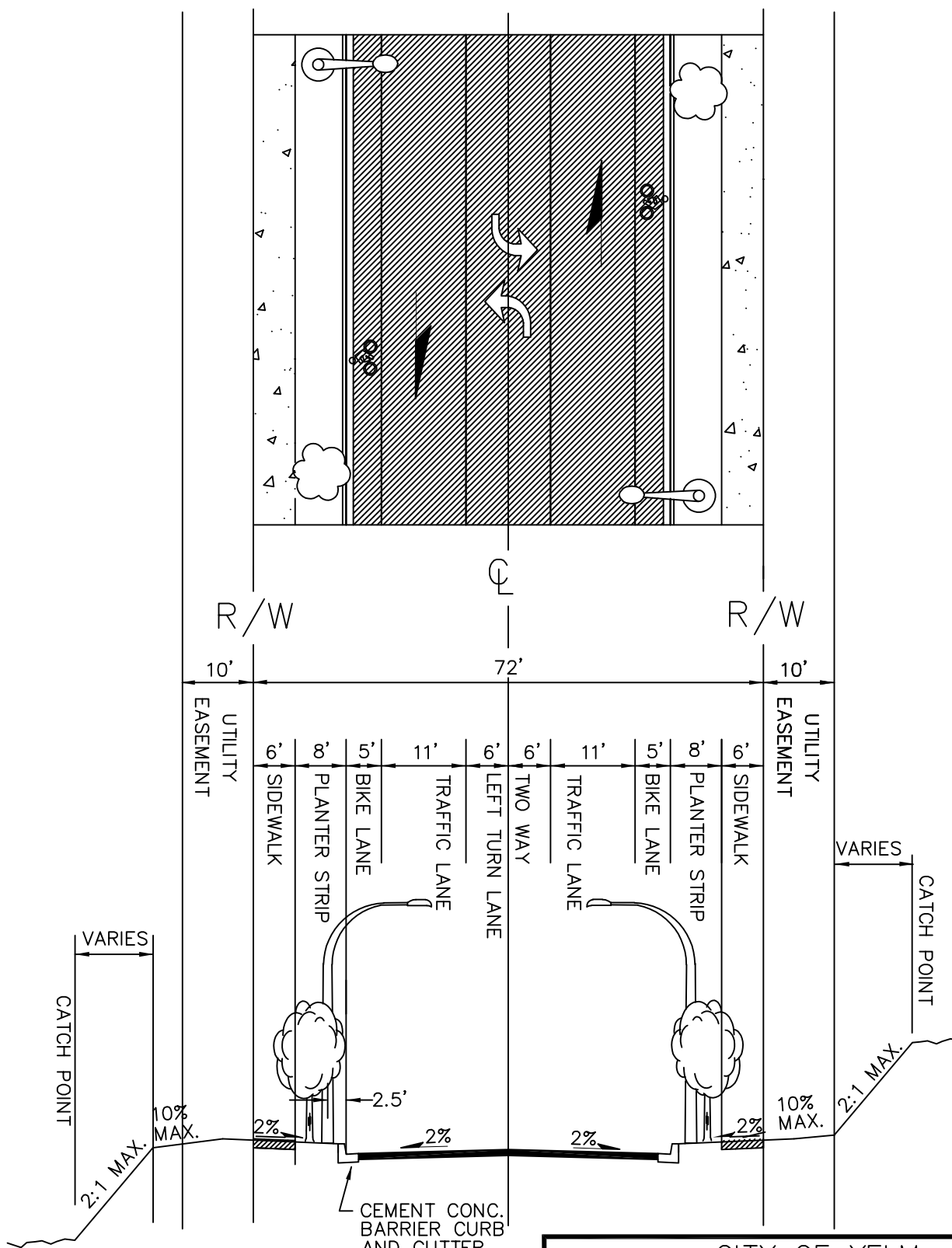
DWN.

CKD.

DATE

9/21/2000

JEG



GENERAL NOTES:

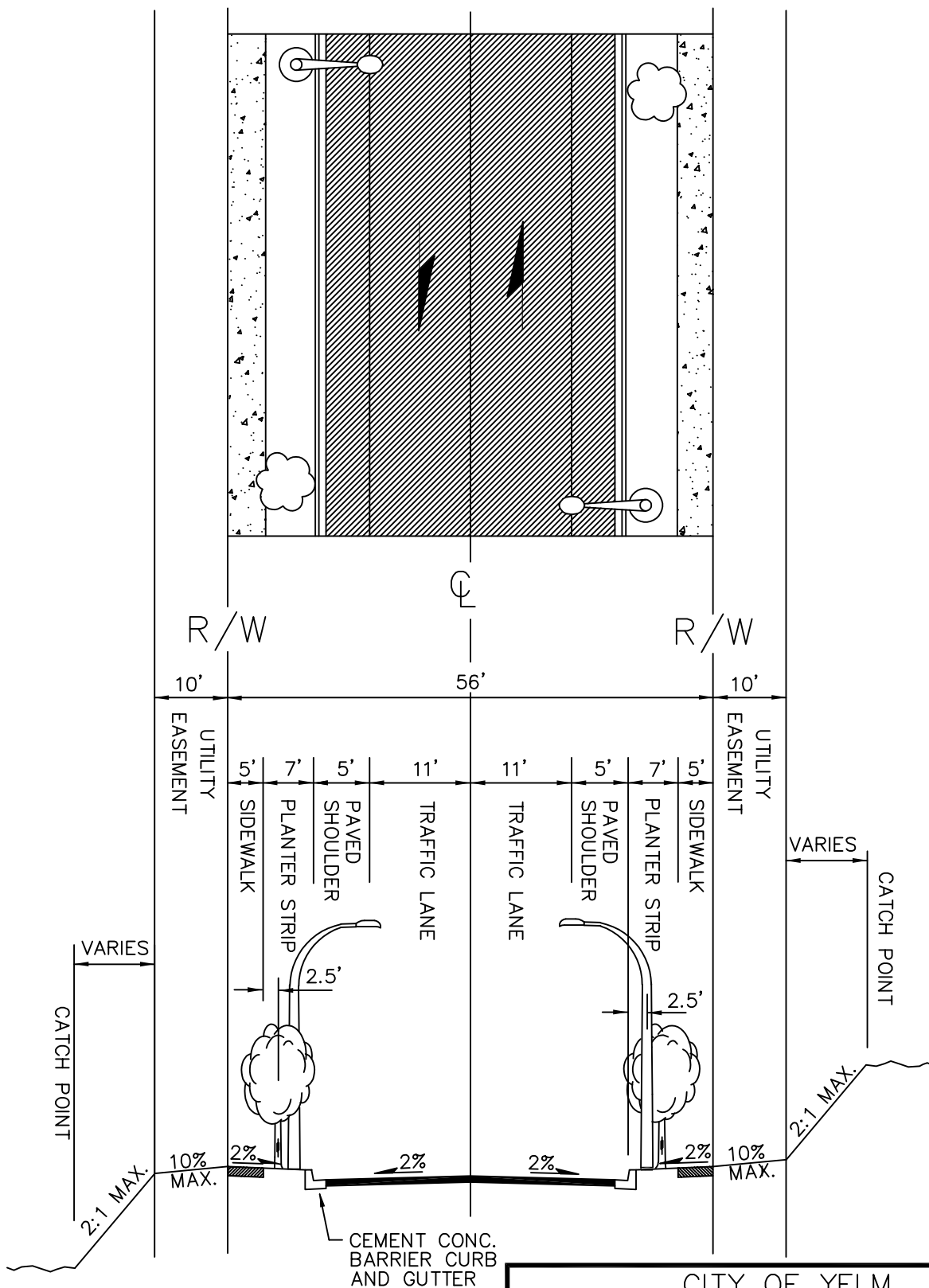
1. NO "ON STREET" PARKING PERMITTED.
2. REFER TO RELEVANT SECTIONS OF THE DEVELOPMENT GUIDELINES FOR ADDITIONAL INFORMATION ON STORM DRAINAGE, STREET LIGHTING, PAVEMENT STRUCTURE, ECT.

CITY OF YELM
DEPT. OF PUBLIC WORKS

URBAN ARTERIAL

APPROVED			DWG. NO.
PUBLIC WORKS DIRECTOR			DATE
DES.	DWN.	CKD.	DATE
			9/21/2000

JEG



GENERAL NOTES:

1. NO "ON STREET" PARKING PERMITTED.
2. REFER TO RELEVANT SECTIONS OF THE DEVELOPMENT GUIDELINES FOR ADDITIONAL INFORMATION ON STORM DRAINAGE, STREET LIGHTING, PAVEMENT STRUCTURE, ECT.

CITY OF YELM
DEPT. OF PUBLIC WORKS

COMMERCIAL
COLLECTOR

APPROVED

DWG. NO.

2-4

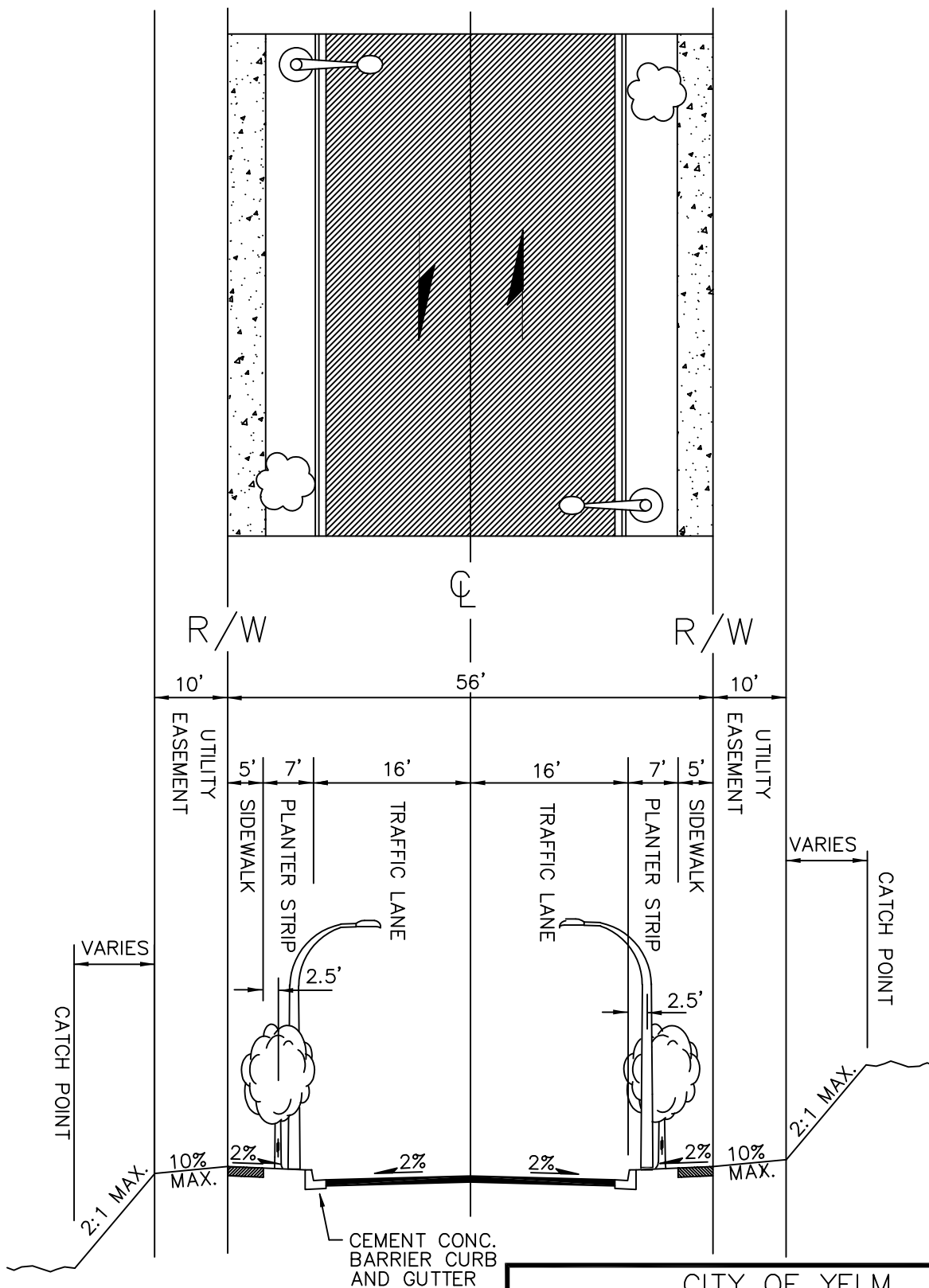
DES.

DWN.

CKD.

DATE

9/21/2000



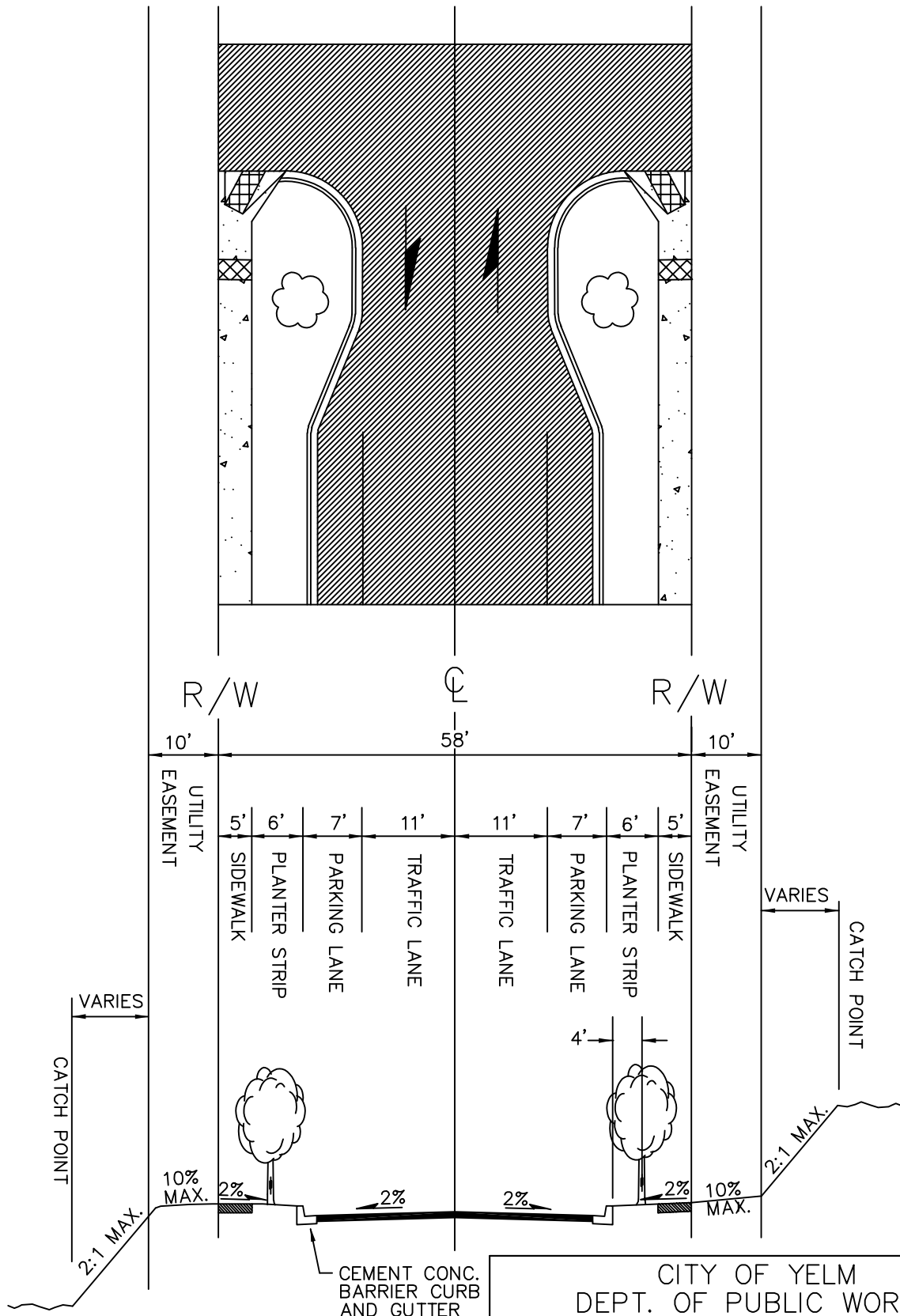
GENERAL NOTES:

1. NO "ON STREET" PARKING PERMITTED.
2. REFER TO RELEVANT SECTIONS OF THE DEVELOPMENT GUIDELINES FOR ADDITIONAL INFORMATION ON STORM DRAINAGE, STREET LIGHTING, PAVEMENT STRUCTURE, ECT.

CITY OF YELM
DEPT. OF PUBLIC WORKS

NEIGHBORHOOD
COLLECTOR

APPROVED			DWG. NO. 2-5
DES.	DWN.	CKD.	DATE 9/21/2000



GENERAL NOTES:

- 1. "ON STREET" PARKING PERMITTED.
- 2. REFER TO RELEVANT SECTIONS OF THE DEVELOPMENT GUIDELINES FOR ADDITIONAL INFORMATION ON STORM DRAINAGE, STREET LIGHTING, PAVEMENT STRUCTURE, ECT.

CITY OF YELM
DEPT. OF PUBLIC WORKS

LOCAL ACCESS COMMERCIAL

APPROVED _____

DWG. NO.

2-6

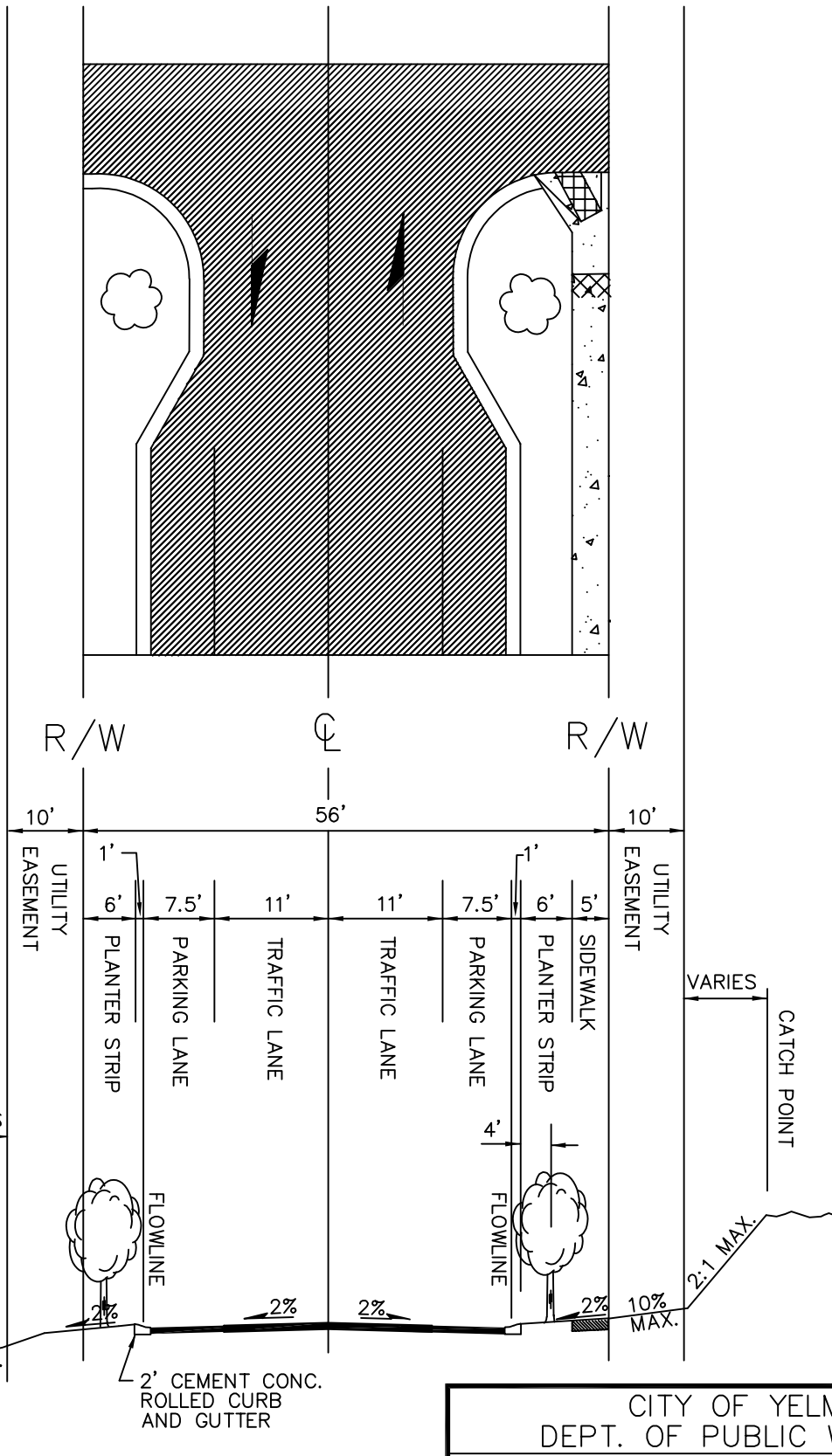
DES.

DWN.

CKD.

DATE

9/21/2000



GENERAL NOTES:

1. "ON STREET" PARKING PERMITTED.
2. REFER TO RELEVANT SECTIONS OF THE DEVELOPMENT GUIDELINES FOR ADDITIONAL INFORMATION ON STORM DRAINAGE, STREET LIGHTING, PAVEMENT STRUCTURE, ETC.

CITY OF YELM DEPT. OF PUBLIC WORKS			
LOCAL ACCESS RESIDENTIAL			
APPROVED _____			DWG. NO. 2-7
DES.	DWN.	CKD.	DATE

JEG

PEDESTRIAN-ORIENTED STREETS:

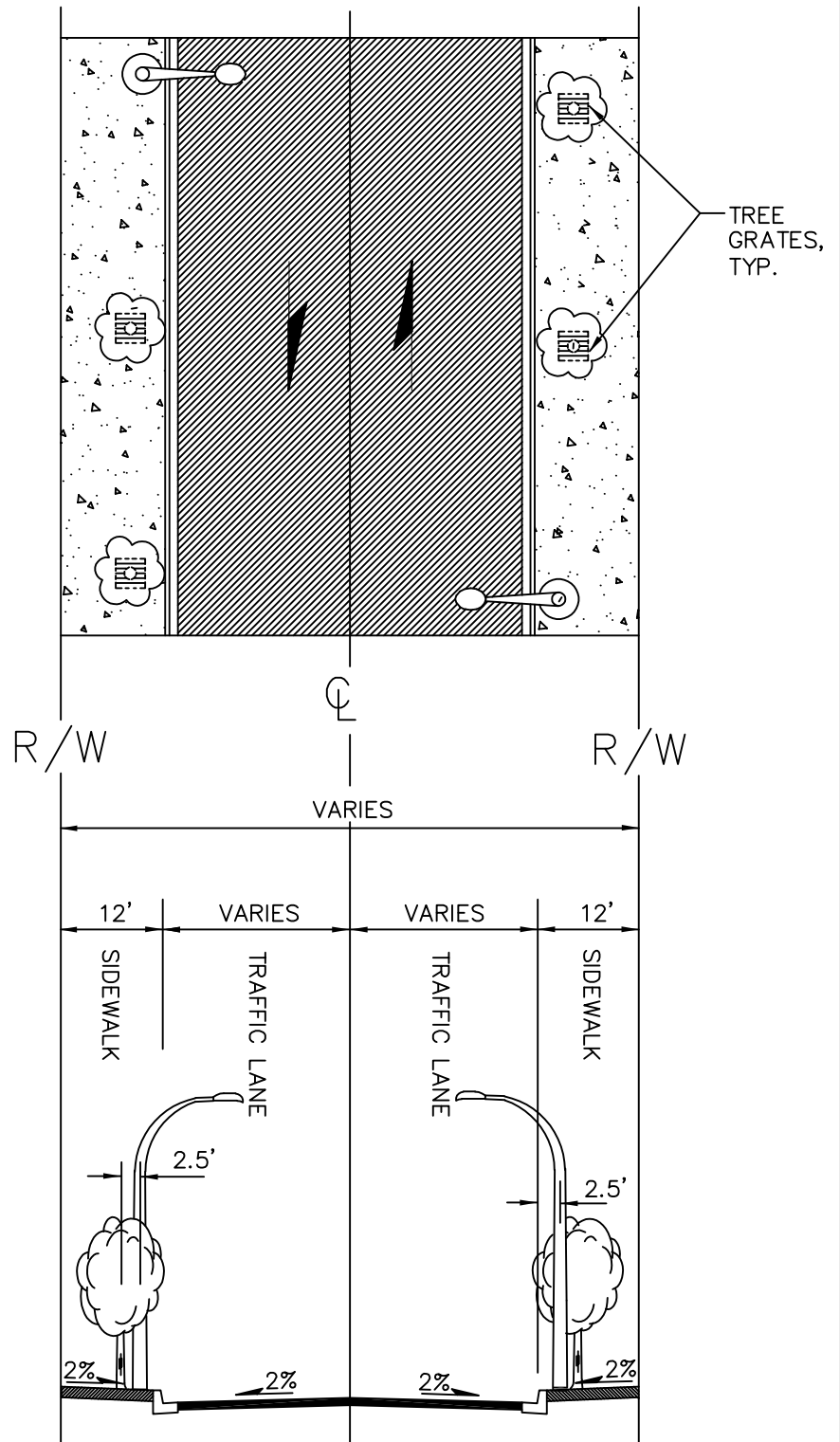
****YELM AVENUE**
Between Solberg W. and 4th Street E.

****FIRST STREET**
Between Mosman Avenue SE and Jefferson Avenue NE

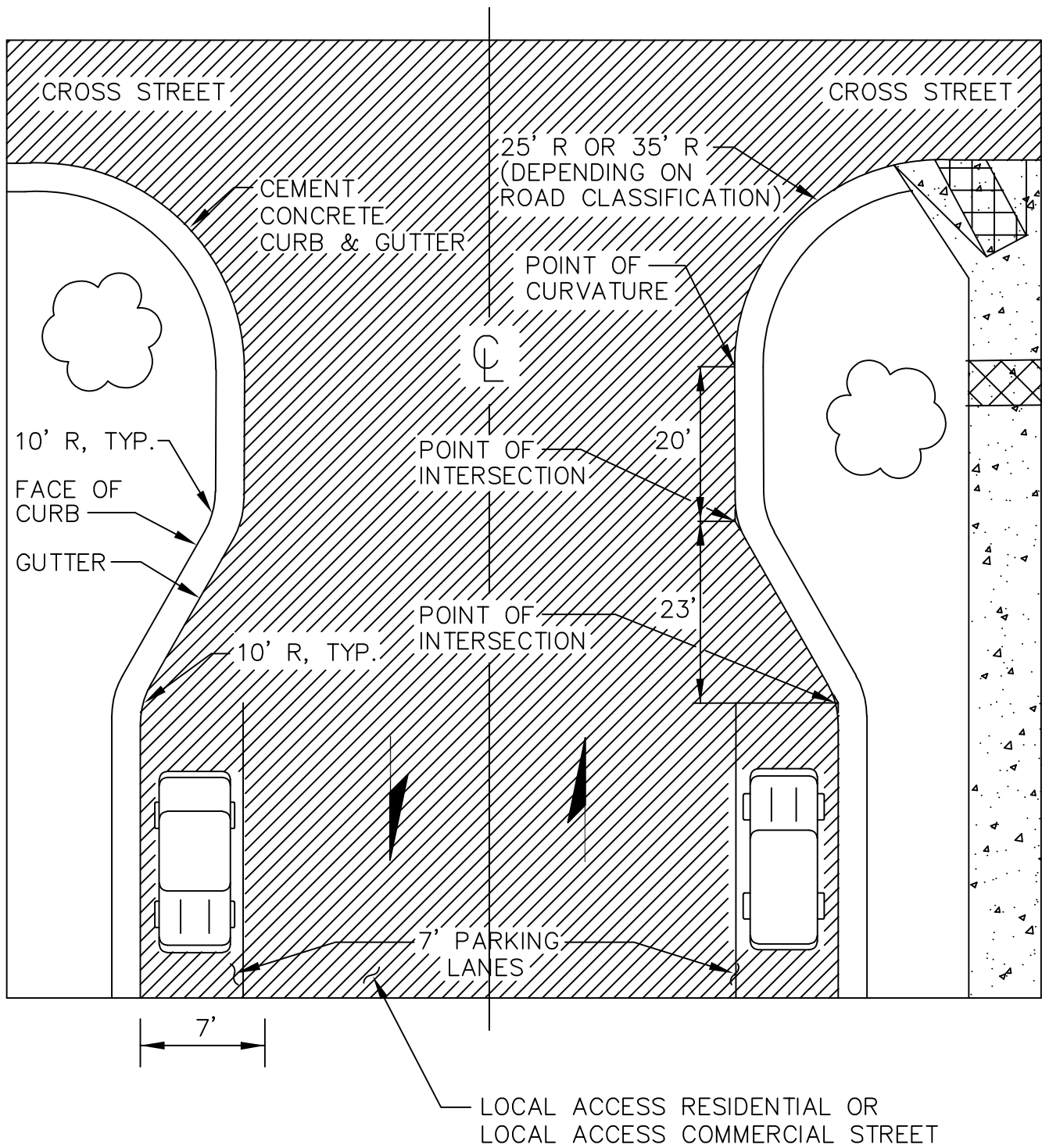
****SECOND STREET SE**
Between Washington Avenue SE and Yelm Avenue E

****THIRD STREET SE**
Between Washington Avenue SE and Yelm Avenue E

****ALL PUBLIC STREETS**
Within 1000 feet of the intersection of Yelm Avenue W. and Killion Road NW



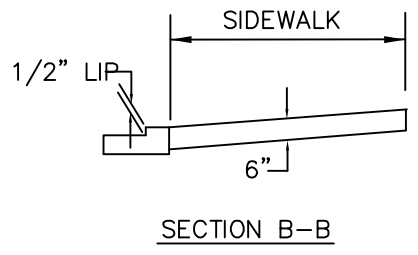
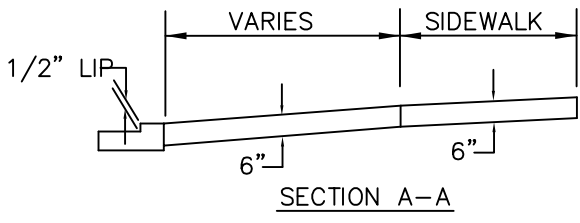
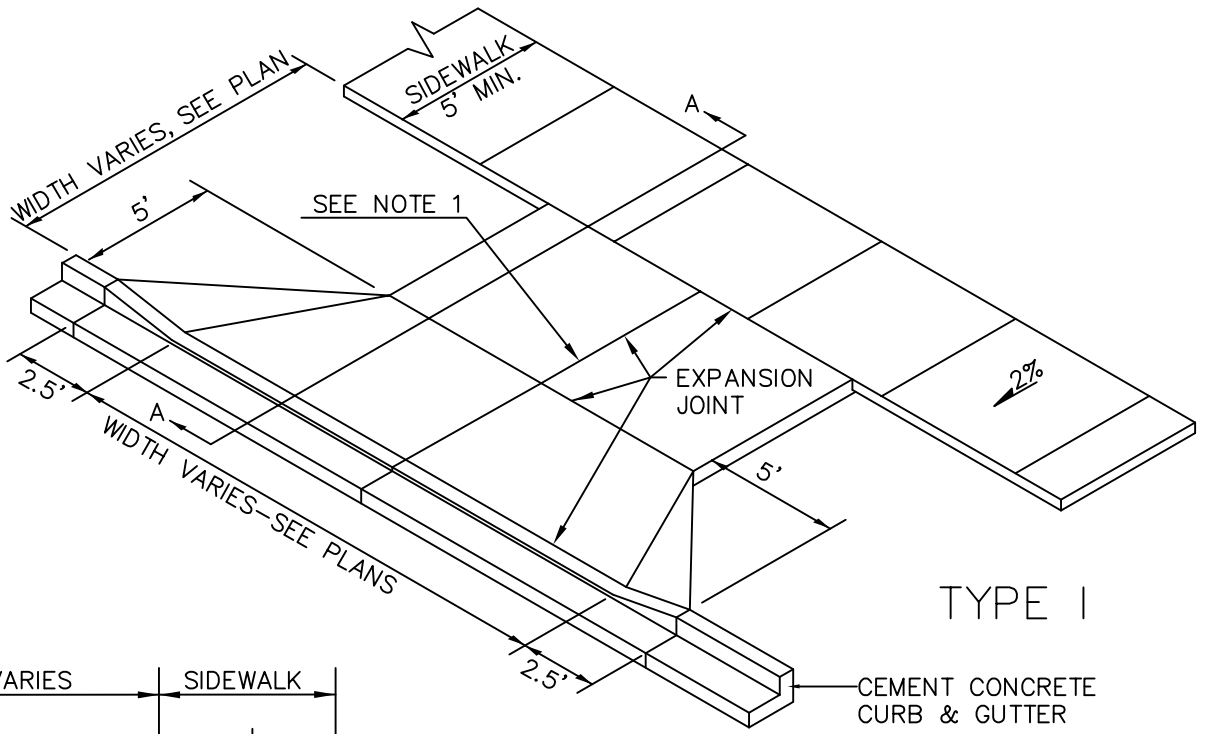
CITY OF YELM DEPT. OF PUBLIC WORKS			
TYPICAL PEDESTRIAN-ORIENTED STREET SECTION			
APPROVED _____			DWG. NO. 2-8A
DES.	DWN.	CKD.	DATE 9/21/2000



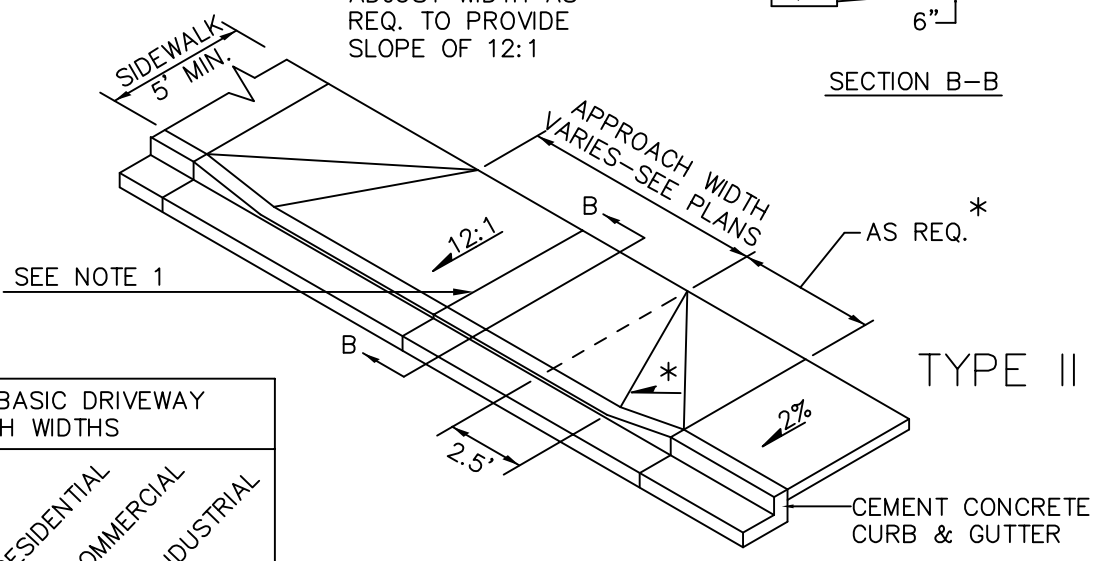
GENERAL NOTE:

1. REFER TO RELEVANT SECTIONS OF THE DEVELOPMENT GUIDELINES FOR ADDITIONAL INFORMATION ON STORM DRAINAGE, STREET LIGHTING, PAVEMENT STRUCTURE, ETC.

CITY OF YELM DEPT. OF PUBLIC WORKS			
ON-STREET PARKING DETAIL			
APPROVED			DWG. NO.
_____			2-8B
DES.	DWN.	CKD.	DATE
JEG			9/21/2000



* ADJUST WIDTH AS REQ. TO PROVIDE SLOPE OF 12:1



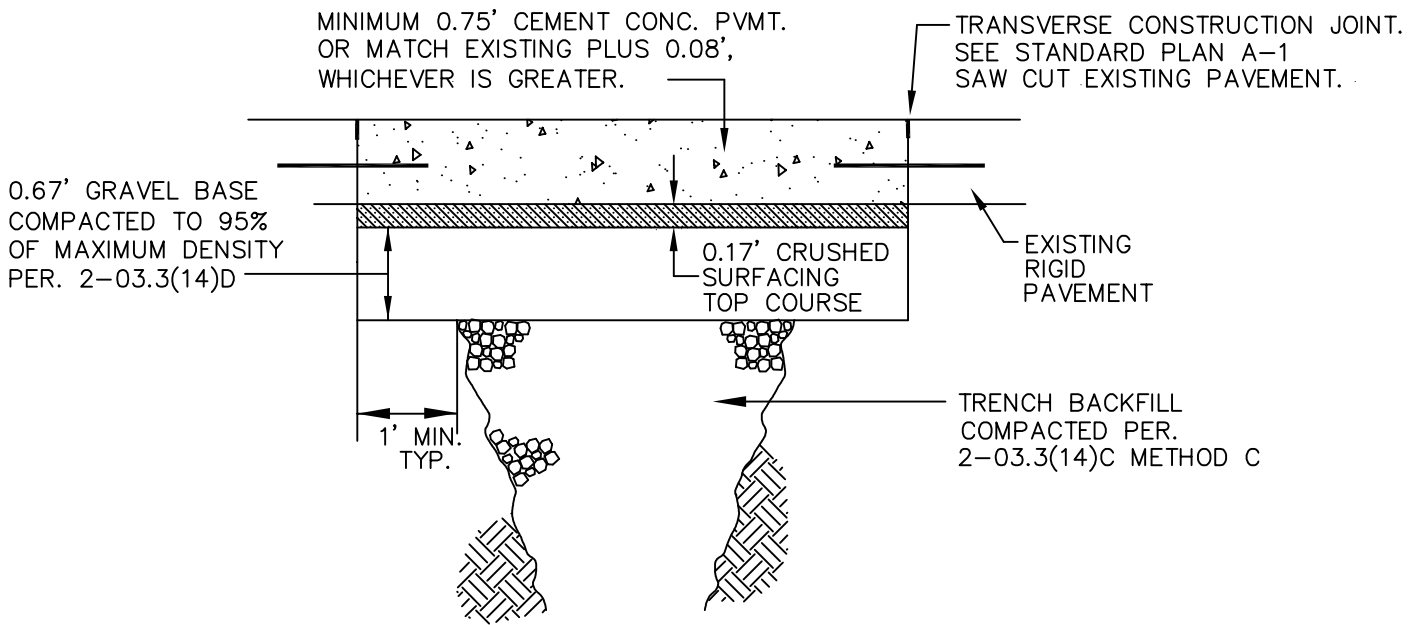
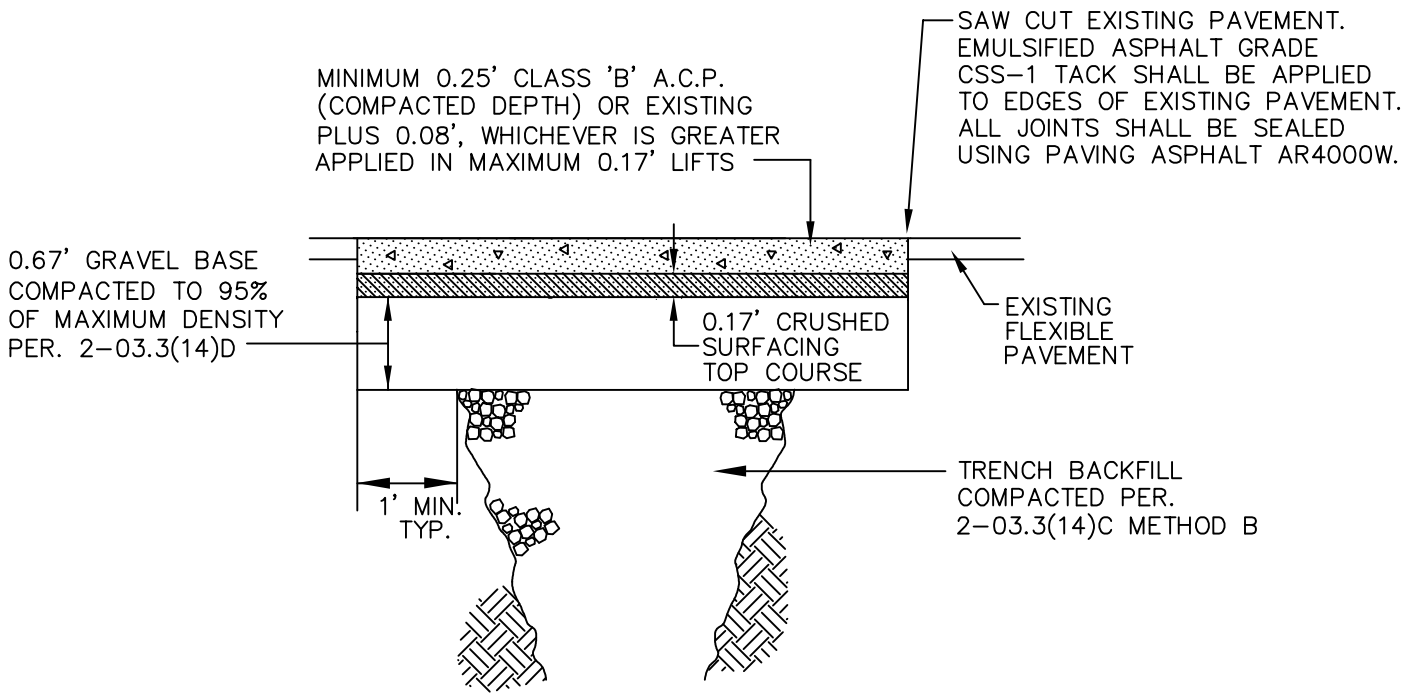
SEE NOTE 1

RECOMMENDED BASIC DRIVEWAY APPROACH WIDTHS			
NOMINAL WIDTH	RESIDENTIAL	COMMERCIAL	INDUSTRIAL
ONE-WAY	10'	15'	20'
TWO-WAY	10'	30'	40'

NOTES:

1. WHERE APPROACH EXCEEDS 16' WIDTH A FULL DEPTH EXPANSION JOINT SHALL BE PLACED LONGITUDINALLY, CENTERED IN THE APPROACH.
2. FORM AND SUBGRADE INSPECTION ARE REQUIRED BEFORE POURING CONCRETE.
3. REFER TO SECTION 4B.140, YELM DEVELOPMENT GUIDELINES.

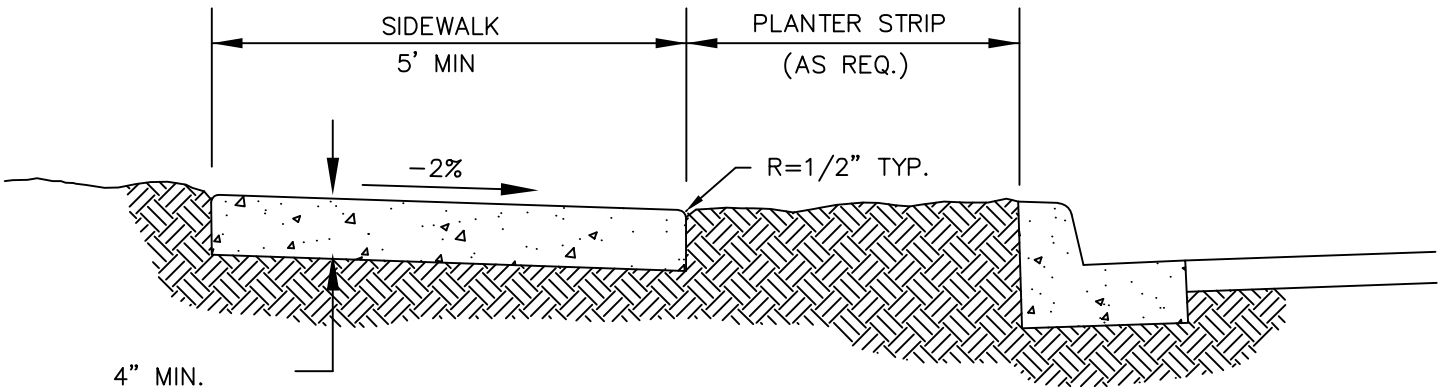
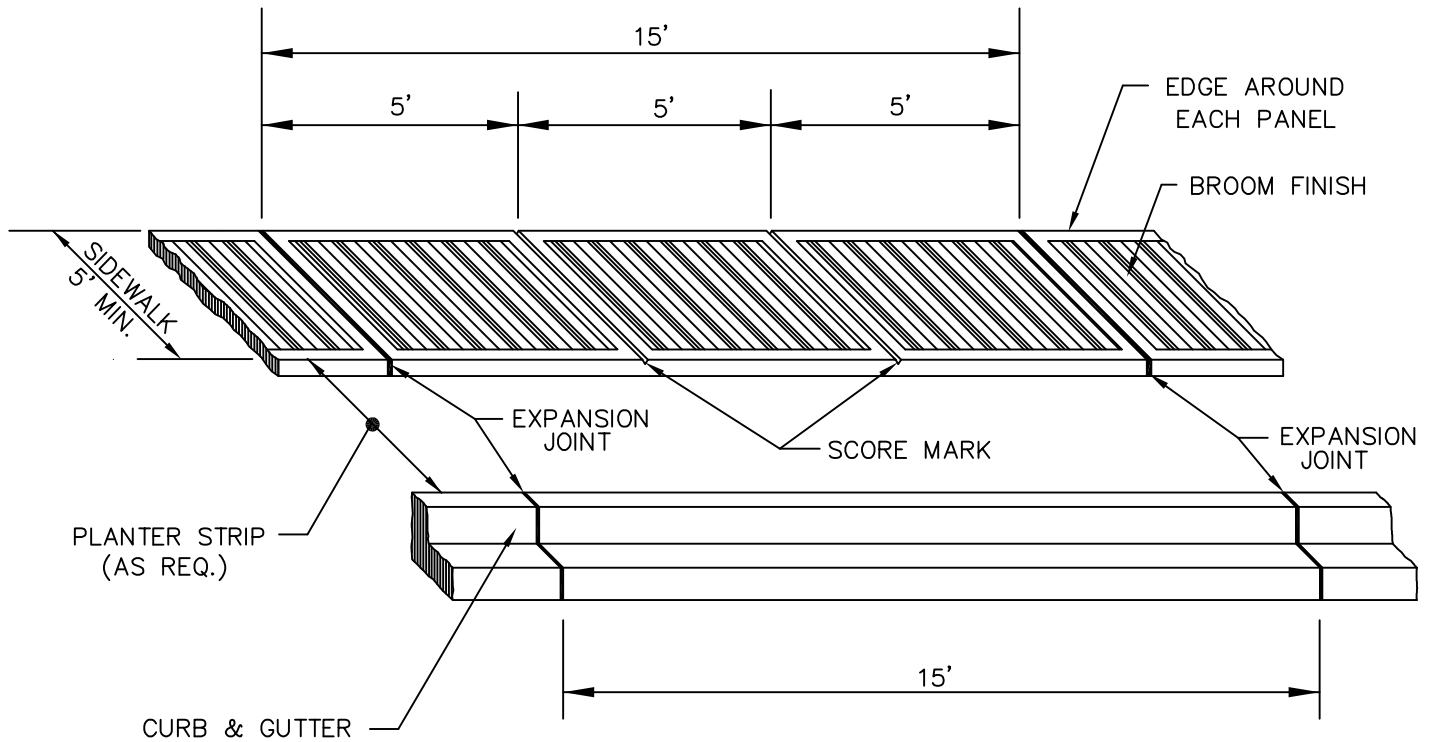
CITY OF YELM DEPT. OF PUBLIC WORKS			
CEMENT CONCRETE APPROACH			
APPROVED			DWG. NO.
PUBLIC WORKS DIRECTOR		DATE	2-9
DES.	DWN.	CKD.	DATE
S-C	S-C	S-C	2/2/95



NOTES:

1. ALL MATERIALS, WORKMANSHIP, AND INSTALLATION SHALL BE IN CONFORMANCE WITH THE STANDARD SPECIFICATIONS FOR ROAD, BRIDGE AND MUNICIPAL CONSTRUCTION AS AMENDED BY CITY OF YELM STANDARDS.

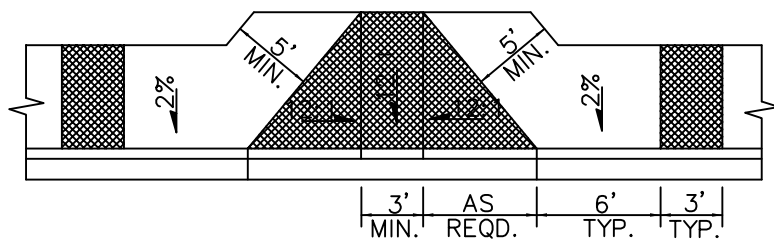
CITY OF YELM DEPT. OF PUBLIC WORKS			
TRENCH-PAVEMENT RESTORATION DETAIL			
APPROVED			DWG. NO.
PUBLIC WORKS DIRECTOR		DATE	2-10
DES.	DWN.	CKD.	DATE
S-C	S-C	S-C	10/3/94



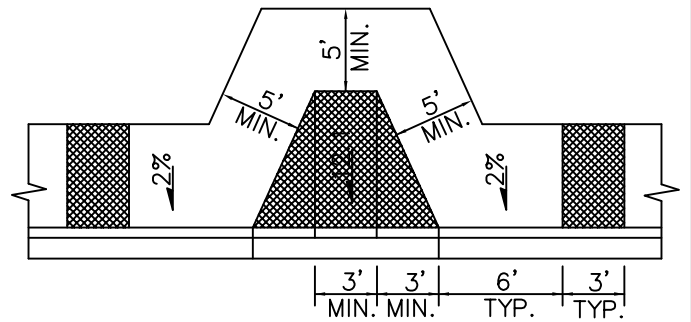
NOTES:

1. EXPANSION JOINT MATERIAL TO BE 3/8" THICK PREMOLDED JOINT FILLER FULL THICKNESS OF CONCRETE.
2. FORM AND SUBGRADE INSPECTION REQUIRED BEFORE POURING CONCRETE.
3. SCORE MARKS SHALL BE ±1/8" WIDE BY ±1/4" DEEP. FOR SIDEWALKS OVER 8' IN WIDTH, A LONGITUDINAL SCORE MARK SHALL BE MADE ALONG CENTER OF WALK.
4. EXPANSION JOINTS SHALL BE INSTALLED IN CURB AND GUTTER AND IN SIDEWALK AT PC AND PT AT ALL CURB RETURNS. EXPANSION JOINTS SHALL BE PLACED IN SIDEWALK AT SAME LOCATIONS AS THOSE IN CURB AND GUTTER WHEN SIDEWALK IS ADJACENT TO CURB AND GUTTER, UNLESS OTHERWISE DIRECTED BY ENGINEER.

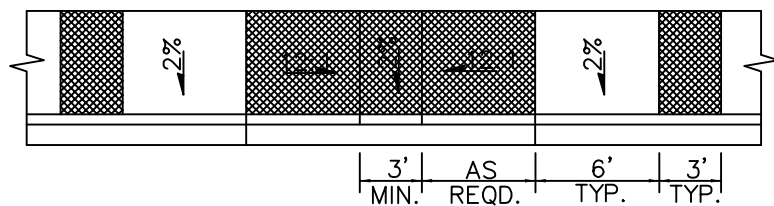
CITY OF YELM DEPT. OF PUBLIC WORKS			
CEMENT CONCRETE SIDEWALK			
APPROVED			DWG. NO.
PUBLIC WORKS DIRECTOR		DATE	2-11
DES.	DWN.	CKD.	DATE
S-C	S-C	S-C	10/3/94



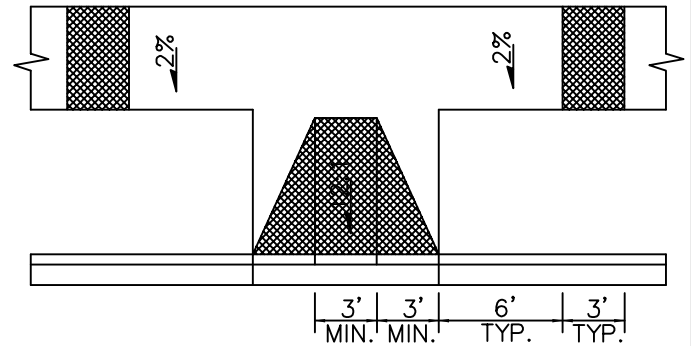
TYPE I



TYPE II



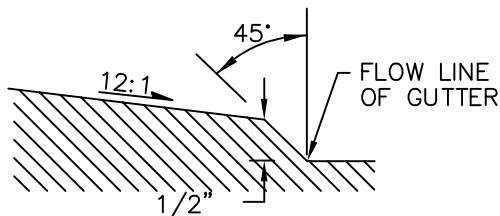
TYPE III



TYPE IV

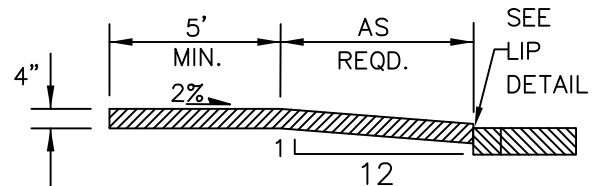
TYPICAL CURB RAMPS

BOTTOM OF RAMP MAY HAVE MAX. 1/2" LIP AT 45°.



LIP DETAIL

NOTE: SEE SIDEWALK SPACING, EXPANSION JOINTS & SCORE MARK DETAIL FOR ADDITIONAL NOTES.



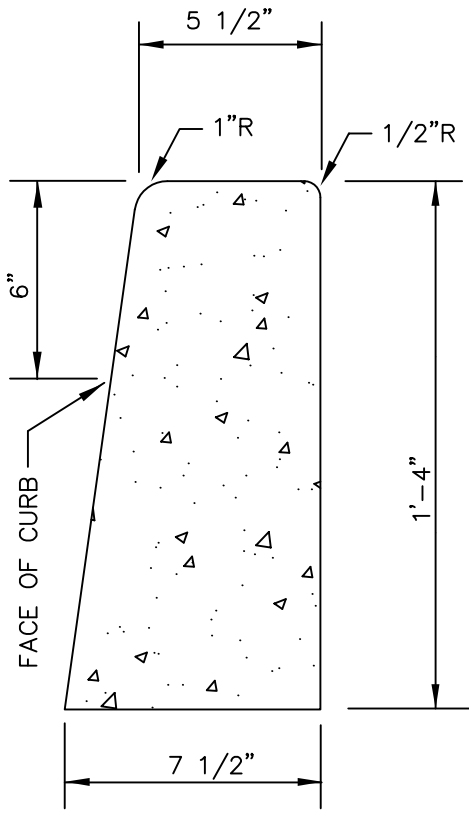
RAMP SECTION

NOTES:

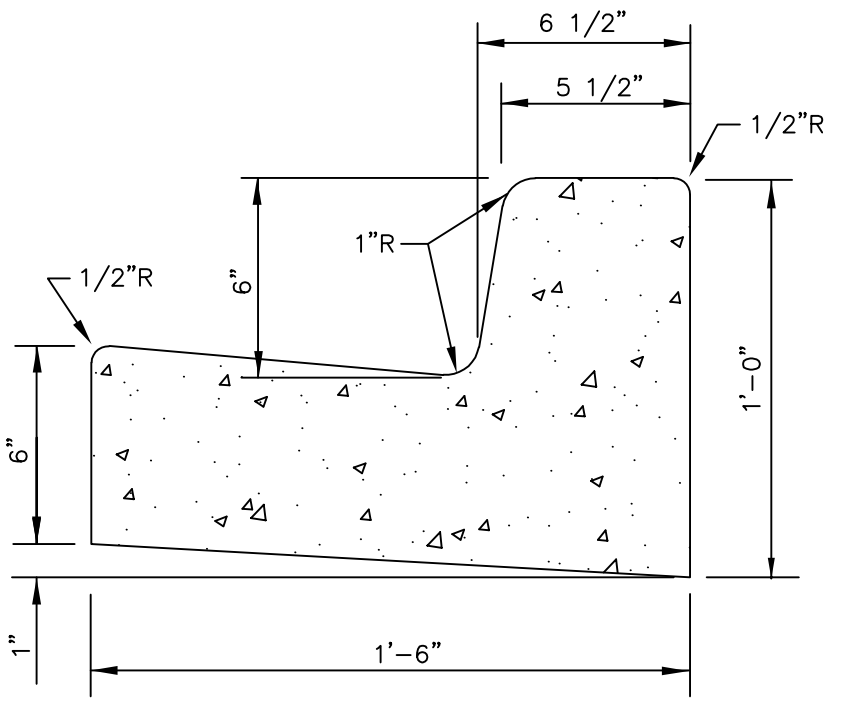
1. RAMP TEXTURING IS TO BE DONE WITH AN EXPANDED METAL GRATE PLACED AND REMOVED FROM WET CON. TO LEAVE A DIAMOND PATTERN. THE LONG AXIS OF THE DIAMOND PATTERN SHALL BE PERPENDICULAR TO THE CURB. GROOVES SHALL BE 1/8" DEEP AND 1/4" WIDE.
2. CURB RAMPS SHALL BE POURED AS A SEPARATE UNIT FROM THE SIDEWALK AND FROM THE CURB AND GUTTER, ISOLATED BY EXPANSION JOINT MATERIAL ON ALL SIDES EXCEPT AT END OF RAMP NEXT TO ROADWAY.
3. INLETS SHALL BE LOCATED SO THAT RUNOFF DOES NOT FLOW PAST THE CURB RAMP. NO INLETS ARE TO BE SET SO THAT PEDESTRIANS WALK OVER OR AROUND THEM.

JEG

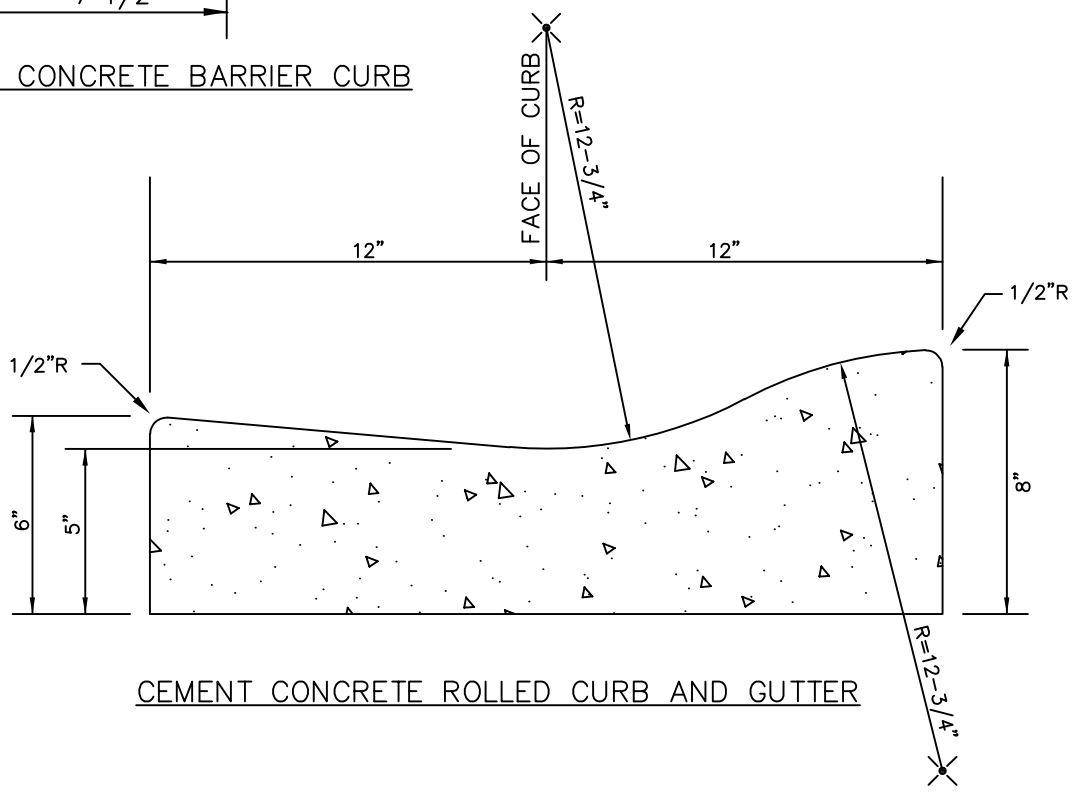
CITY OF YELM DEPT. OF PUBLIC WORKS			
TYPICAL CURB RAMPS			
APPROVED			DWG. NO.
PUBLIC WORKS DIRECTOR		DATE	2-12
DES.	DWN.	CKD.	DATE
S-C	S-C	S-C	10/3/94



CEMENT CONCRETE BARRIER CURB



CEMENT CONCRETE BARRIER CURB AND GUTTER



CEMENT CONCRETE ROLLED CURB AND GUTTER

NOTES:

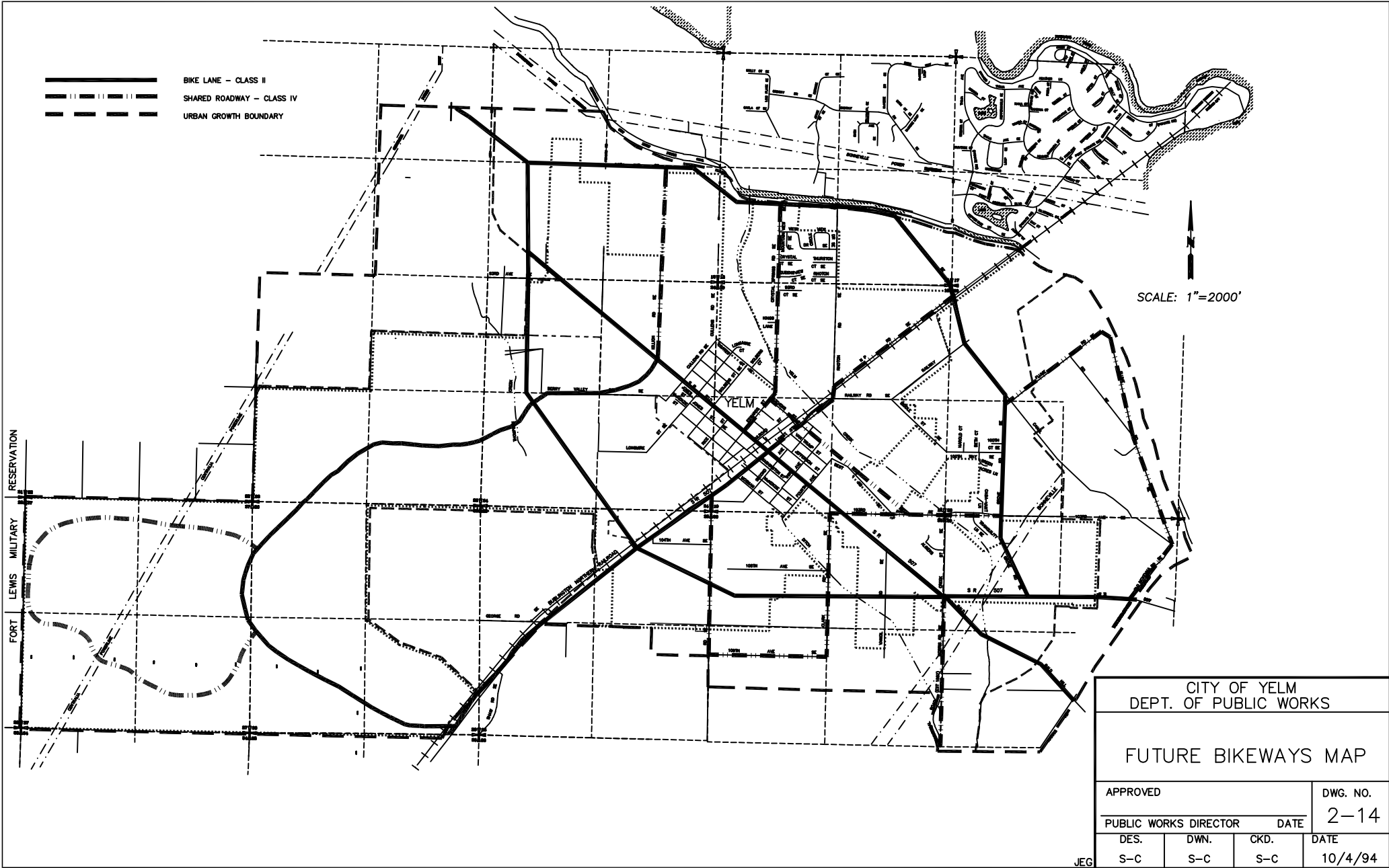
1. EXPANSION JOINT MATERIAL TO BE 3/8" THICK PREMOLDED JOINT FILLER FULL THICKNESS OF CONCRETE.
2. FORM AND SUBGRADE INSPECTION REQUIRED BEFORE POURING CONCRETE.
3. EXPANSION JOINTS TO BE PLACED ON 15' CENTERS.

CITY OF YELM DEPT. OF PUBLIC WORKS			
CEMENT CONCRETE CURBS			
APPROVED			DWG. NO.
PUBLIC WORKS DIRECTOR		DATE	2-13
DES.	DWN.	CKD.	DATE
S-C	S-C	S-C	3/15/94

JEG

 BIKE LANE - CLASS II
 SHARED ROADWAY - CLASS IV
 URBAN GROWTH BOUNDARY

SCALE: 1"=2000'

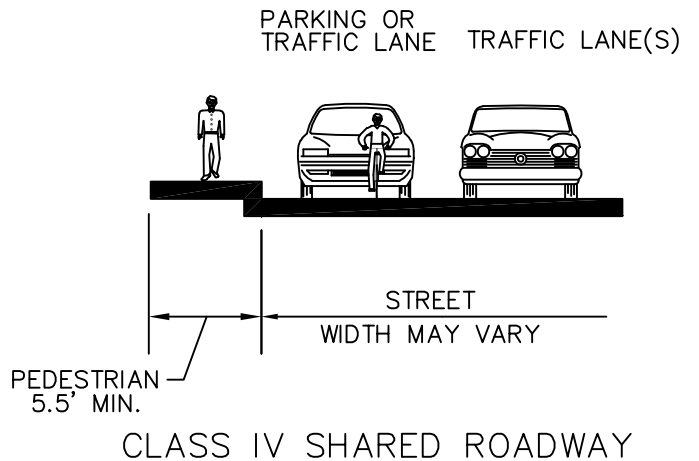
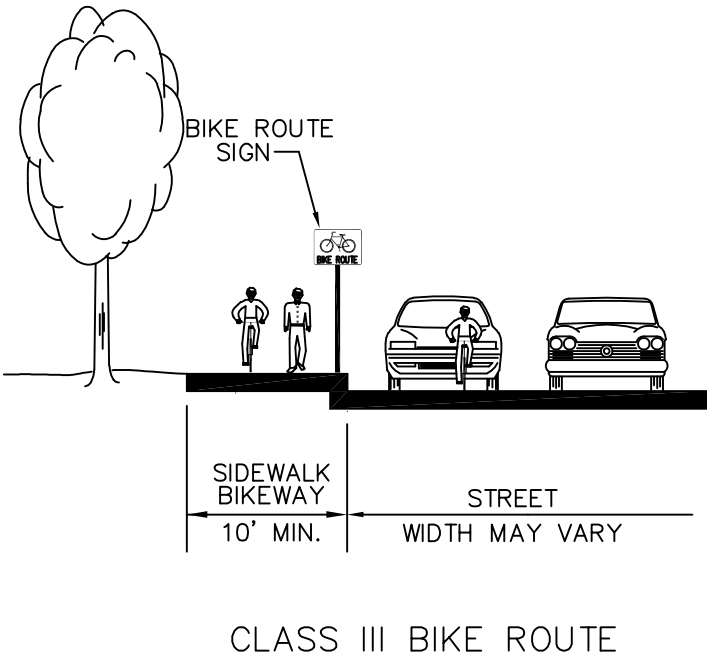
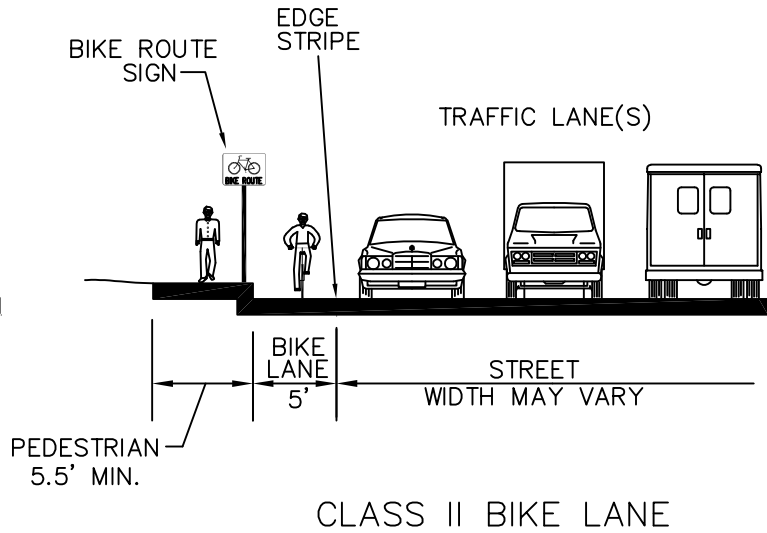
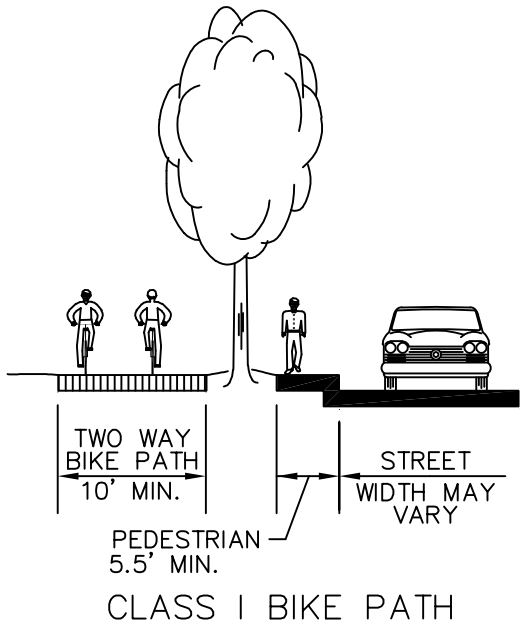


CITY OF YELM
DEPT. OF PUBLIC WORKS

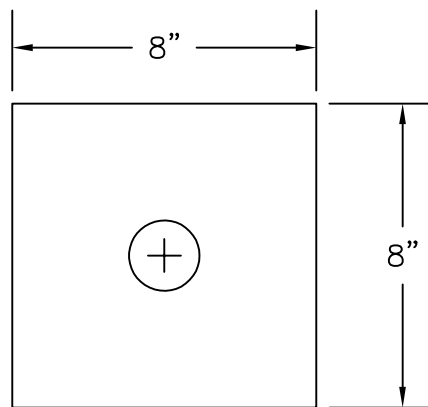
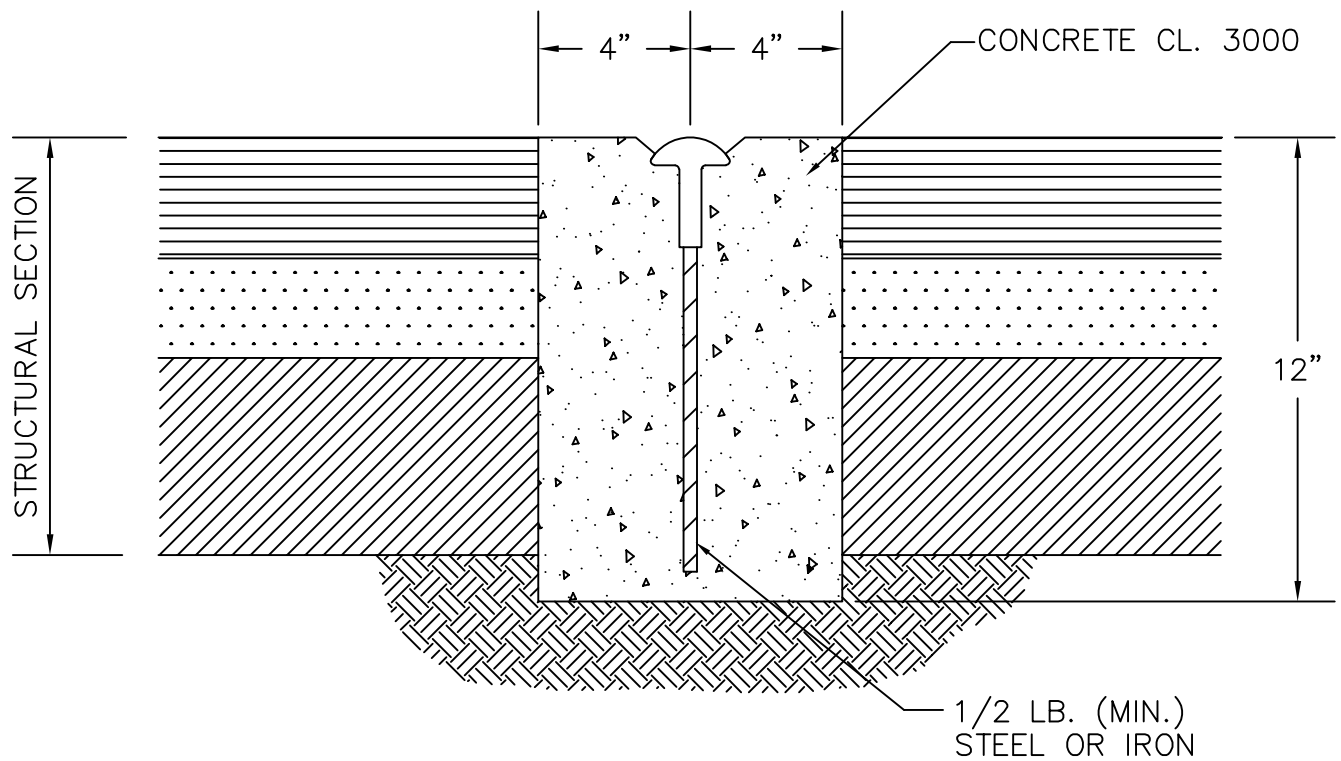
FUTURE BIKEWAYS MAP

APPROVED			DWG. NO.
PUBLIC WORKS DIRECTOR		DATE	2-14
DES.	DWN.	CKD.	DATE
S-C	S-C	S-C	10/4/94

JEG



CITY OF YELM DEPT. OF PUBLIC WORKS			
BIKEWAY CLASSES			
APPROVED			DWG. NO.
PUBLIC WORKS DIRECTOR		DATE	2-15
DES.	DWN.	CKD.	DATE
S-C	S-C	S-C	10/3/94

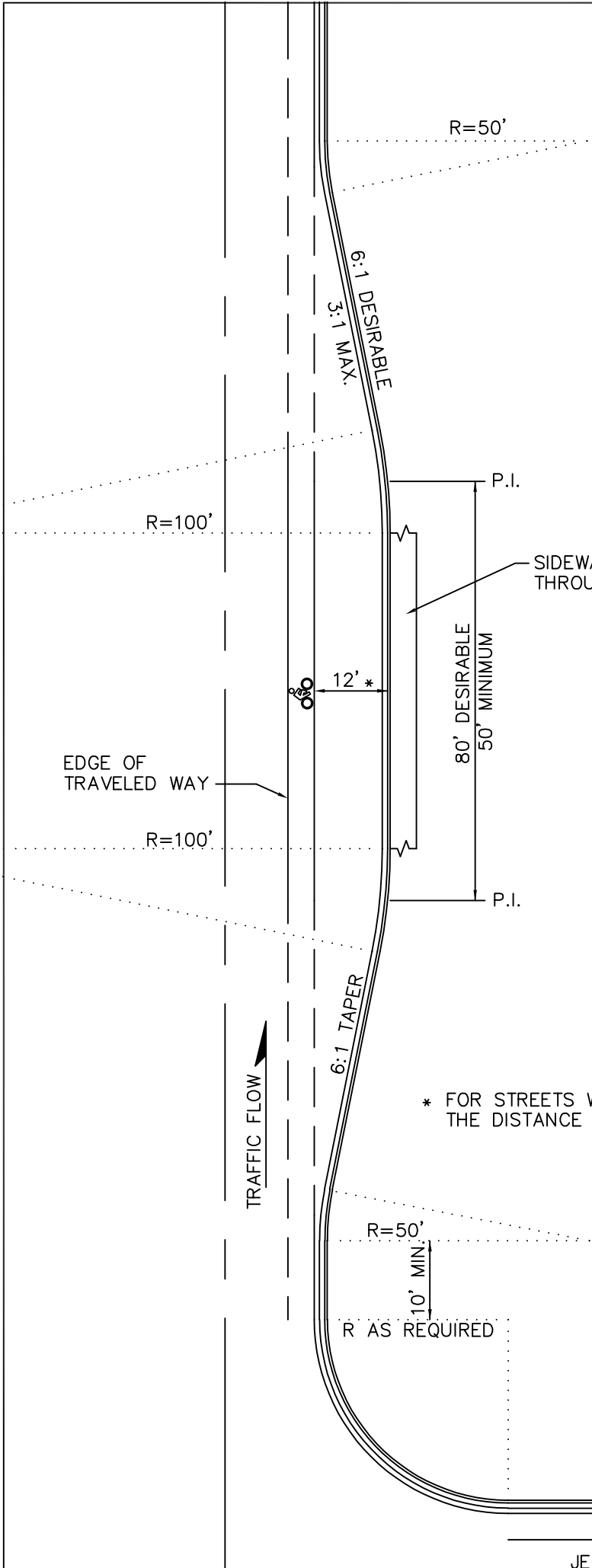


GENERAL NOTES:

1. THIS MONUMENT TO BE USED IN BITUMINOUS OR ASPHALT CONCRETE PAVEMENT WHERE CASED MONUMENT IS NOT REQUIRED
2. CONCRETE BASE DIMENSIONS SHOWN ARE MINIMUM. CONCRETE BASE NEED NOT BE FORMED.
3. CAP SHALL BE 2" MIN. DIAM. BRASS PLUG MARKER.
4. CONCRETE TO BE PLACED ON A FIRM AND UNYIELDING FOUNDATION.

CITY OF YELM DEPT. OF PUBLIC WORKS			
CAST IN PLACE MONUMENT			
APPROVED			DWG. NO.
PUBLIC WORKS DIRECTOR		DATE	2-16
DES. S-C	DWN. S-C	CKD. S-C	DATE 10/3/94

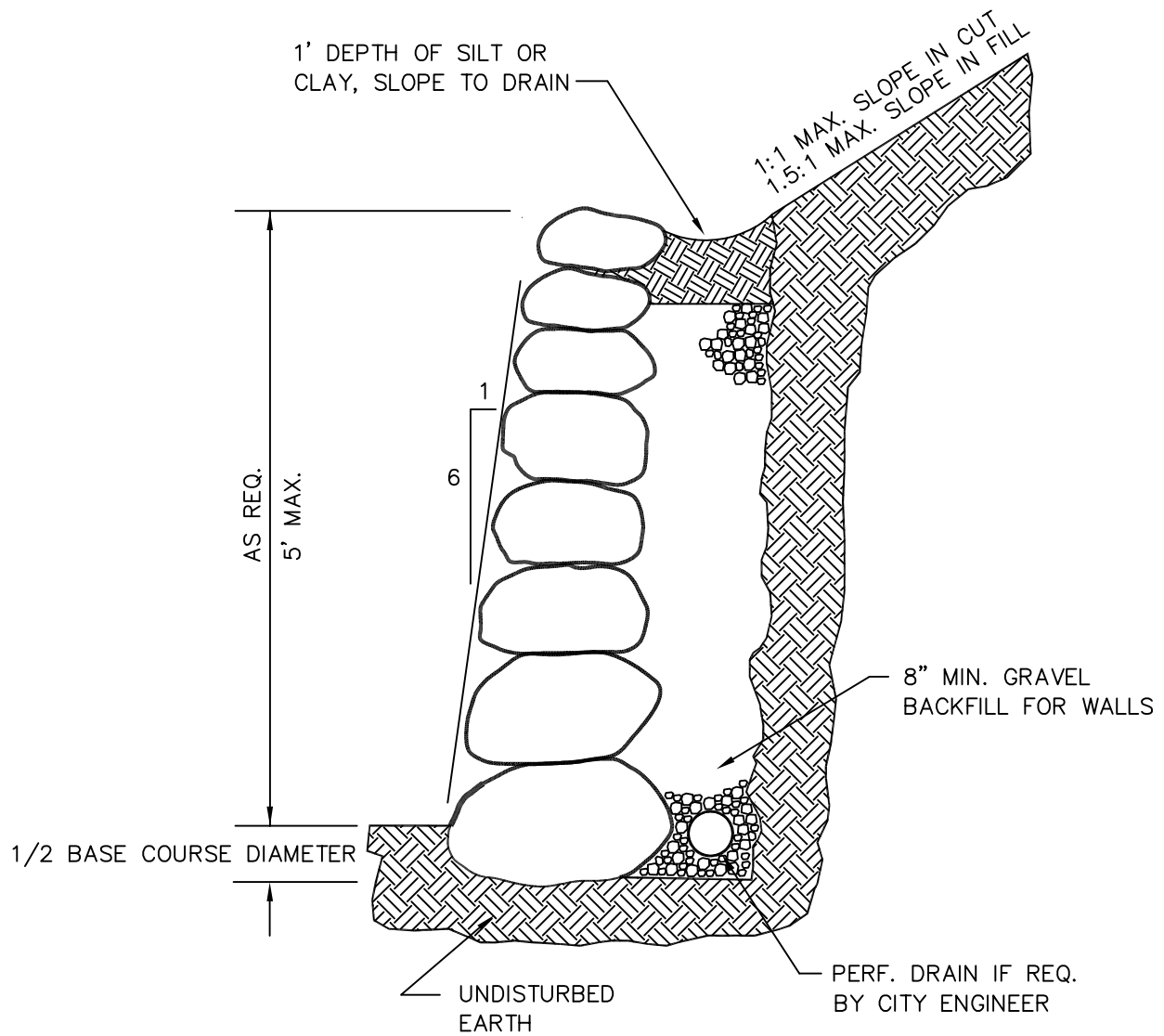
JEG



* FOR STREETS WITHOUT A CLASS II BIKE LANE THE DISTANCE IS TO EDGE OF TRAVELED WAY.

CITY OF YELM DEPT. OF PUBLIC WORKS			
BUS PULLOUT			
APPROVED			DWG. NO.
PUBLIC WORKS DIRECTOR		DATE	2-17
DES.	DWN.	CKD.	DATE
S-C	S-C	S-C	10/3/94

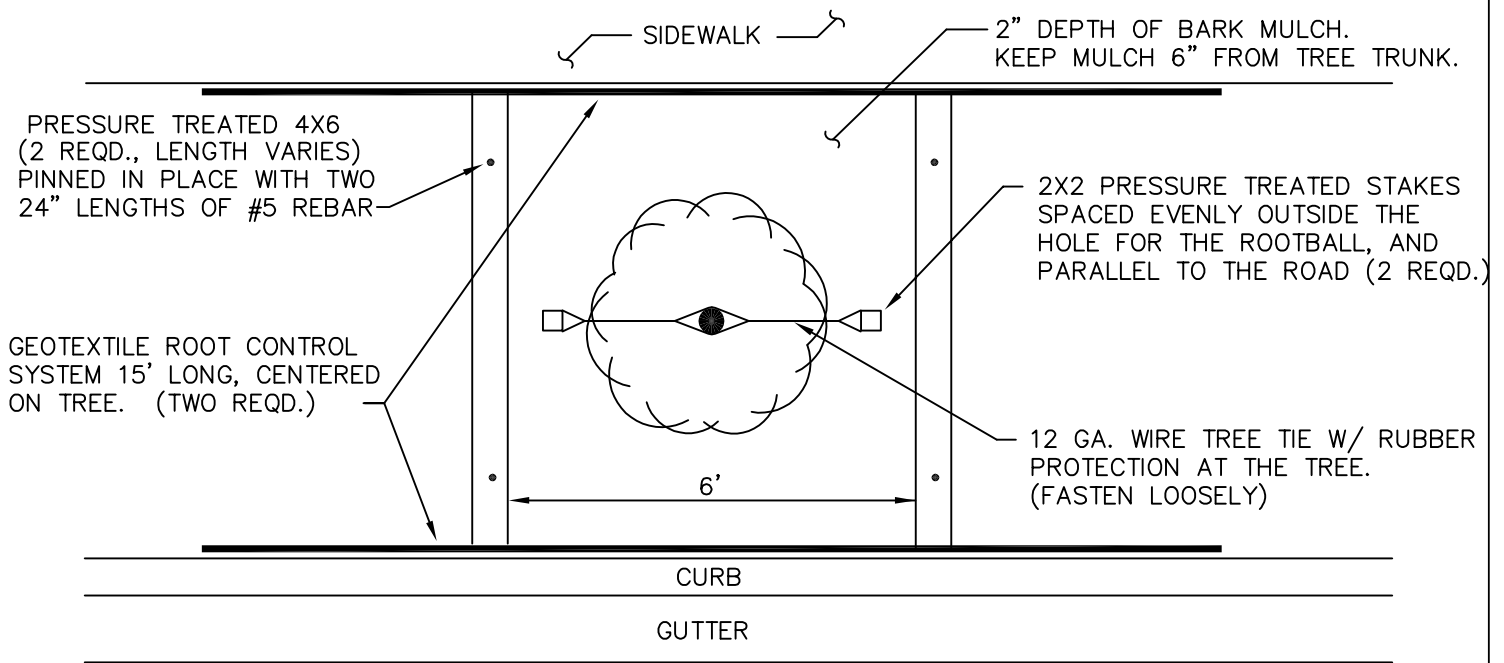
JEG



GENERAL NOTES:

1. ROCK WALLS SHALL BE CONSTRUCTED OF 3-MAN TO 2-MAN ROCKS FROM BOTTOM TO TOP. ROCK SIZES ARE AS FOLLOWS.
 - 2-MAN ROCK (300 TO 600 LBS.) 13 INCHES IN LEAST DIMENSION.
 - 3-MAN ROCK (600 TO 1200 LBS.) 16 INCHES IN LEAST DIMENSION.
2. THE ROCK WALL SHALL BE INSTALLED WITH A SMOOTH FACE.
3. THE LONG DIMENSION OF THE ROCKS SHALL BE PERPENDICULAR TO THE FACE OF THE WALL TO PROVIDE MAXIMUM STABILITY.
4. EACH ROCK SHALL BE PLACED SO AS TO LOCK INTO TWO ROCKS IN THE LOWER TIER.
5. CALL FOR INSPECTION PRIOR TO SETTING ANY ROCKS.
6. DESIGNS VARYING FROM THAT SHOWN SHALL CARRY THE SEAL OF A CIVIL ENGINEER.

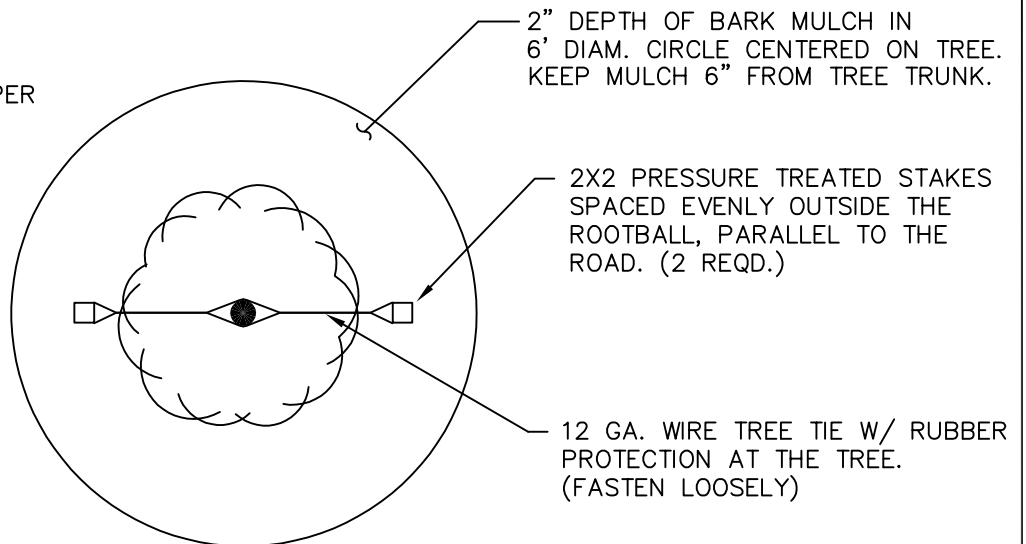
CITY OF YELM DEPT. OF PUBLIC WORKS			
ROCK WALL			
APPROVED			DWG. NO.
PUBLIC WORKS DIRECTOR		DATE	2-18
DES. S-C	DWN. S-C	CKD. S-C	DATE 10/3/94



FOR USE WHEN TREE IS WITHIN 6' OF CURB AND/OR SIDEWALK

STREET TREE SPECIFICATIONS:

1. TREES SHALL BE 2" TO 3" CALIPER MEASURED 6" ABOVE THE BASE.
2. TREES SHALL HAVE A MINIMUM 6 FOOT FREE-OF-BRANCH CLEARANCE, MEASURED FROM THE GROUND LINE TO THE FIRST BRANCH.
3. TREES SHALL BE SPACED 35 FEET ON CENTER STARTING 15 FEET FROM THE PROPERTY LINE.

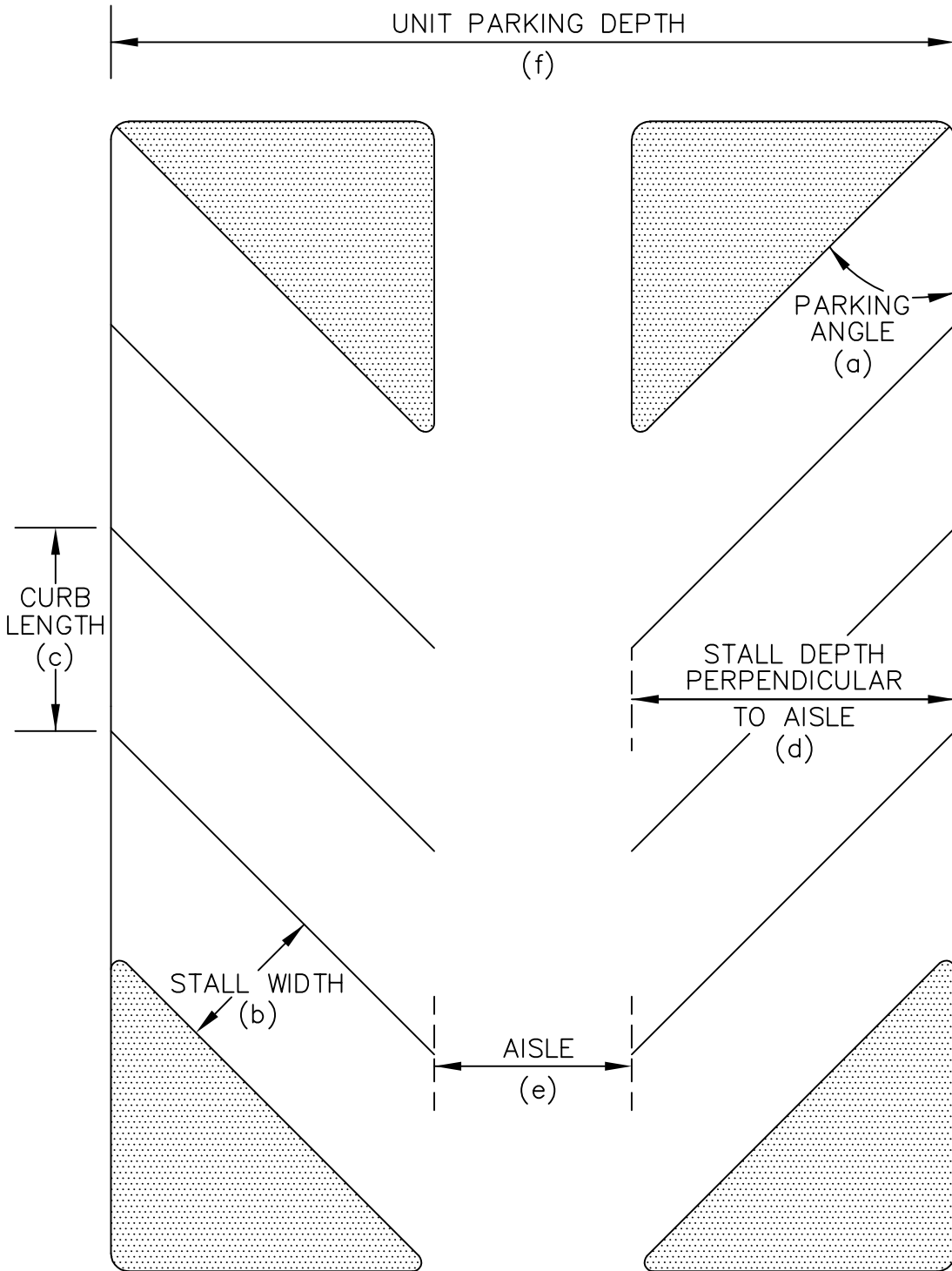


FOR USE WHEN TREE IS NOT WITHIN 6' OF CURB AND/OR SIDEWALK

NOTES:

1. THE GEOTEXTILE ROOT CONTROL SYSTEM SHALL BE 12 INCH BIOBARRIER STRIPS, OR APPROVED EQUAL.
2. WIRE TREE TIE SHALL BE 42" ABOVE THE GROUND
3. FINISH GRADE FOR BARK MULCH SHALL BE 1 TO 2 INCHES BELOW SURROUNDING GRADE

CITY OF YELM DEPT. OF PUBLIC WORKS			
STREET TREE			
APPROVED			DWG. NO.
PUBLIC WORKS DIRECTOR		DATE	2-19
DES.	DWN.	CKD.	DATE
S-C	S-C	S-C	10/3/94.



CITY OF YELM DEPT. OF PUBLIC WORKS			
NOMENCLATURE OF OFF-STREET PARKING AREA			
APPROVED			DWG. NO.
CITY ENGINEER		DATE	2-21
DES.	DWN.	CKD.	DATE
S-C	S-C	S-C	12/2/95

JEG

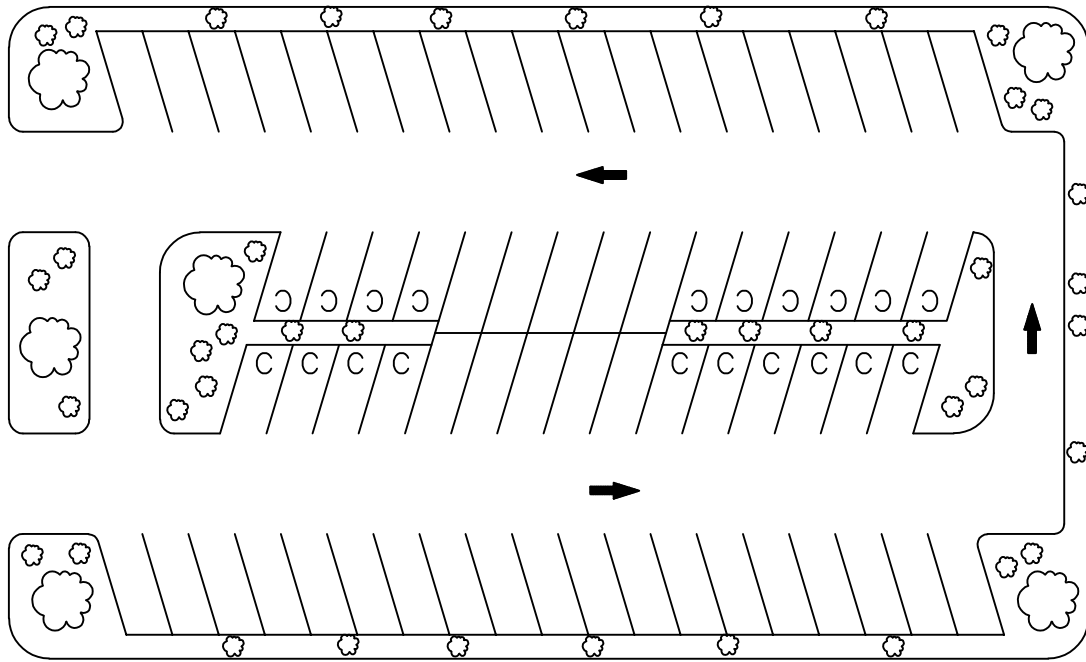
A	B	C	D	E		F	
PARKING ANGLE	STALL WIDTH	CURB LENGTH	STALL DEPTH	1-WAY AISLE WIDTH	2-WAY AISLE WIDTH	1-WAY UNIT DEPTH	2-WAY UNIT DEPTH
0	8.0*	20.0*	8.0*	12.0	20.0	**	**
	Min. 8.5	22.5	8.5	12.0	20.0	29.0	37.0
	Desired 9.0	22.5	9.0	12.0	20.0	30.0	38.0
30	8.0*	16.0*	15.0*	10.0	20.0	**	**
	Min. 8.5	17.0	16.5	10.0	20.0	43.0	53.0
	Desired 9.0	18.0	17.0	10.0	20.0	44.0	54.0
45	8.0*	11.5*	17.0*	12.0	20.0	**	**
	Min. 8.5	12.0	19.0	12.0	20.0	50.0	58.0
	Desired 9.0	12.5	19.5	12.0	20.0	51.0	59.0
60	8.0*	9.5*	18.0*	18.0	20.0	**	**
	Min. 8.5	10.0	20.0	18.0	20.0	58.0	60.0
	Desired 9.0	10.5	21.0	18.0	20.0	60.0	62.0
90	8.0*	8.0*	16.0*	23.0	23.0	**	**
	Min. 8.5	8.5	20.0	23.0	23.0	63.0	63.0
	Desired 9.0	9.0	20.0	23.0	23.0	63.0	63.0

* FOR COMPACT STALL ONLY

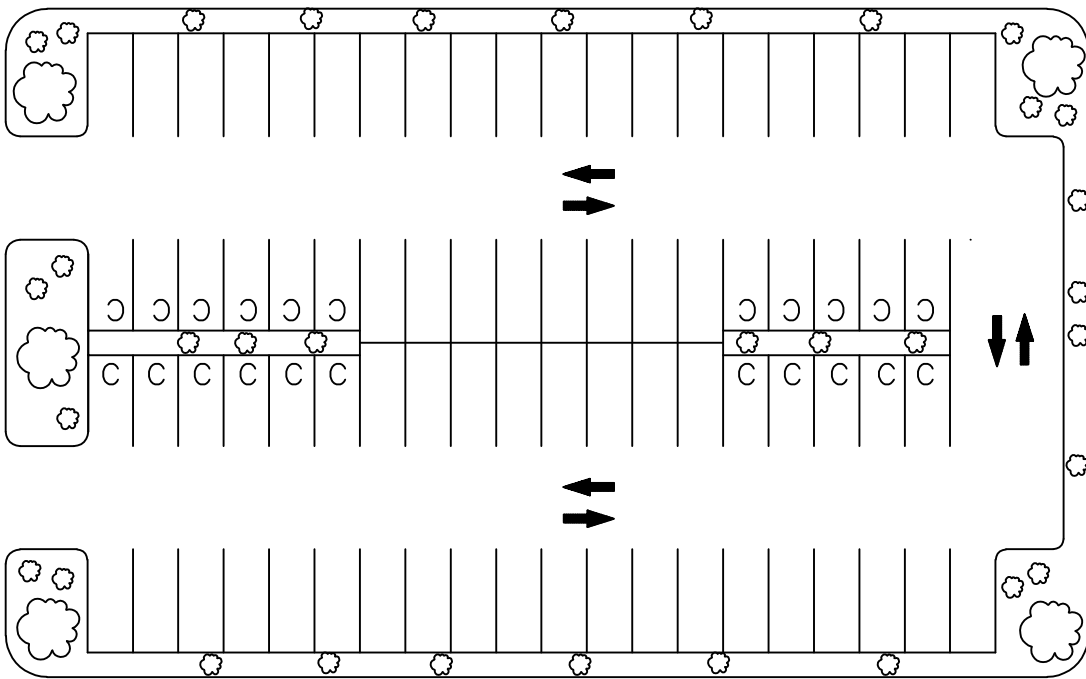
** VARIABLE WITH COMPACT AND STANDARD COMBINATIONS

CITY OF YELM DEPT. OF PUBLIC WORKS			
MOST COMMON MINIMUM PARKING AREA DIMENSIONS			
APPROVED			DWG. NO.
CITY ENGINEER		DATE	2-22
DES. S-C	DWN. S-C	CKD. S-C	DATE 12/2/95

JEG



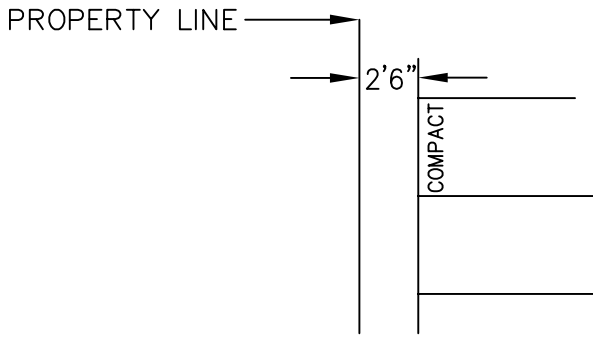
45°
ONE-WAY



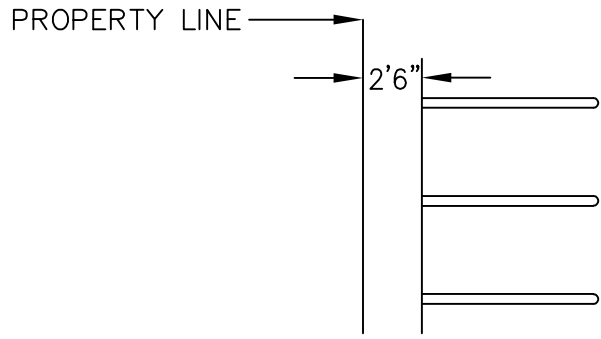
90°
TWO-WAY

CITY OF YELM DEPT. OF PUBLIC WORKS			
EXAMPLES OF OFF-STREET PARKING			
APPROVED			DWG. NO.
CITY ENGINEER		DATE	2-23
DES.	DWN.	CKD.	DATE
S-C	S-C	S-C	12/2/95

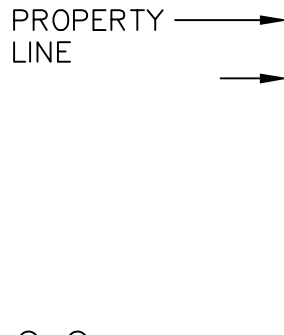
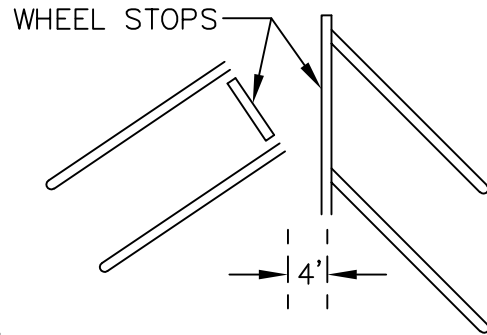
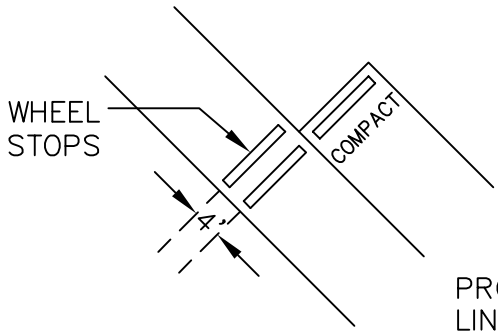
JEG



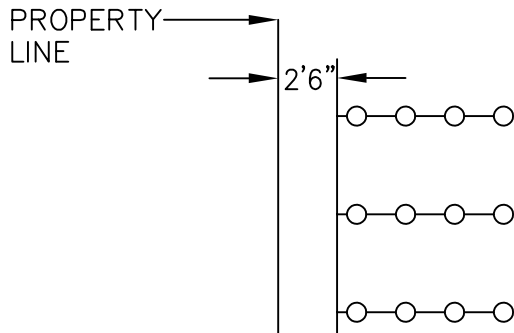
COMPACT MARKING



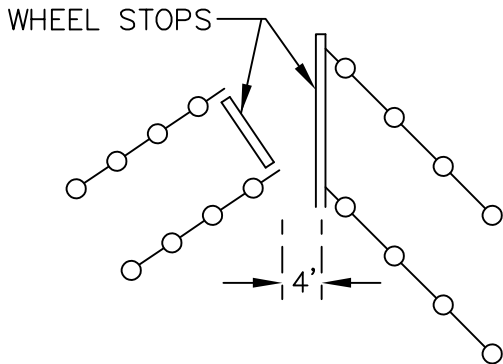
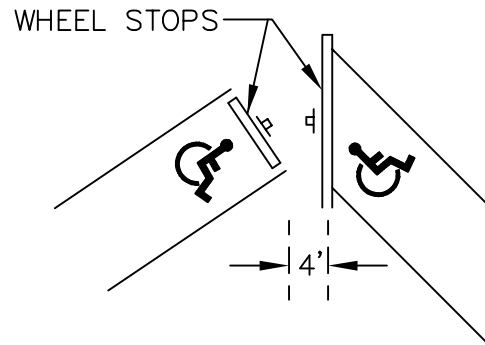
PAINTED HORSESHOE MARKING



HANDICAP MARKING



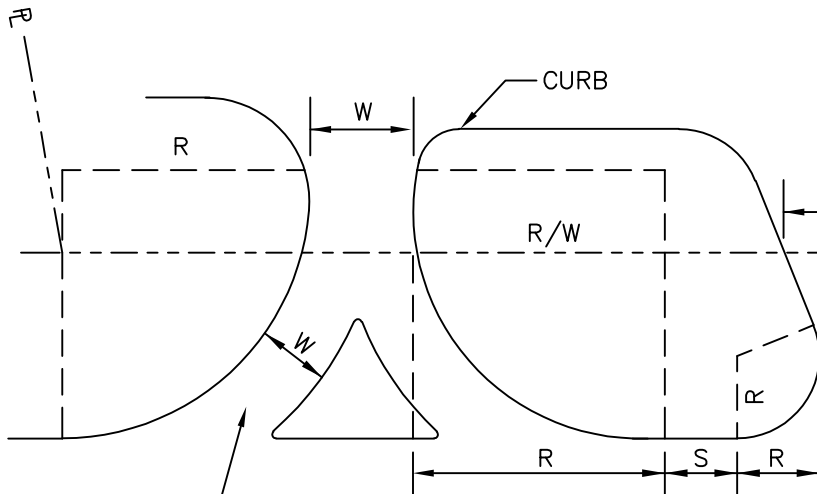
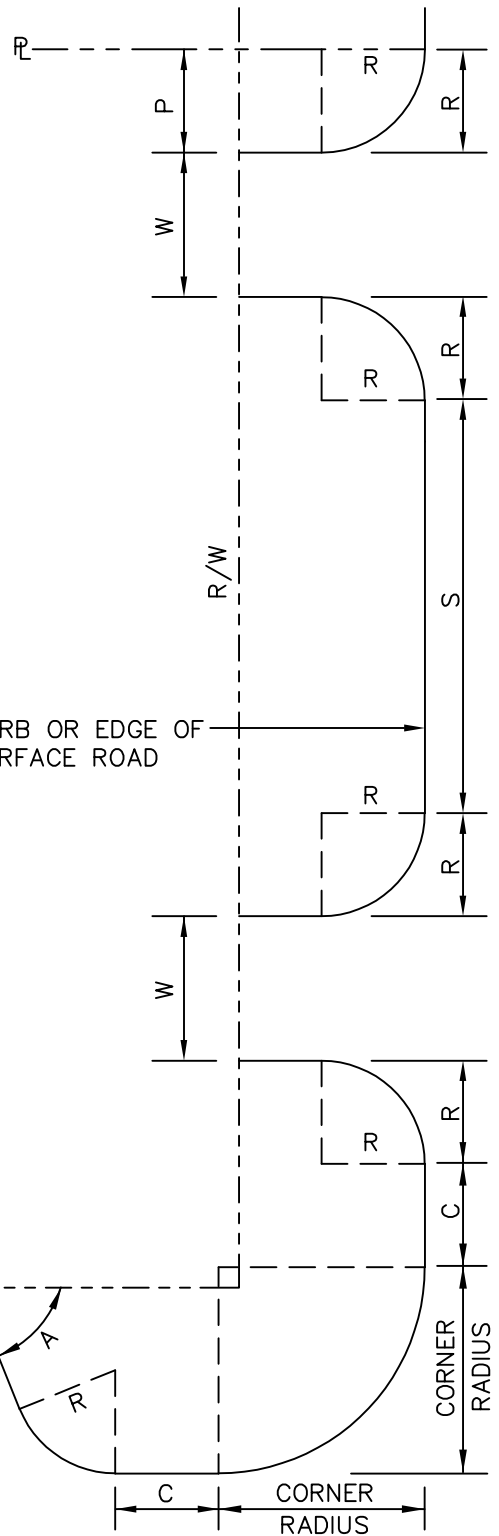
METAL OR PLASTIC TRAFFIC MARKING



CITY OF YELM DEPT. OF PUBLIC WORKS			
STALL MARKINGS AND WHEEL STOP LOCATIONS			
APPROVED			DWG. NO.
CITY ENGINEER			DATE
DES.	DWN.	CKD.	DATE
S-C	S-C	S-C	12/2/95

RECOMMENDED BASIC DRIVEWAY DIMENSION GUIDELINES				
	DIMENSION REFERENCE	RESIDENTIAL	COMMERCIAL	INDUSTRIAL
MINIMUM LENGTH OF DRIVEWAY APPROACH 20' (RESIDENTIAL ONLY)				
NOMINAL WIDTH	W			
ONE-WAY		10	15	20
TWO-WAY		10	30	40
RIGHT TURN RADIUS MINIMUM	R	5	15	20
MINIMUM SPACING				
FROM PROPERTY LINE	P	0	0	-R
FROM STREET CORNER	C	5	10	10
BETWEEN DRIVEWAYS	S	3	3	10
MINIMUM ANGLE	A	40°	45°	30°

NOTE: MINIMUMS BASED ON LOCAL ACCESS AND LOW VOLUMES



IF ISLAND 50 SQ.FT. OR GREATER

CITY OF YELM DEPT. OF PUBLIC WORKS			
DRIVEWAY DIMENSIONS MEASUREMENTS			
APPROVED			DWG. NO.
PUBLIC WORKS DIRECTOR		DATE	2-25
DES.	DWN.	CKD.	DATE
S-C	S-C	S-C	2/3/95